

SMART TABLE[®] 442i COLLABORATIVE LEARNING CENTER - ASSY, OPTICAL FRAME, DISPLAY PANEL & SUPPORT FRAME ASSY

NOTES:

These drawings are for outline and installation purposes only.

Any retrofit/custom fit of the touch module in the configuration shown in this document will not comply with the water protection and exposed cable safety regulations accredited to the plastic encased variation, (SMART P/N 6006219). The end user is required to ensure that any custom housing meets the requirements.

All dimensions are given in millimeters.

Dimensions are subject to change without notice.

General tolerances unless otherwise stated +/- 3mm

NOTE: DO NOT SCALE

The contents of this document are compiled from a variety of documents to provide a consolidated view of key criteria. Should there be any information you need that is not adequately captured in either this document or the related documents, please contact us at ecosystem@smarttech.com for assistance.

This document is uncontrolled at the time of printing. Please ensure you are using the latest revision available at sen.smarttech.com

UNIT WEIGHT: 40Kg



3636 Research Road NW
Calgary, Alberta T2L 1Y1
CANADA

© 2012 SMART Technologies ULC.
All rights reserved.
The SMART logo, smarttech and all SMART taglines are trademarks or registered trademarks of SMART Technologies ULC in the U.S. and/or other countries.

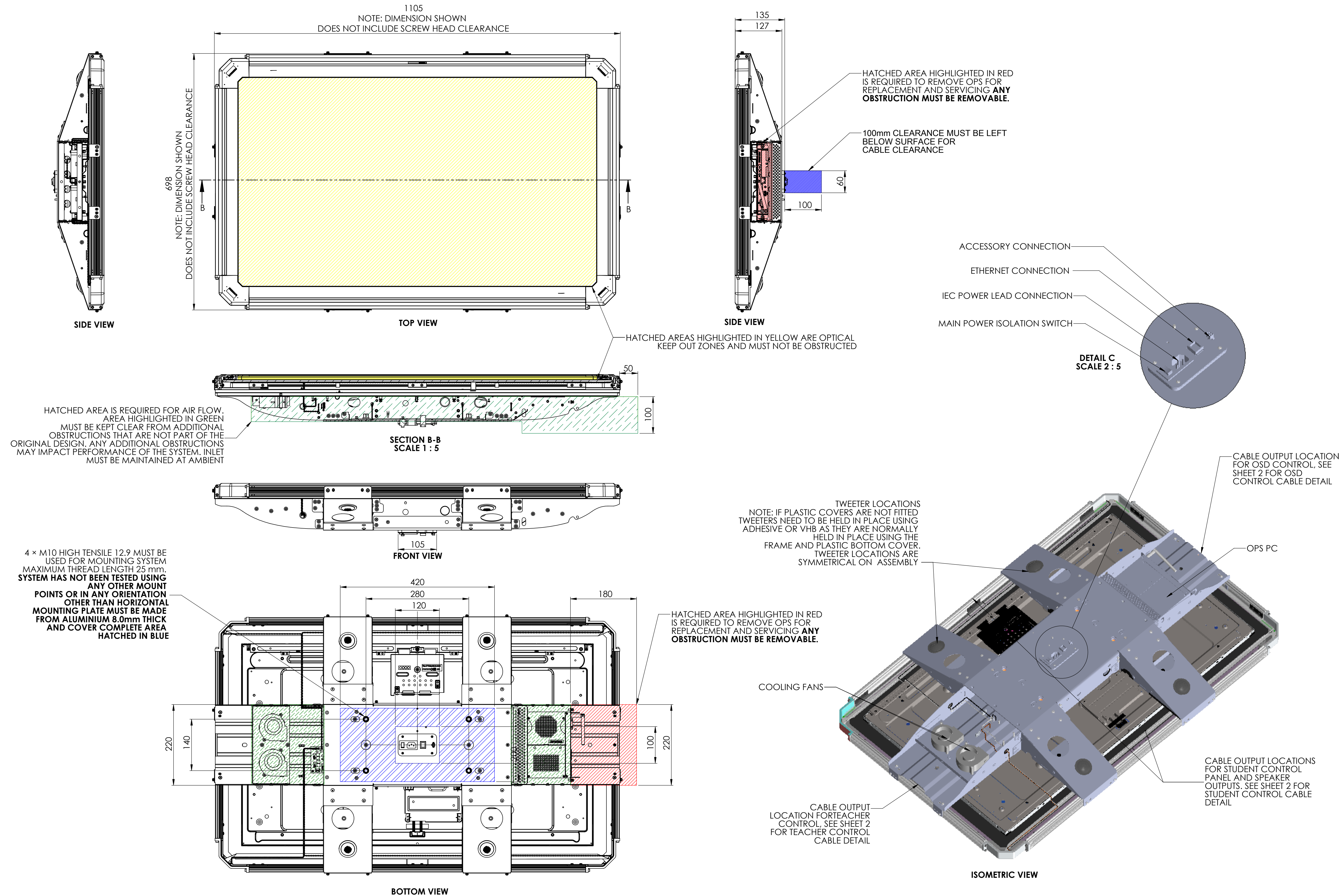
This product and/or use thereof covered by one or more of the following U.S. patents.

www.smarttech.com/patents

Page: 1 OF 2

Description: ECOSYSTEM DRAWING 442i COLLABORATIVE LEARNING CENTER - ASSY, OPTICAL FRAME, DISPLAY PANEL & SUPPORT FRAME ASSY

Drawing Number: 6006879 Revision: 01



SMART TABLE 442i COLLABORATIVE LEARNING CENTER - ASSY, OPTICAL FRAME, DISPLAY PANEL & SUPPORT FRAME ASSY

These drawings are for outline and installation purposes only.

All dimensions are given in millimeters.

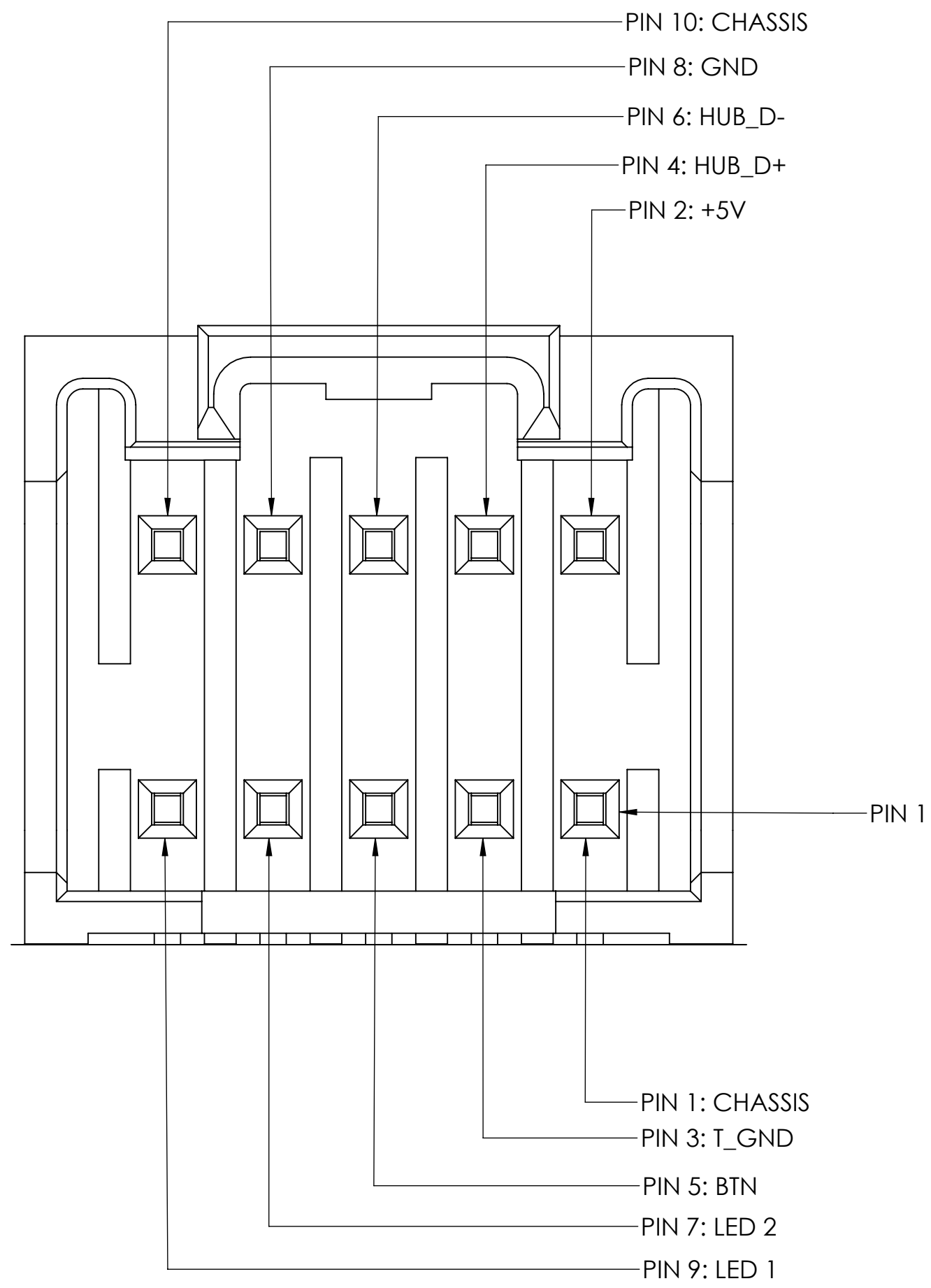
Dimensions are subject to change without notice.

General tolerances unless otherwise stated +/- 3mm

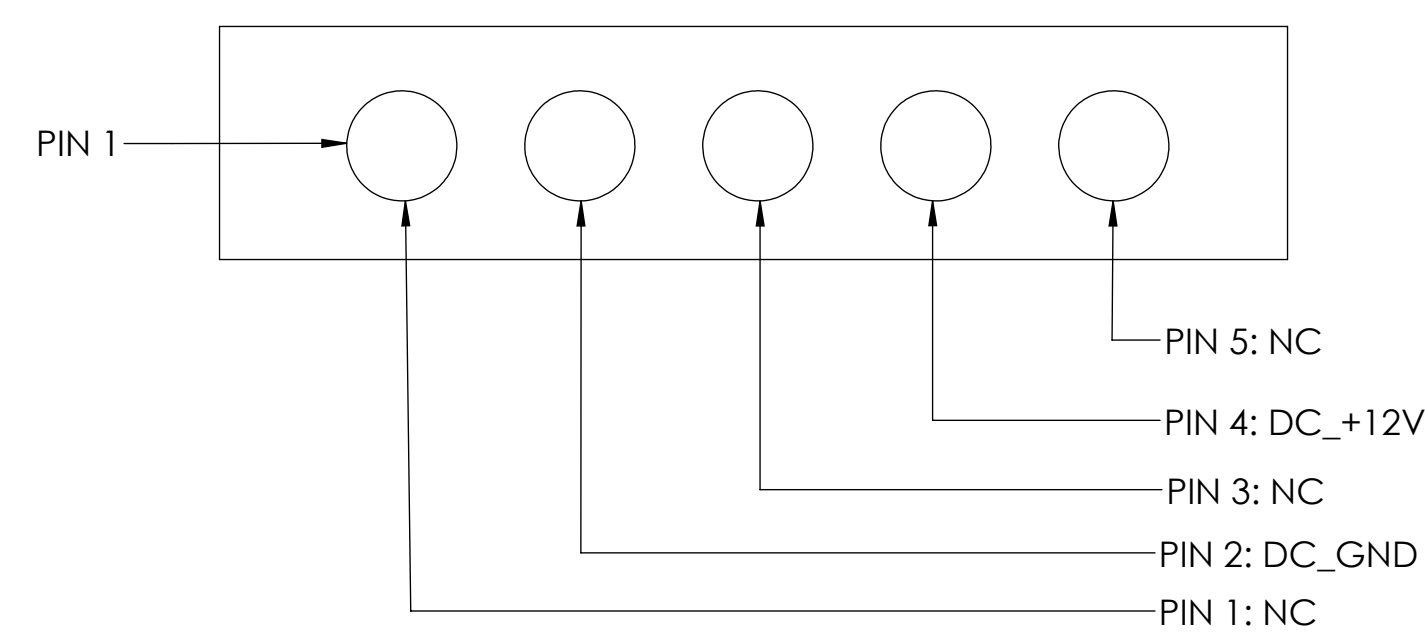
NOTE: DO NOT SCALE

The contents of this document are compiled from a variety of documents to provide a consolidated view of key criteria. Should there be any information you need that is not adequately captured in either this document or the related documents, please contact us at ecosystem@smarttech.com for assistance.

This document is uncontrolled at the time of printing. Please ensure you are using the latest revision available at sen.smarttech.com



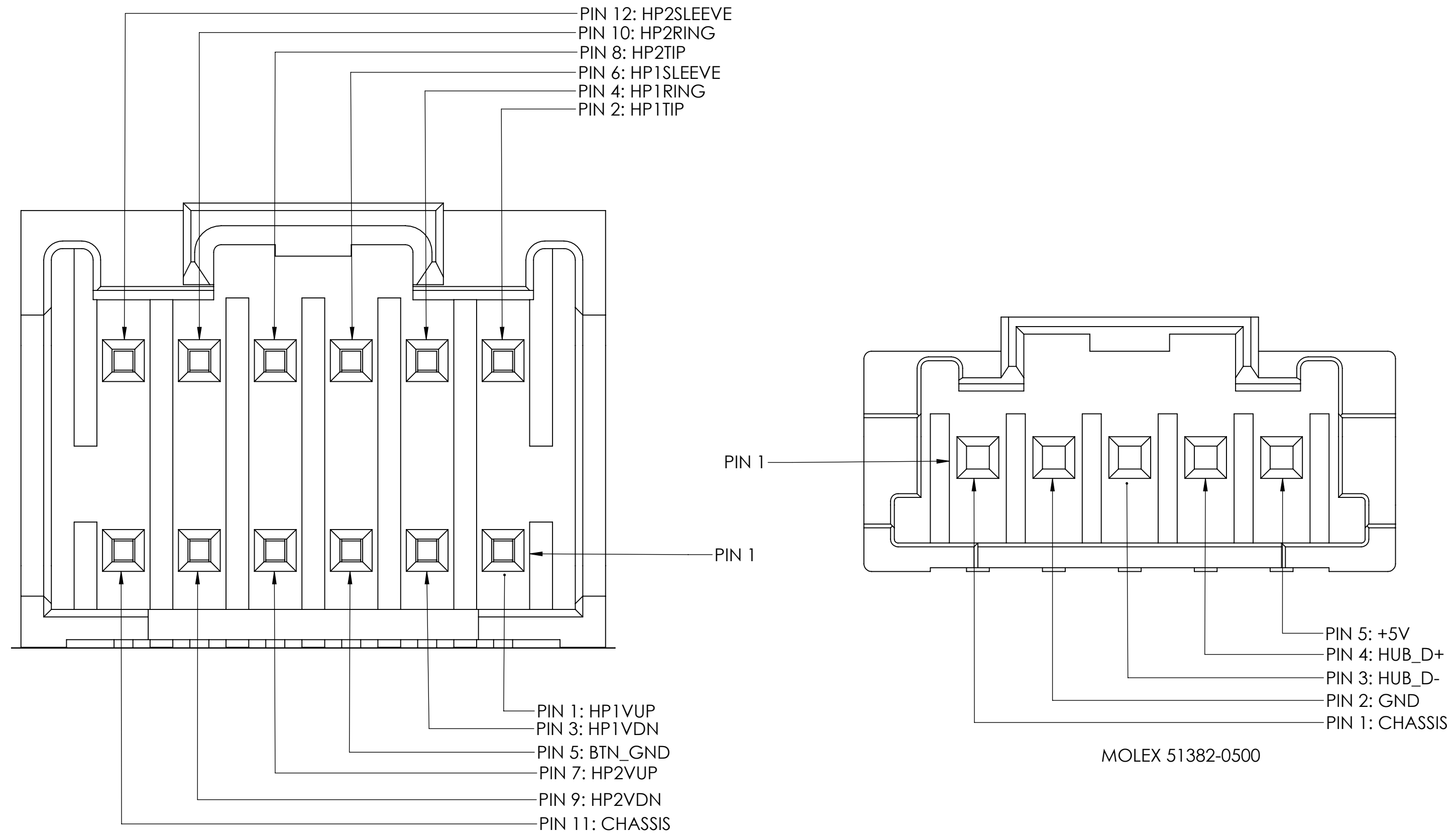
MOLEX 51353-1000



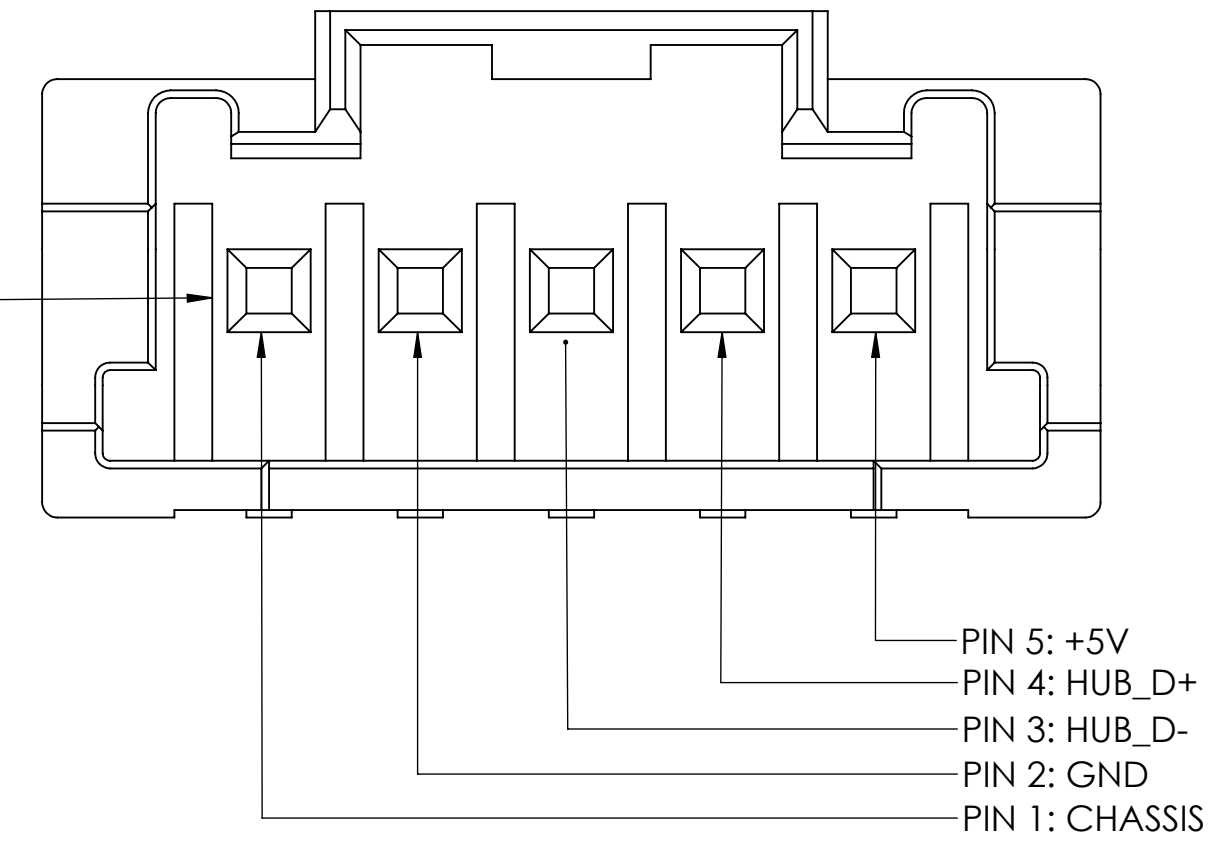
YEONHO SMH200-04

TEACHER CONTROL

NOTE: ALL CONNECTORS ARE VIEWED FROM FRONT FACE



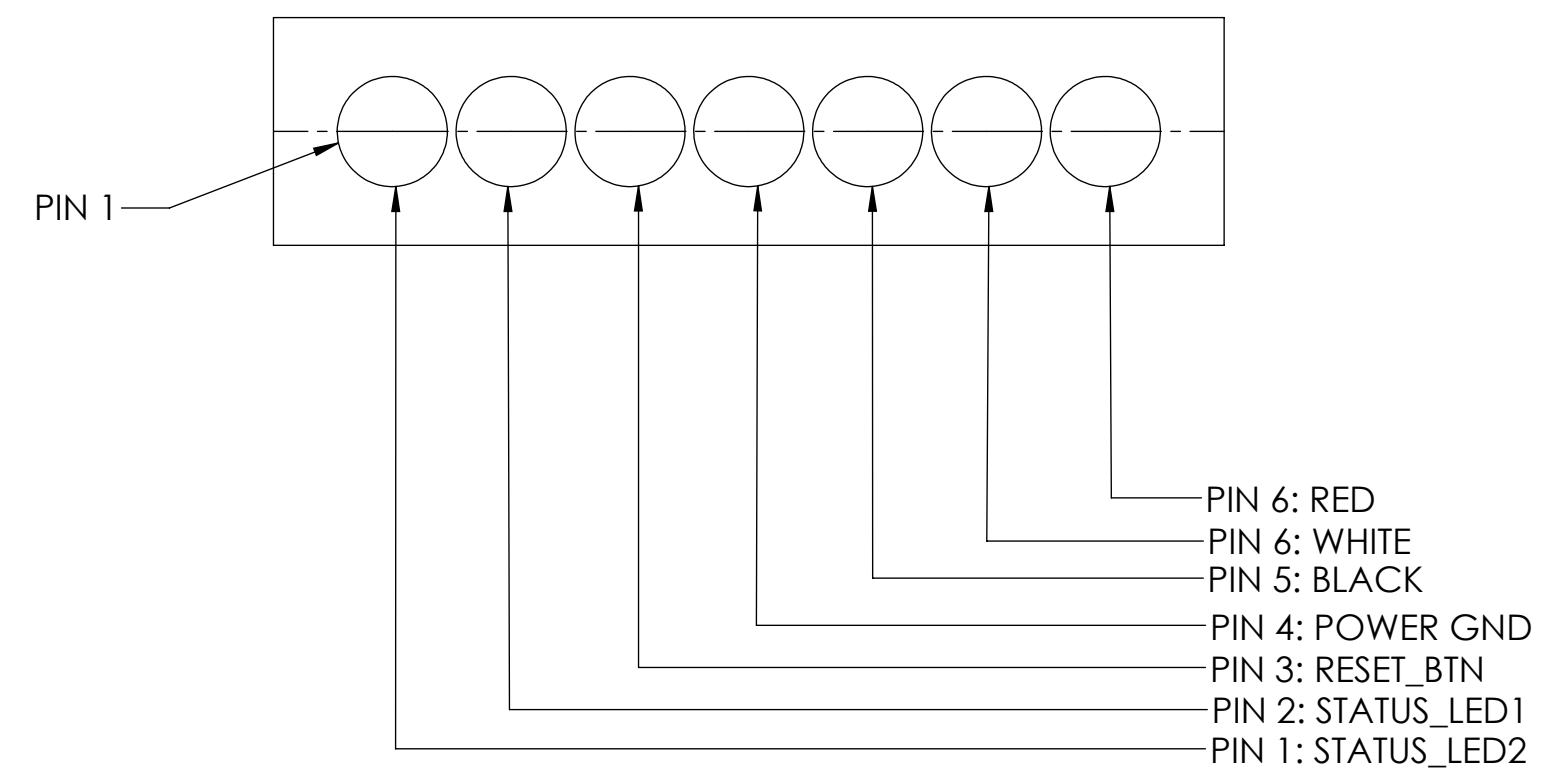
MOLEX 51353-1200



MOLEX 51382-0500

STUDENT CONTROL

NOTE: ALL CONNECTORS ARE VIEWED FROM FRONT FACE



YEONHO SMW200-07PL

OSD CONTROL

NOTE: ALL CONNECTORS ARE VIEWED FROM FRONT FACE



3636 Research Road NW
Calgary, Alberta T2L 1Y1
CANADA

© 2012 SMART Technologies ULC.
All rights reserved.
The SMART logo, smarttech and all SMART taglines are trademarks or registered trademarks of SMART Technologies ULC in the U.S. and/or other countries.

This product and/or use thereof covered by one or more of the following U.S. patents.

www.smarttech.com/patents

Page: 2 OF 2

Description: ECOSYSTEM DRAWING 442i COLLABORATIVE LEARNING CENTER - ASSY, OPTICAL FRAME, DISPLAY PANEL & SUPPORT FRAME ASSY

Drawing Number: 6006879

Revision: 01