

SMART Podium™ interactive pen display SP524

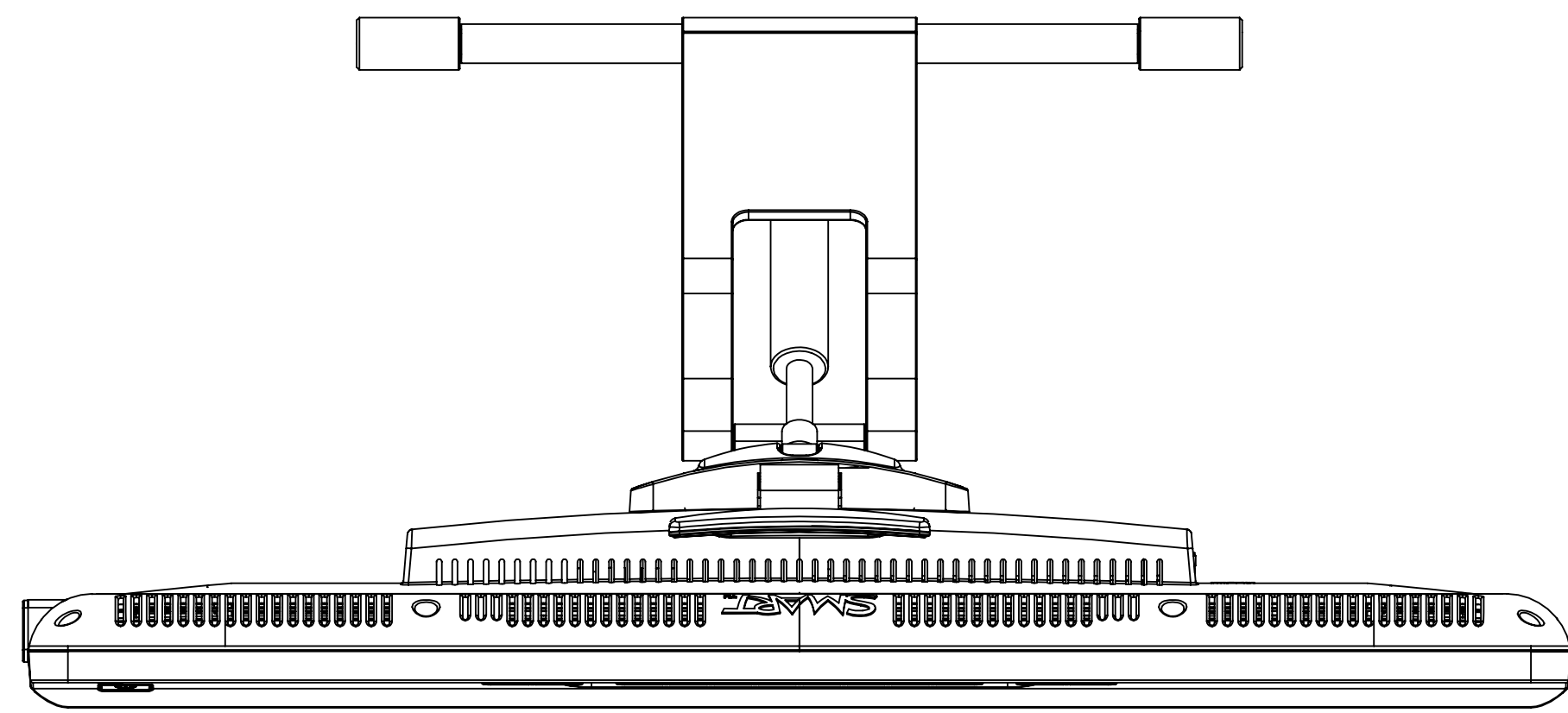
These drawings are for outline and installation purposes only.

All dimensions are given in inches (millimeters).

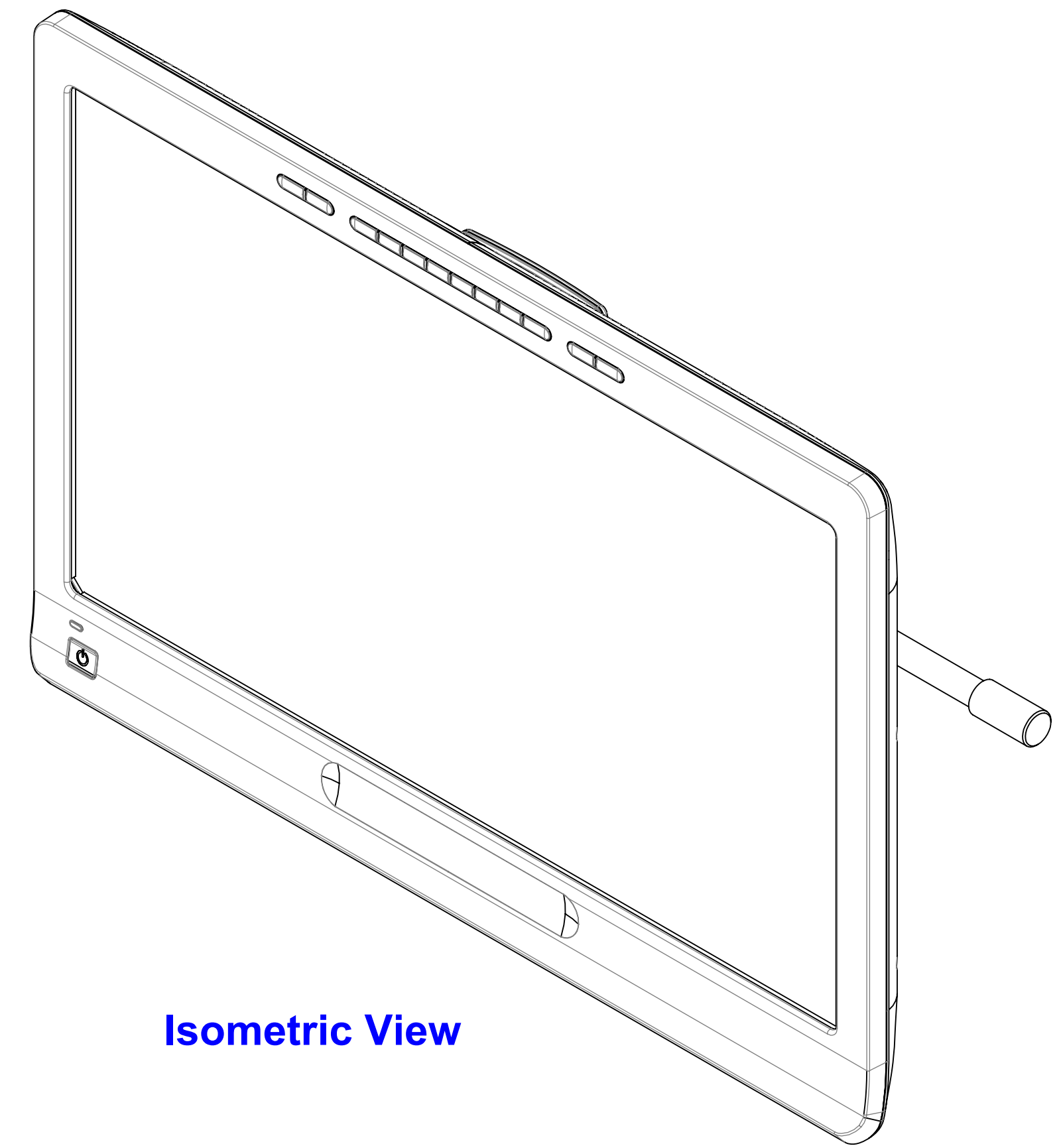
Dimensions are subject to change without notice.

All dimensions +/-1/8 (3mm)

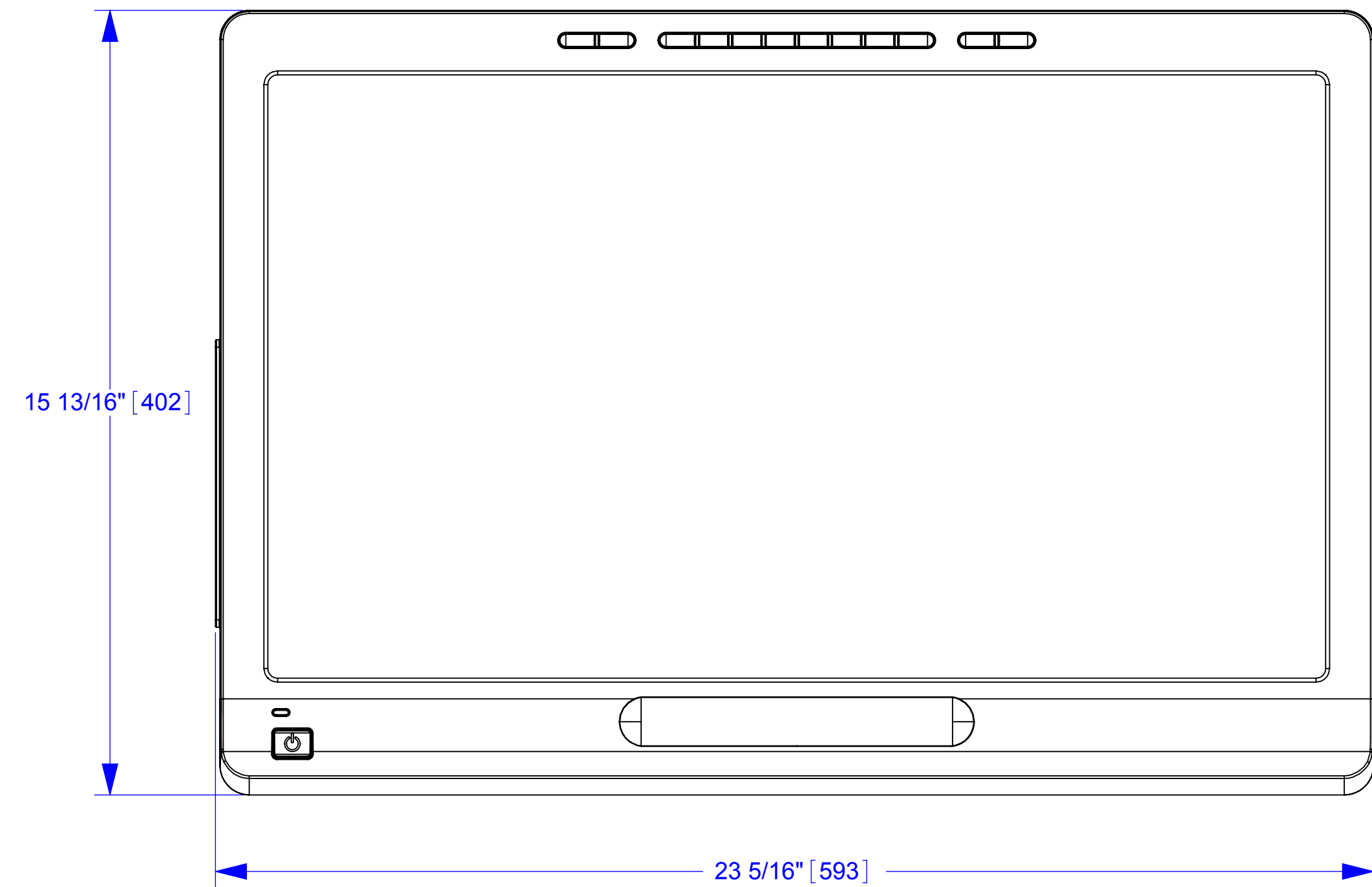
NOTE: DO NOT SCALE



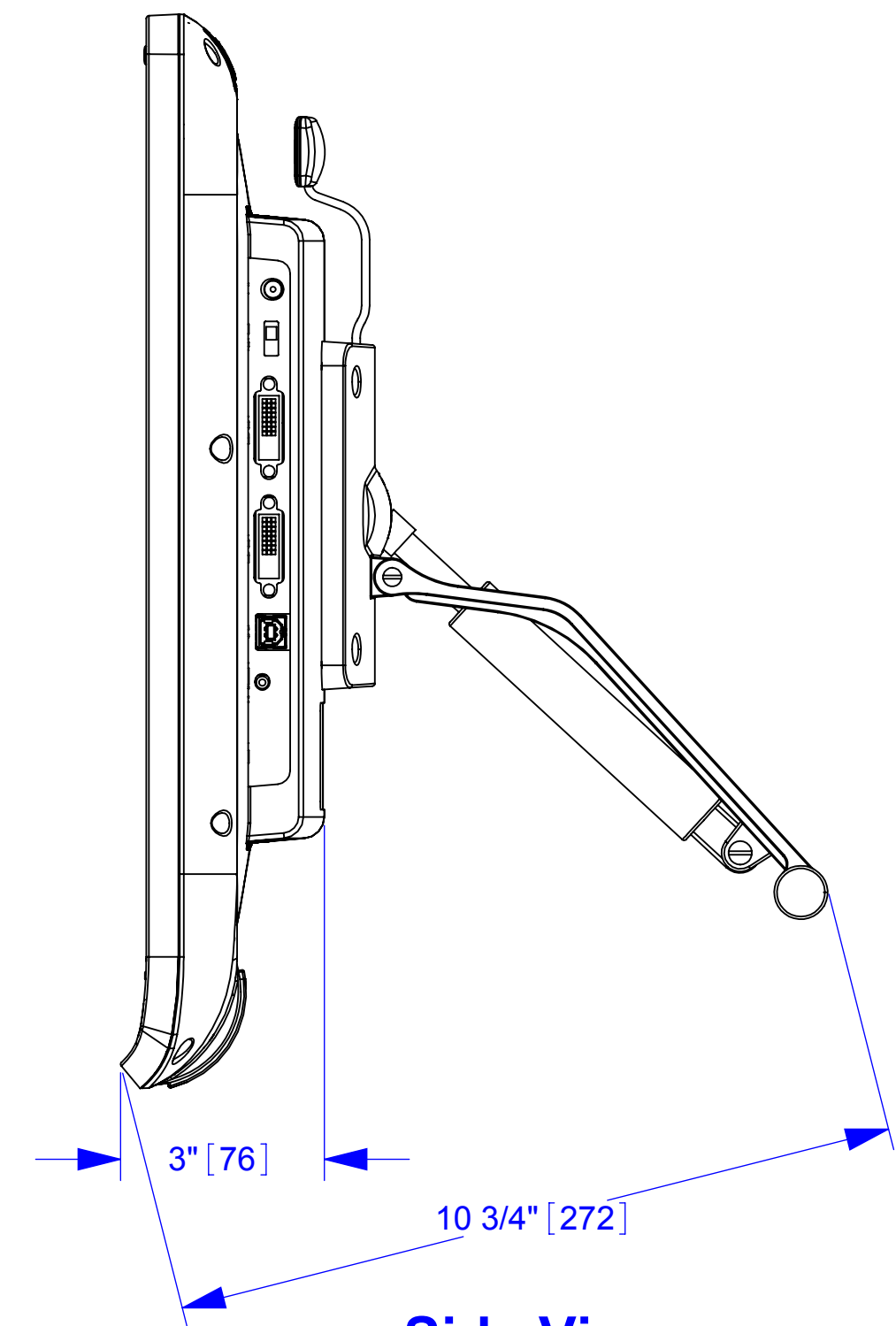
Top View



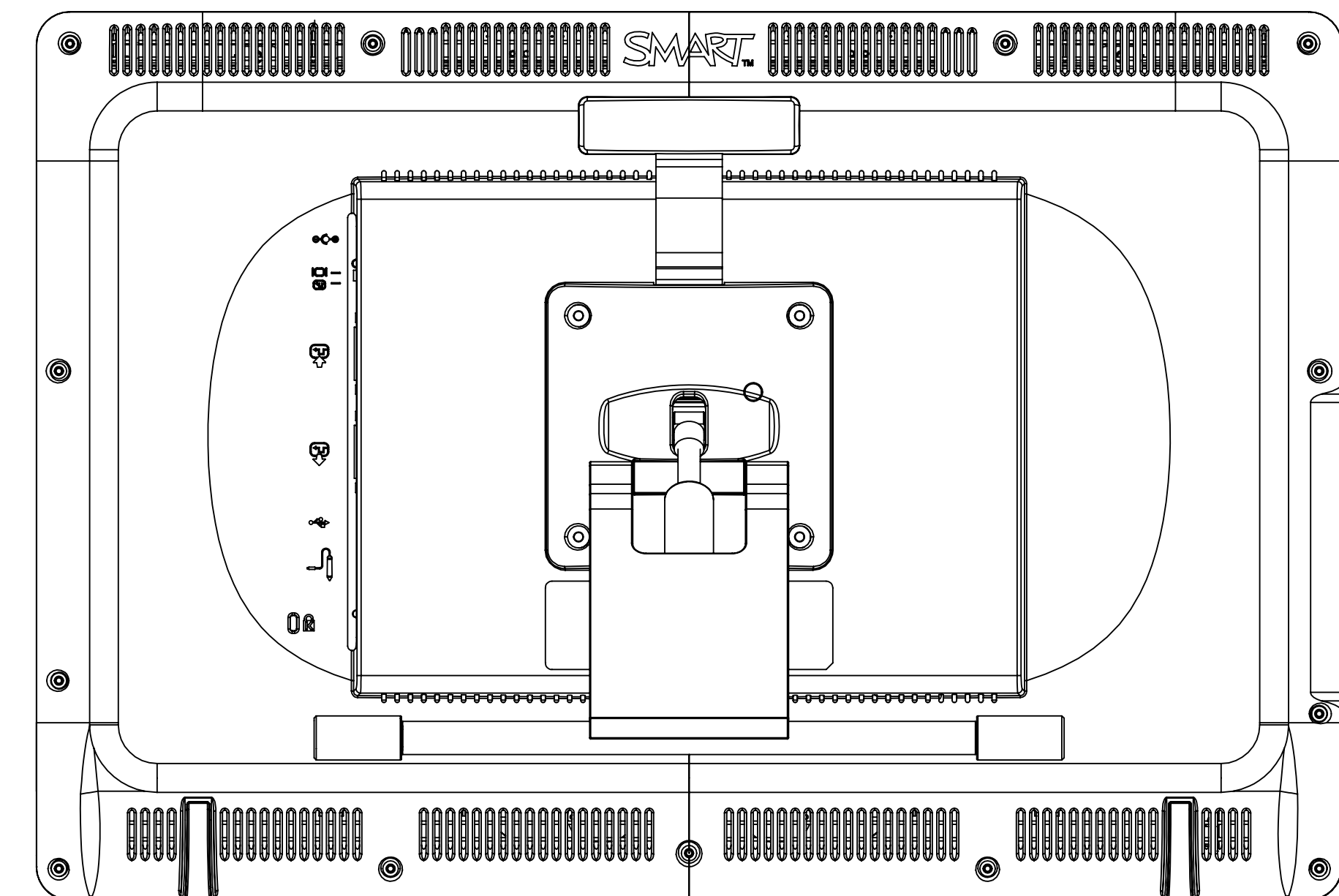
Isometric View



Front View



Side View



Back View



3636 Research Road NW
Calgary, Alberta T2L 1Y1
CANADA

www.smarttech.com/support
www.smarttech.com/contactsupport

© 2011 SMART Technologies ULC.
All rights reserved.
The SMART logo, smarttech and all SMART taglines are trademarks or registered trademarks of SMART Technologies ULC in the U.S. and/or other countries.
Patent No. US6320597; US6320594; US6741267; US7151533; US7757001; US7932899; USD612396; USD616462; USD617332; USD636784; US5317140; US6563491; US6803906; US6919880; US6954197; US7184030; US7236162; US7289113; US7619617; US7692625; CA2386094; EP1297488; EP1739528; ES2279823; ZL0181236.0; DE60124549
Other patents pending. 08/2011.