

Specifications

SMART Podium™ interactive pen display

Models SP518-NB and SP518-SMP

Physical specifications

Size

18 3/8" W × 13" H × 3" D
(46.7 cm × 33 cm × 7.6 cm)

With adjustable stand

18 3/8" W × 12 5/8" H × 11 3/4" D
(46.7 cm × 32.1 cm × 29.8 cm)
(highest position)

Display area

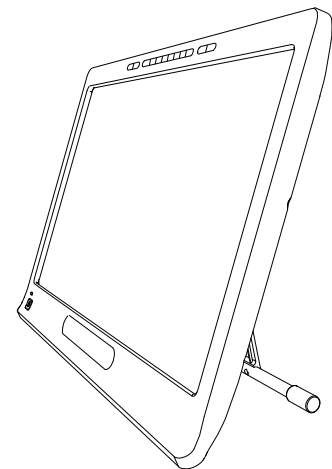
16 1/2" W × 9 1/2" H
(41.9 cm × 24.1 cm)
18 1/2" (47 cm) diagonal

Weight with adjustable stand

12 lb. (5.4 kg)

Weight without adjustable stand

10 lb. (4.5 kg)



All dimensions +/- 1/8" (0.3 cm). All weights +/- 2 lb. (0.9 kg).

Shipping weight

20 lb. 14 oz. (9.5 kg)

Shipping size

21 7/8" W × 17 3/8" H × 10 2/8"
(55.2 cm × 43.5 cm × 25.9 cm)

Standard features

System requirements

Supports Windows® operating systems and Mac OS operating system software. See smarttech.com/support for a complete list of system requirements.

SP518-NB

A DVD is included with your interactive pen display that contains SMART Notebook™ collaborative learning software and SMART Product Drivers. Install the software and then register the interactive pen display at smarttech.com/registration to receive the product keys you need to activate the software.

SPECIFICATIONS

SMART Podium interactive pen display – Models SP518-NB and SP518-SMP

SP518-MP

The registration document in your product packaging includes instructions for registering your product online, which enables you to download and activate SMART Meeting Pro™ software and SMART Product Drivers.

HDCP

Revision 1.3 Compliant

Smooth Tilt Stand

Enables you to adjust the incline angle of the interactive pen display from a minimum position of 60° from vertical to a maximum position of 17.5° from vertical.

Mount

Standard VESA® 100 mm rear mounting plate

Cables

A DVI-D to DVI-D cable, a VGA to DVI-A cable and a USB-A to USB-B cable are included to connect your interactive pen display to your computer. A country-specific AC power cable to connect your interactive pen display to the power supply adapter is also included. You must provide the appropriate cables to connect your product to additional devices.

Power supply

Input

100V–240V AC, 50 Hz or 60 Hz

Output

12V DC, 5A, 60 W maximum

Power management

The interactive pen display features an Energy Save mode. In this mode, the interactive pen display shuts off when it remains idle for the length of time you specify. You can then turn it on by pressing the power button.

Regulatory certification

CB, CE, C-Tick, KC, FCC, NOM, UL, GOST-R, PSB, IRAM, TUV-GS, SASO

Environmental compliance

EU Packaging, RoHS (Europe), Packaging, WEEE

Warranty

Your interactive pen display has a two-year limited warranty. For details, see the warranty document included in the product packaging.

Interactive pen display features

Screen

a-Si TFT active-matrix LCD display

Digitizing technology

DViT® (Digital Vision Touch) technology

Communication interface

USB 2.0 (high speed)

Aspect ratio

Native 16:9 ratio. Supports 4:3 and 16:10 ratios with scaling.

Resolution

720p (1366 × 768)

Color depth

16.8 million

Synchronization range

Vertical: 56 Hz

Horizontal: 76 Hz

**IMPORTANT**

Some Mac computers transmit video signals outside the 56 Hz–76 Hz synchronization range. You are unable to use these models with the SMART Podium interactive pen display.

Contrast ratio

580:1 (typical)

Brightness

Luminance of 180 cd/m² (typical)

Viewing angle

Horizontal 170°

Vertical 160° (typical)

Input video signal

Analog 0.7 Vp-p positive at 75 ohms

Auto adjustment

Fewer than 2 seconds

Display response time

5 milliseconds black-white response (typical)

Illuminated buttons

The buttons on the frame are backlit for easy recognition. When you press the **Pen Color**, **Eraser** or **Select** button, the backlight brightens to indicate the active button.

Backlight life

30,000 hours (nominal)

Tethered pen

Infrared, battery-free, tethered pen with a comfort grip

Magnetic pen rest

When not in use, the pen conveniently rests in the magnetic pen tray on the frame.

Maximum pen report rate

150 points per second

Power button

Solid green when the system is on, flashing green when the system is starting up and amber when the system is idle.

SPECIFICATIONS

SMART Podium interactive pen display – Models SP518-NB and SP518-SMP

Status indicator light

Solid green when the system is communicating with SMART Product Drivers, flashing green when the system is in HID (mouse) mode and solid red when the interactive pen display isn't communicating with your computer.

Input/output interface

Video IN

DVI-I

Video OUT

DVI-I

USB B

USB 2.0 receptacle to connect the interactive pen display to your computer

USB A (×3)

USB 2.0 receptacle to connect a USB device such as a mouse, a keyboard or a USB drive.



NOTE

Prevent unauthorized data transfers by mechanically disabling the USB-A ports.

Security

Kensington® security slot

Storage and operating specifications

Storage temperature

14°F to 140°F (-10°C to 60°C) with 20% to 90% humidity, non-condensing

Operating temperature

41°F to 95°F (5°C to 35°C) with 20% to 80% humidity, non-condensing

SMART order numbers

SP518-NB

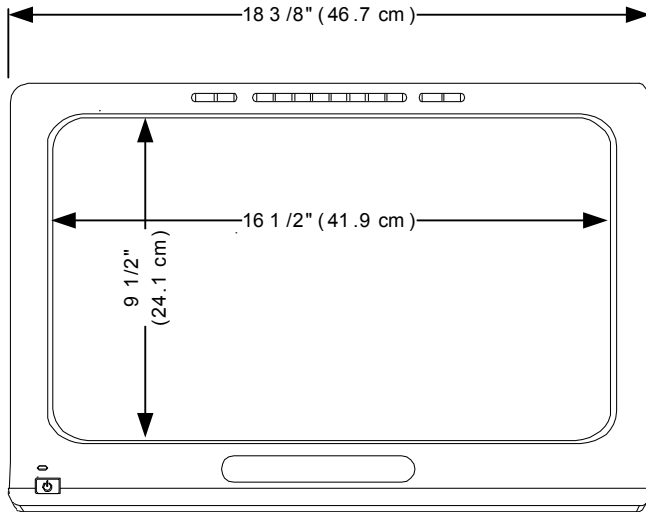
SMART Podium 518 interactive pen display with SMART Notebook software.

SP518-MP

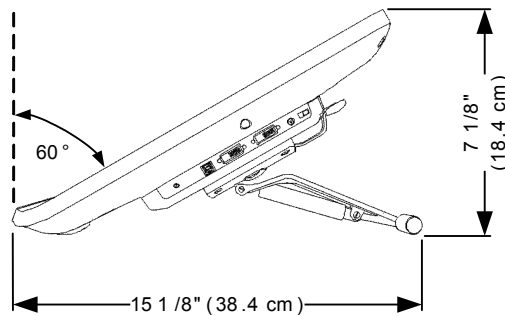
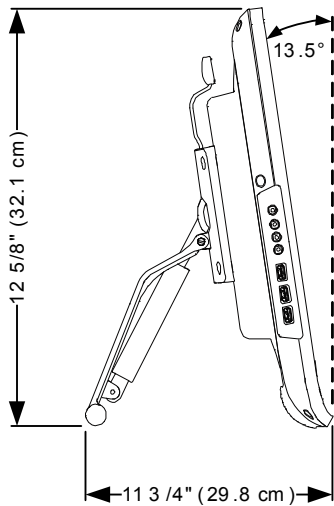
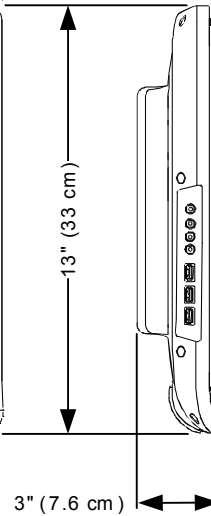
SMART Podium 518 interactive pen display with SMART Meeting Pro software.

Physical dimensions

Front view



**Side view
(without stand)**



Side views (with stand)

smarttech.com/support
smarttech.com/contactsupport

© 2011–2015 SMART Technologies ULC. All rights reserved. SMART Board, SMART Podium, SMART Notebook, SMART Meeting Pro, DVIT, smarttech, the SMART logo and all SMART taglines are trademarks or registered trademarks of SMART Technologies ULC in the U.S. and/or other countries. All third-party product and company names may be trademarks of their respective owners. This product and/or use thereof covered by one or more of the following U.S. patents. www.smarttech.com/patents. Contents are subject to change without notice. 03/2015.