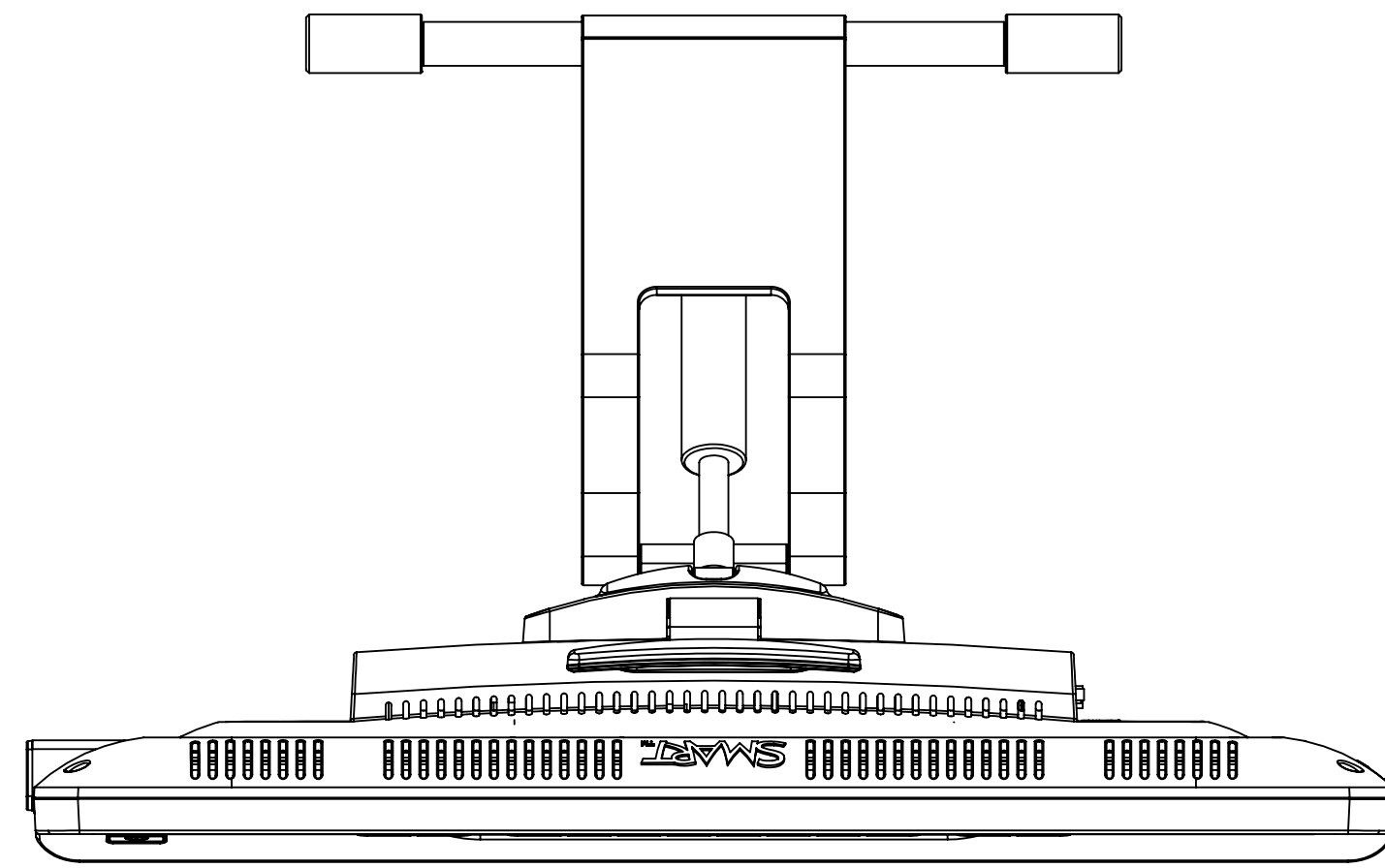
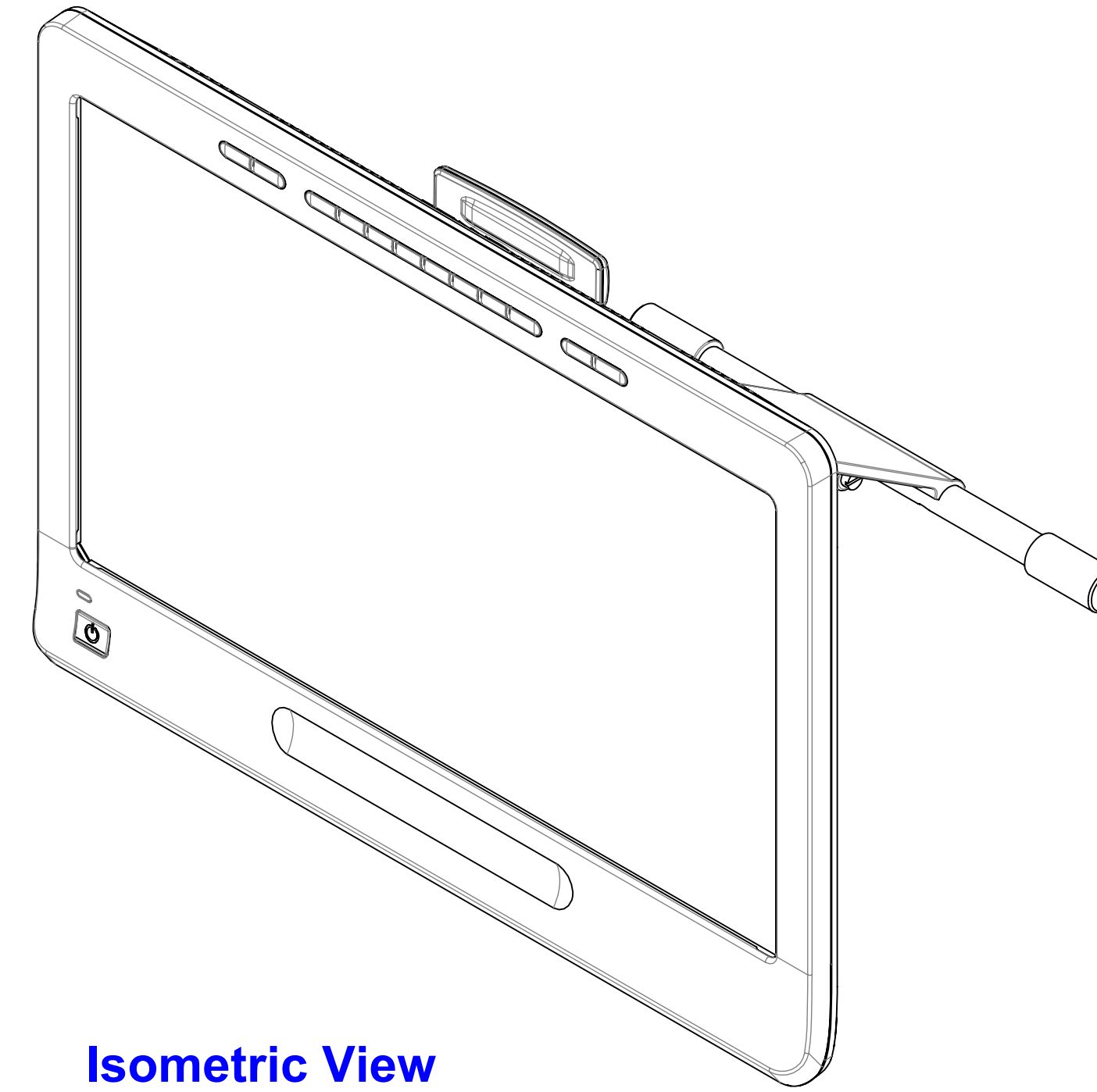


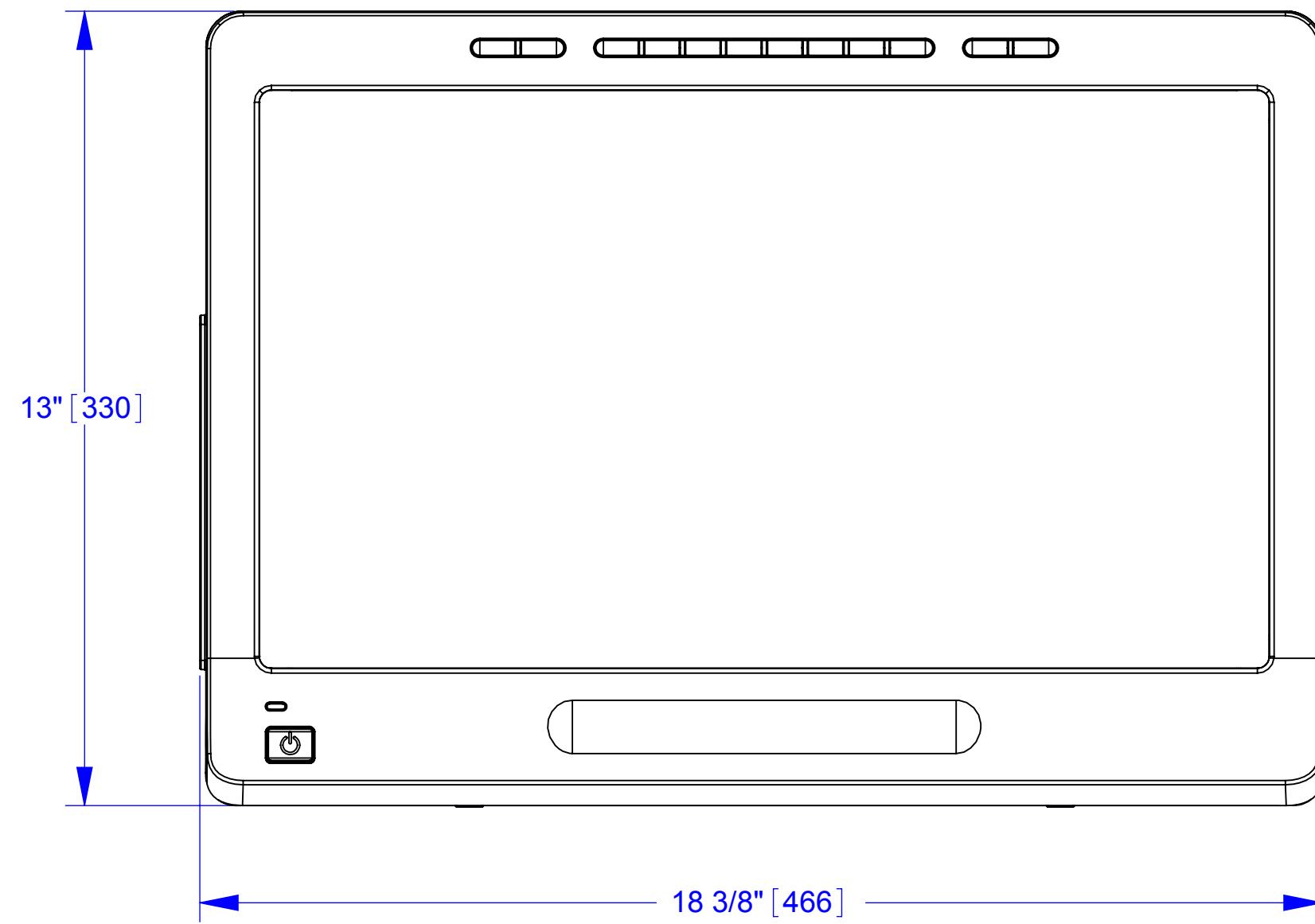
# SMART Podium™ interactive pen display SP518



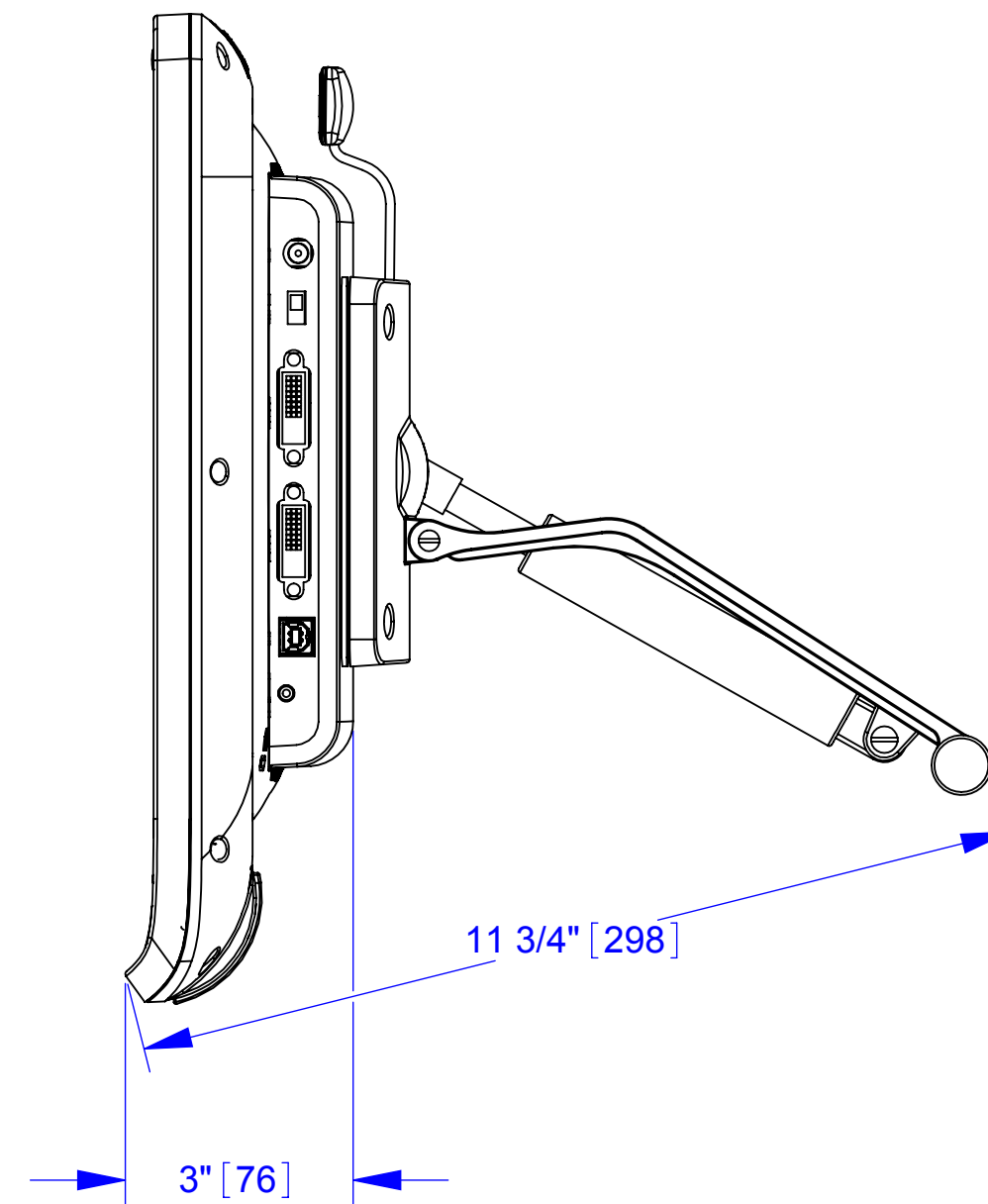
Top View



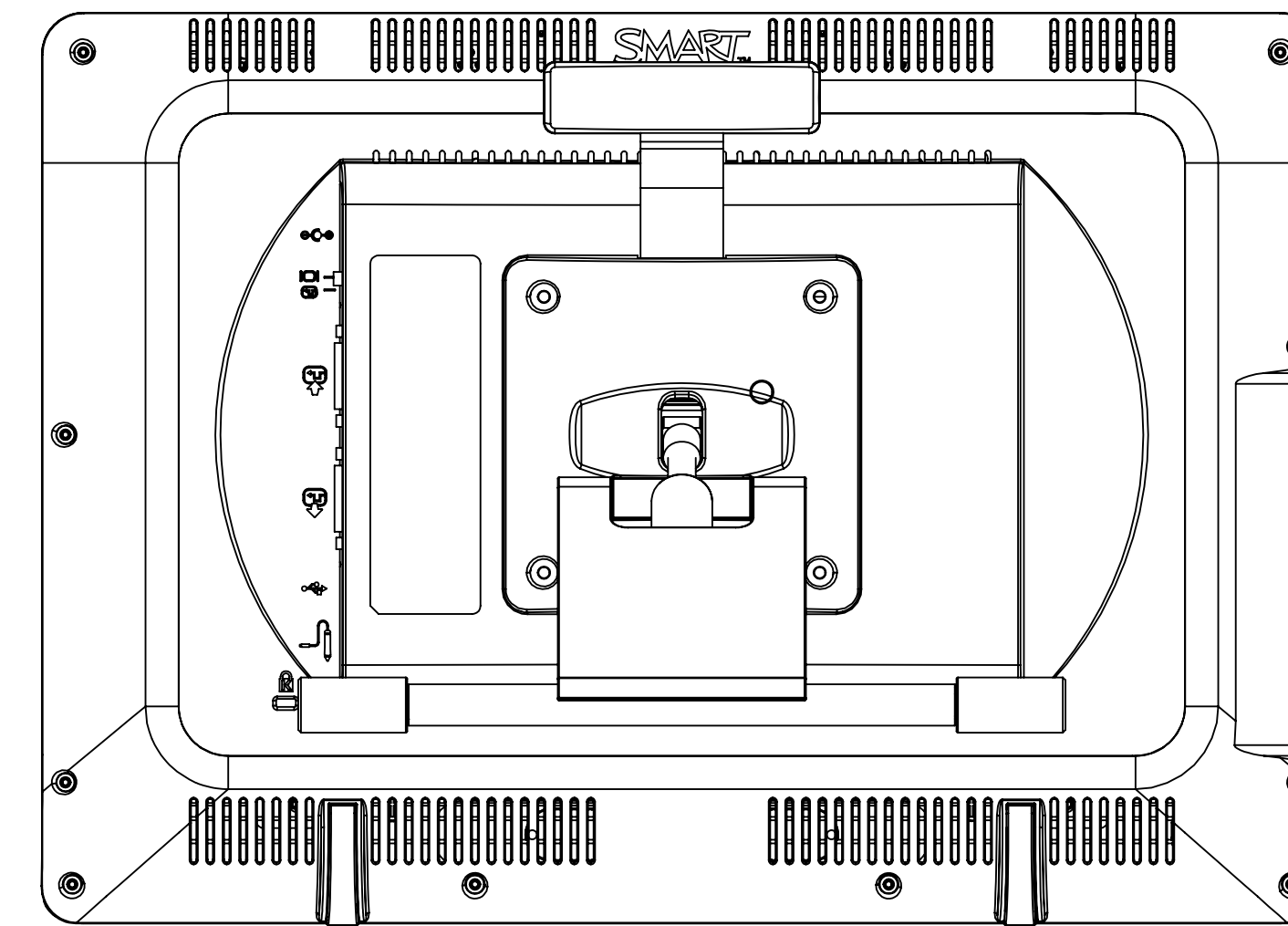
Isometric View



Front View



Side View



Back View

These drawings are for outline and installation purposes only.

All dimensions are given in inches (millimeters).

Dimensions are subject to change without notice.

All dimensions +/-1/8 (3mm)

NOTE: DO NOT SCALE



3636 Research Road NW  
Calgary, Alberta T2L 1Y1  
CANADA

[www.smarttech.com/support](http://www.smarttech.com/support)  
[www.smarttech.com/contactsupport](http://www.smarttech.com/contactsupport)

© 2011 SMART Technologies ULC.  
All rights reserved.  
The SMART logo, smarttech and all SMART taglines are trademarks or registered trademarks of SMART Technologies ULC in the U.S. and/or other countries.  
Patent No. US6320597; US6320594; US6741267; US7151533; US7757001; US7932899; USD612396; USD616462; USD617332; USD636784; US5317140; US6563491; US6803906; US6919880; US6954197; US7184030; US7236162; US7289113; US7619617; US7692625; CA2386094; EP1297488; EP1739528; ES2279823; ZL0181236.0; DE60124549  
Other patents pending. 08/2011