

SBM600/SBM600V

SBM680
SBM685
SBM680V
SBM685V

680: x1
685: x2

SMART #: 1020342

680: x1
685: x2

smarttech.com/kb/170411

1

202.1 cm
(79 1/2")

2

680

102 cm
(40")

685

127 cm
(50")

5.1 cm (2")

14 cm
(5 1/2")

3

680: x5
685: x10

4

680: x5
685: x10

680: x5
685: x10

680: x5
685: x10

5

680: x5
685: x10

6

680

685

7

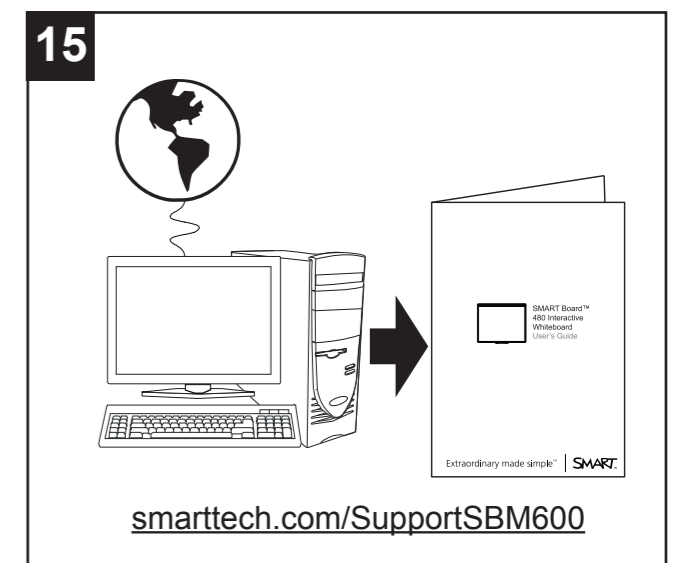
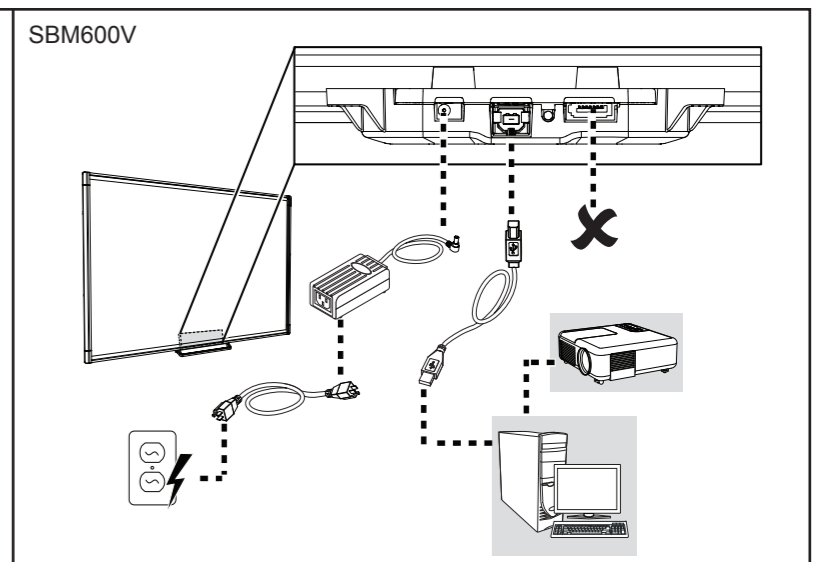
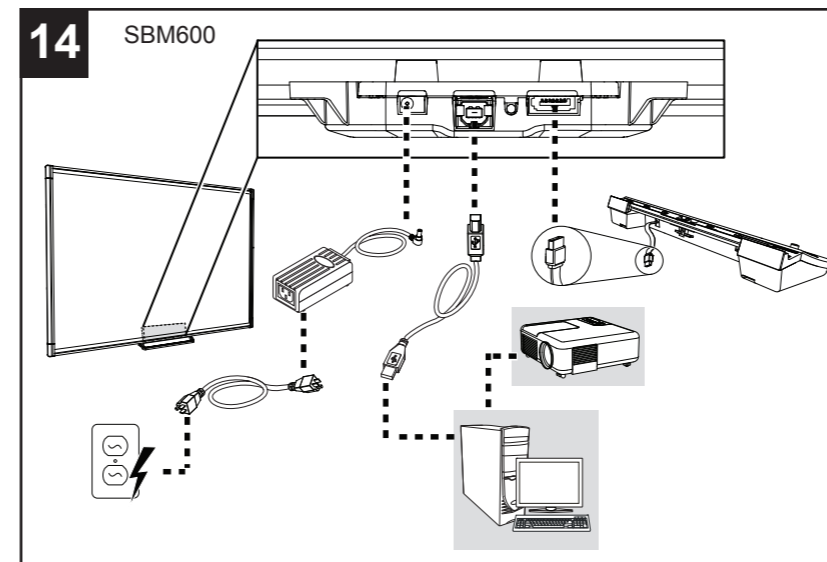
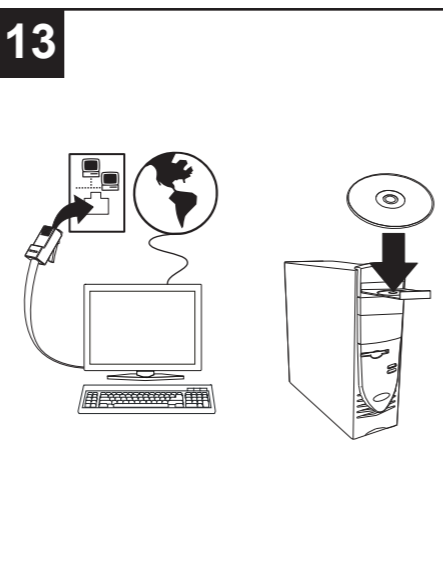
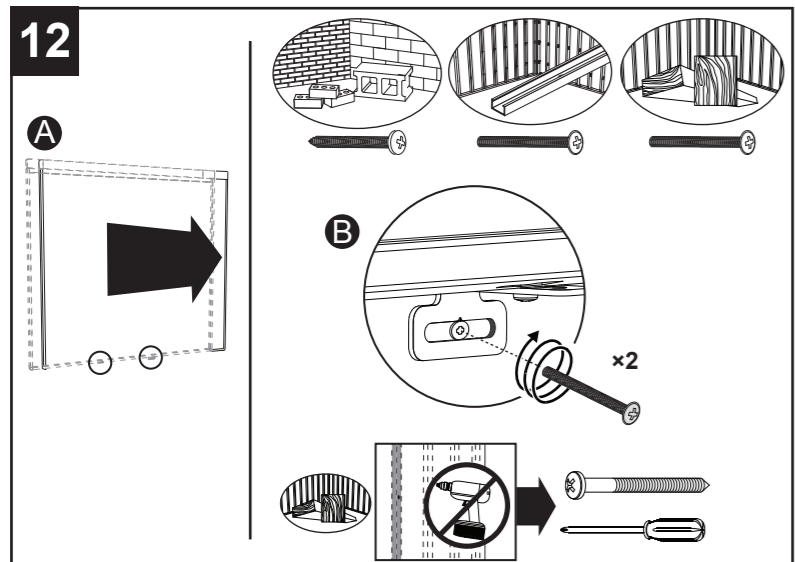
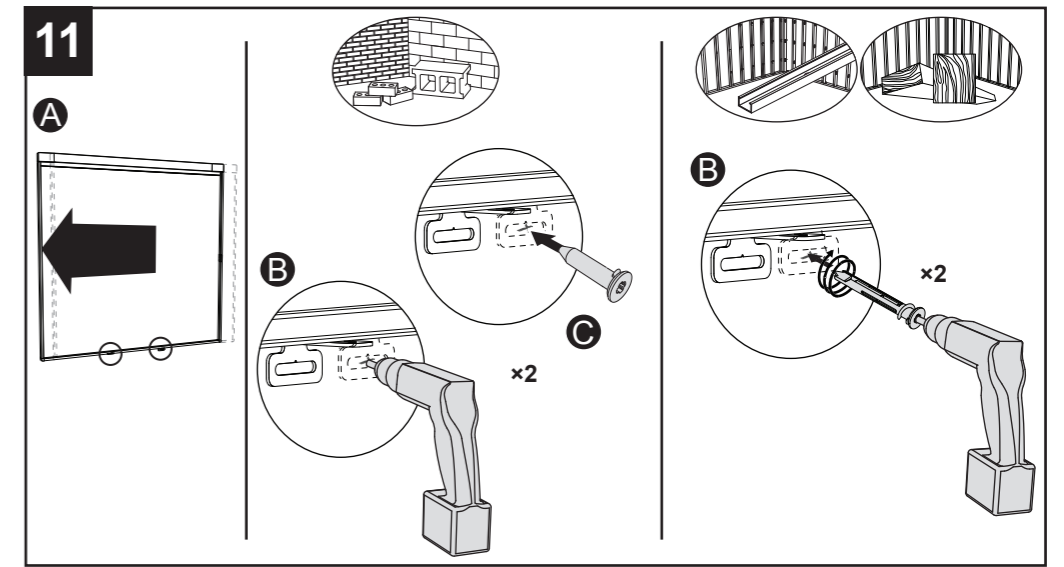
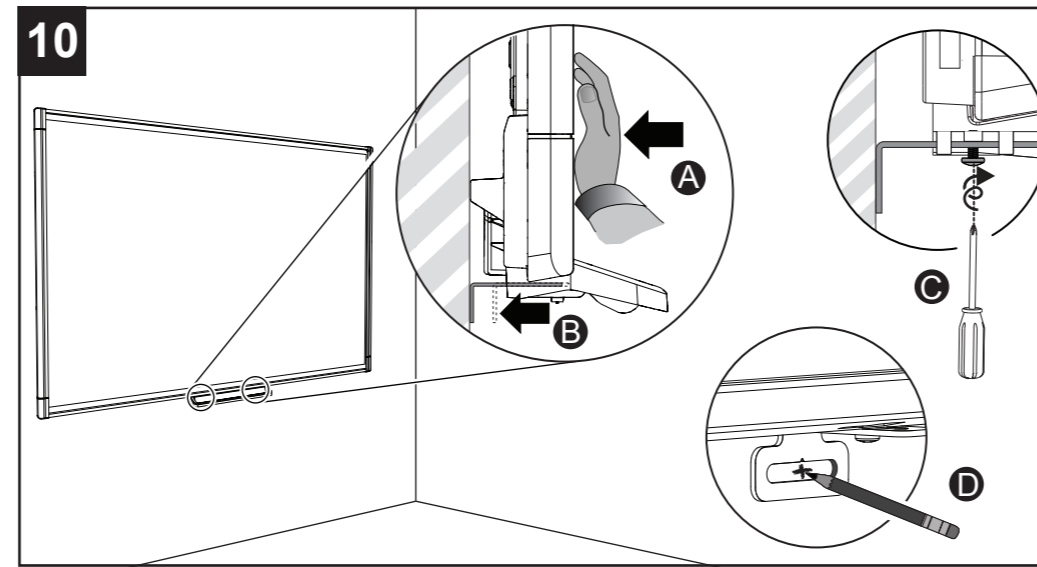
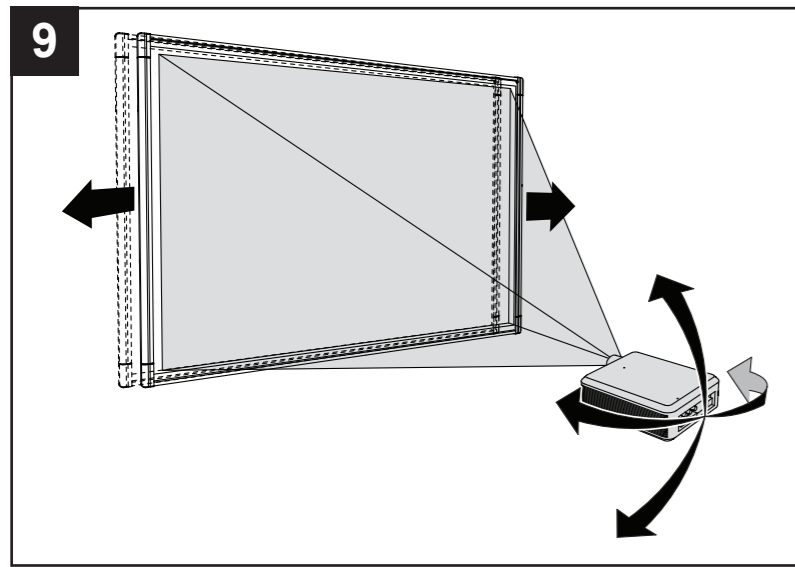
SBM600

SBM600V

8

SBM600V

SBM600



Hardware environmental compliance

SMART Technologies supports global efforts to ensure that electronic equipment is manufactured, sold and disposed of in a safe and environmentally friendly manner.

Waste Electrical and Electronic Equipment and Battery regulations (WEEE and Battery Directives)
 Electrical and electronic equipment and batteries contain substances that can be harmful to the environment and to human health. The crossed-out wheeled bin symbol indicates that products should be disposed of in the appropriate recycling stream and not as regular waste.

See smarttech.com/compliance for more information.

smarttech.com/support
smarttech.com/contactsupport

