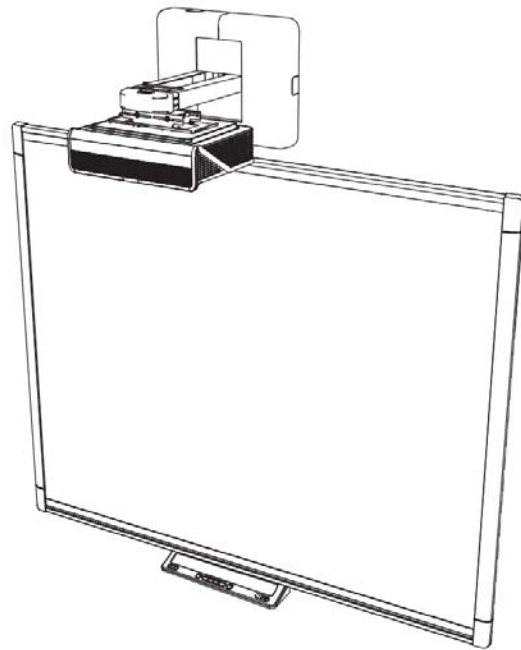


SMART[®]



Service Parts Diagrams

**For Model:
U100-SBM600
U100w-SBM600**

Service Parts Diagrams Revision History

Revision 1 - May, 2015

- New document

Standard Warranty Terms

Base Product: The projector has a three-year limited equipment warranty. The U100/U100w projector lamp has a 1000-hour/one-year warranty.

First Customer Ship: May, 2015

SMART Technologies

3636 Research Road NW

Calgary, AB T2L 1Y1

CANADA

Support +1.403.228.5940 or Toll Free 1.866.518.6791 (Canada/U.S.)

Support Fax +1.403.806.1256

www.smarttech.com/contactserviceparts www.smarttech.com

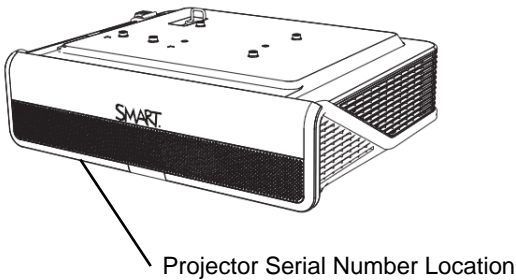


Service Parts Diagrams for the U100-SBM600 and U100w-SBM600

- Identifying Your Product Using the Serial Number 1
- Ordering Parts 1
- Accessory Kit Parts 2
- U100/U100w Parts 3
- Optional Projector Mounting Hardware Kit Assembly (Part No. 1013576) 5

Identifying Your Product Using the Serial Number

To make sure that you have the correct service parts diagrams, you must verify the serial number of your U100-SBM600 or U100w-SBM600. When mounted, the projector serial number will be visible on the bottom of the projector just below the projector lens. An example of the serial number format is shown below.



Unique Serial Number

B012HA27U0101

Ordering Parts

Customers

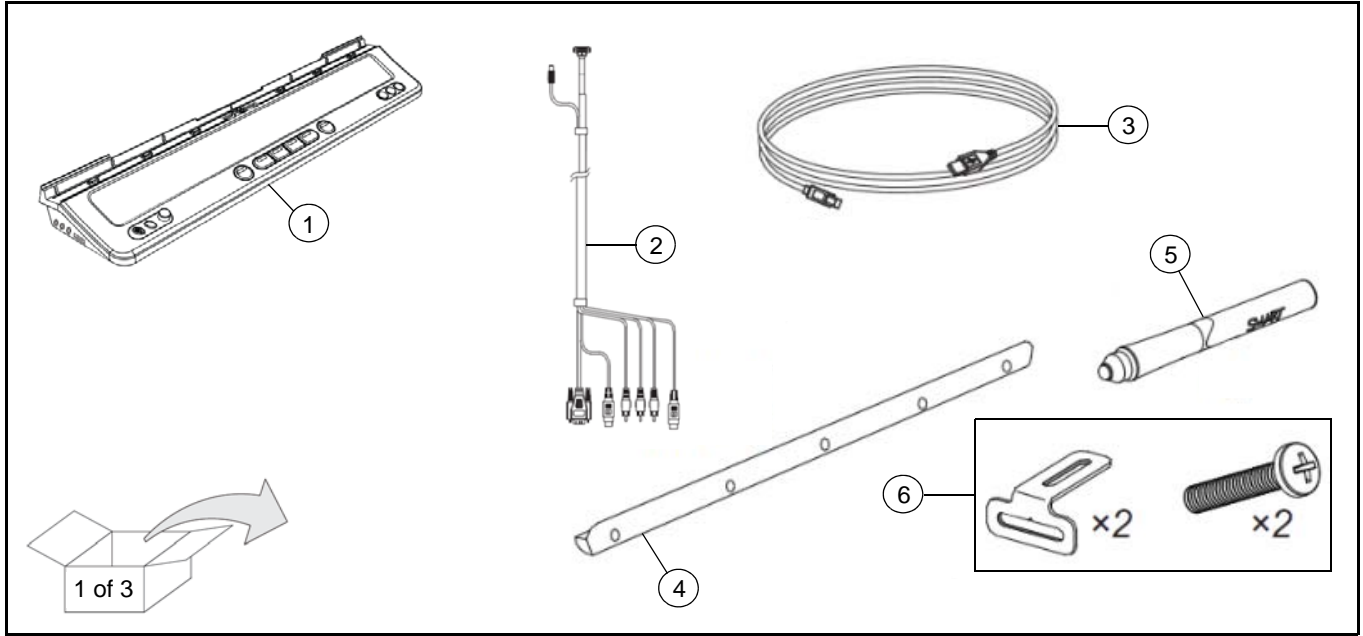
To order any of the parts in these service parts diagrams, contact your local reseller. To find a reseller near you, visit www.smarttech.com/where.

Dealers and Distributors

For specific technical and pricing enquiries in regards to these diagrams please contact our service parts department. Pricing is also available on-line via the SOURCE website (source.smarttech.com).

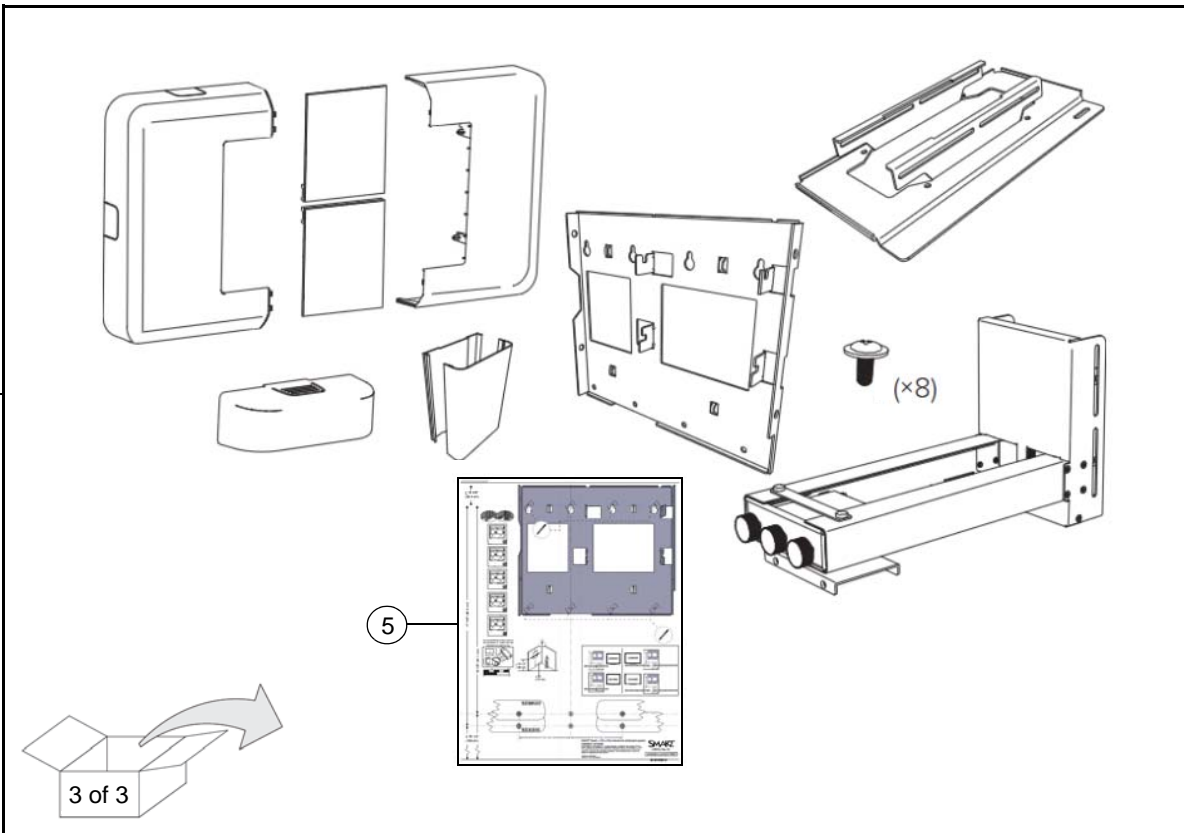
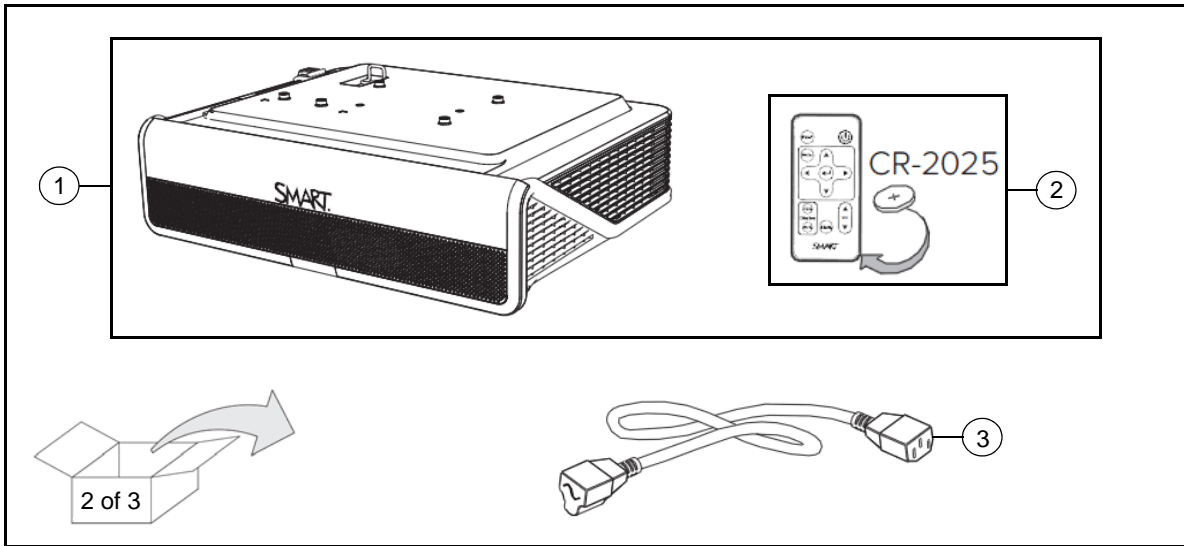
Web Form: www.smarttech.com/contactserviceparts
Phone: 1.888.42.SMART
International: +1.403.245.0333

Accessory Kit Parts



Item	Part No.	Qty	Description
1	FRU-PT-SBM600I	1	FRU, Pen Tray, SBM600i (with SMART projector controls) NOTE: Does not include the controller as it is attached to the back of the board.
2	1019332	1	Cable, pen tray to projector, SBM6, 12' (3.65 m)
3	93-00828-20	1	Cable, USB, A-B, 16' (5.0 m), SBX8
4	1009826	2	Bracket, wall mount, blue, SBX8/SBM6
5	RPEN-SBM6	1	Replacement Pens for SMART Board SBM600 Series - Set of Two
6	1020535	1	Assembly, SBM6 pen ledge / tray mounting hardware

U100/U100w Parts



Item	Part No.	Qty	Description
1	FRU-U100-PJR	1	FRU, U100 projector only NOTE: Includes projector and item 2.
1	FRU-U100w-PJR	1	FRU, U100w projector only NOTE: Includes projector and item 2.

2	03-00131-20	1	Remote control NOTE: Battery not included with replacement remotes.
3	93-00630-20	1	Cable, power, North America, 14' 9" (4.5 m)
3	93-00632-20	1	Cable, power, United Kingdom, 14' 9" (4.5 m)
3	93-00631-20	1	Cable, power, Europe, 14' 9" (4.5 m)
3	93-00629-20	1	Cable, power, Australia, 14' 9" (4.5 m)
3	93-00634-20	1	Cable, power, Japan, 14' 9" (4.5 m)
3	93-00633-20	1	Cable, power, China, 14' 9" (4.5 m)
3	1018970	1	Cable, power, India, 14' 9" (4.5 m)
3	1018971	1	Cable, power, Saudi Arabia, 14' 9" (4.5 m)
3	1018972	1	Cable, power, Brazil, 14' 9" (4.5 m)
3	1025603	1	Cable, power, Chile and Italy, 14' 9" (4.5 m)
4	1026830	1	Assembly, mounting system, U100-U100w projection system
5		1	Mounting Template, Projector, U100-U100w, SB8 and SBM6 Boards NOTE: Can be downloaded via the following link: www.smarttech.com/kb/170887
Not shown	1026952	1	Replacement Lamp for U100 and U100w Projectors

Optional Projector Mounting Hardware Kit Assembly (Part No. 1013576)

