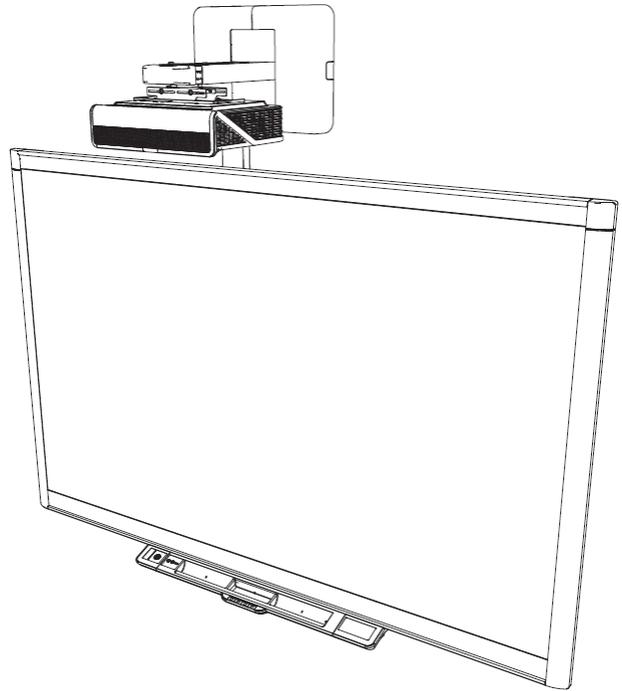


# SMART<sup>®</sup>



## ***Service Parts Diagrams***

**For Model:**

**U100-SB800**

**U100w-SB800**

## Service Parts Diagrams Revision History

### Revision 1 - May 5, 2015

- New document

### Standard Warranty Terms

The projector and extended control panel (ECP) have a three-year limited equipment warranty. The U100/U100w projector lamp has a 1000-hour/one-year warranty.

First Customer Ship: May, 2015

---

**SMART Technologies**

3636 Research Road NW

Calgary, AB T2L 1Y1

CANADA

Support +1.403.228.5940 or Toll Free 1.866.518.6791 (Canada/U.S.)

Support Fax +1.403.806.1256

[www.smarttech.com/contactserviceparts](http://www.smarttech.com/contactserviceparts) [www.smarttech.com](http://www.smarttech.com)

The SMART logo consists of the word "SMART" in a bold, stylized, sans-serif font. The letters are black with a white outline, and a registered trademark symbol (®) is located at the bottom right of the letter "T".

# Service Parts Diagrams for the U100-SB800 and U100w-SB800

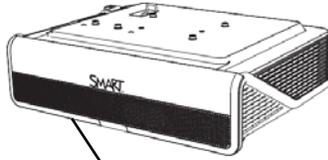
---

Identifying Your Product Using the Serial Number .....	1
Ordering Parts .....	1
U100/U100w Parts .....	2
Optional Projector Mounting Hardware Kit Assembly (Part No. 1013576) .....	4
Assembly, SB800 Extended Control Panel for U100 and U100w (Part No. 1026837) .....	5
Optional Control Cable for SB800 Series (Part No. SBX8-CTRL) .....	6
Optional Video Connector Kit Assembly for SB800 Series (Part No. 20-01496-20) .....	6
Optional MCP Moulded RCA Connector Pod Assembly (Part No. 1016404) .....	6



## Identifying Your Product Using the Serial Number

To make sure that you have the correct service parts diagrams, you must verify the serial number of your U100-SB800 or U100w-SB800. When mounted, the projector serial number will be visible on the bottom of the projector just below the projector lens. An example of the serial number format is shown below.



Projector Serial Number Location

Unique Serial Number

**B012HA27U0101**

## Ordering Parts

### Customers

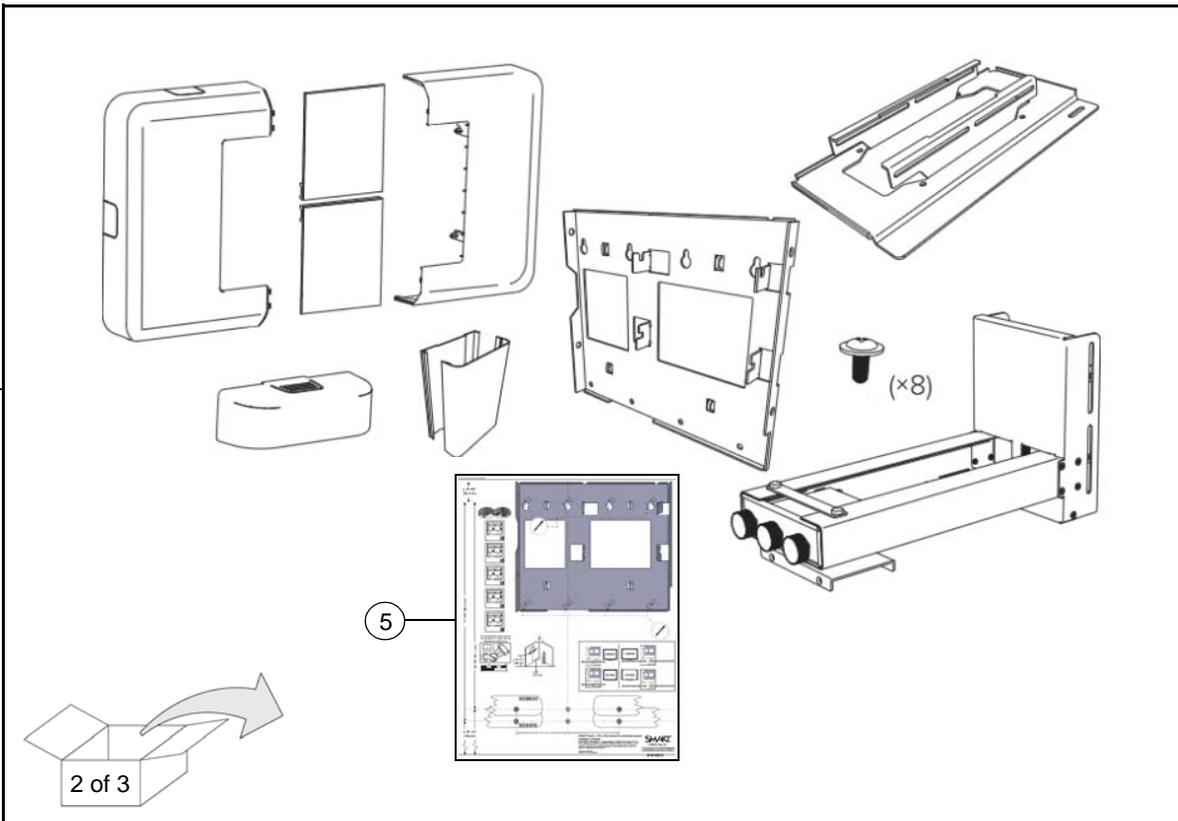
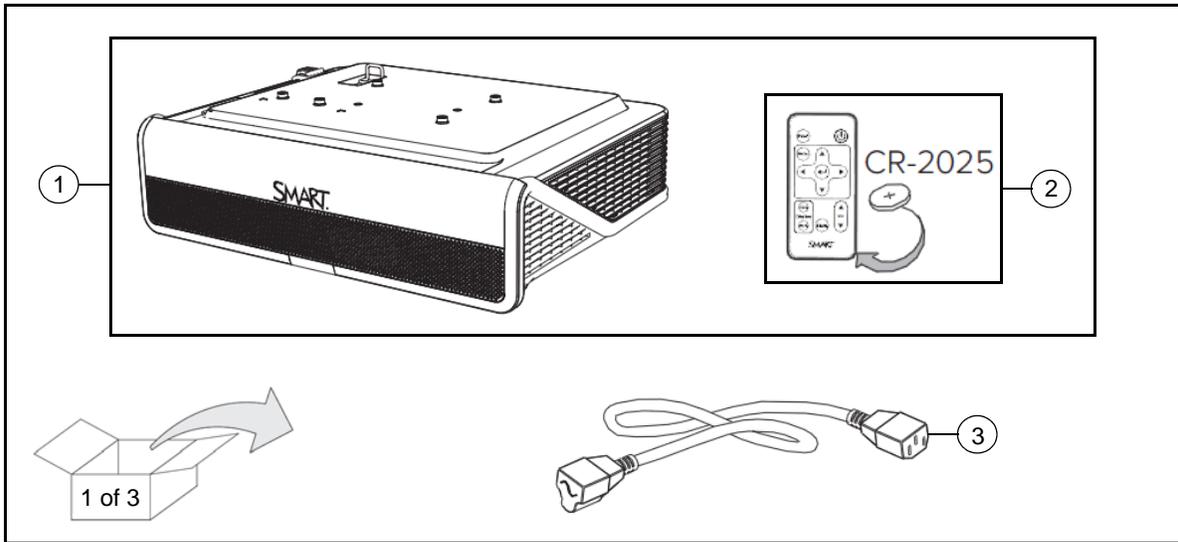
To order any of the parts in these service parts diagrams, contact your local reseller. To find a reseller near you, visit [www.smarttech.com/where](http://www.smarttech.com/where).

### Dealers and Distributors

For specific technical and pricing enquiries in regards to these diagrams please contact our service parts department. Pricing is also available on-line via the SOURCE website ([source.smarttech.com](http://source.smarttech.com)).

Web Form: [www.smarttech.com/contactserviceparts](http://www.smarttech.com/contactserviceparts)  
Phone: 1.888.42.SMART  
International: +1.403.245.0333

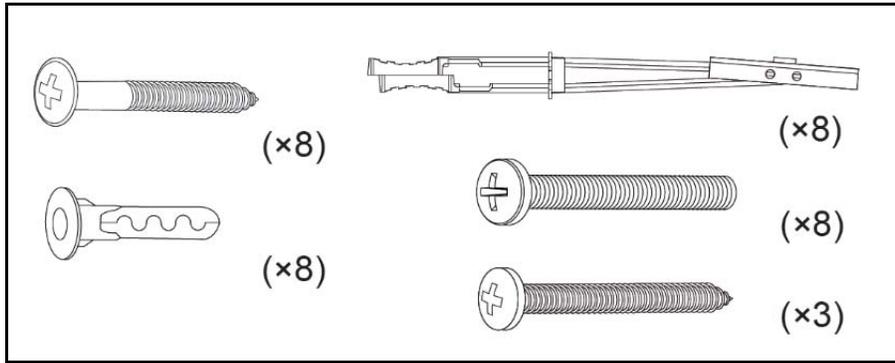
# U100/U100w Parts



Item	Part No.	Qty	Description
1	FRU-U100-PJR	1	FRU, U100 projector only <b>NOTE:</b> Includes projector and item 2.
1	FRU-U100w-PJR	1	FRU, U100w projector only <b>NOTE:</b> Includes projector and item 2.

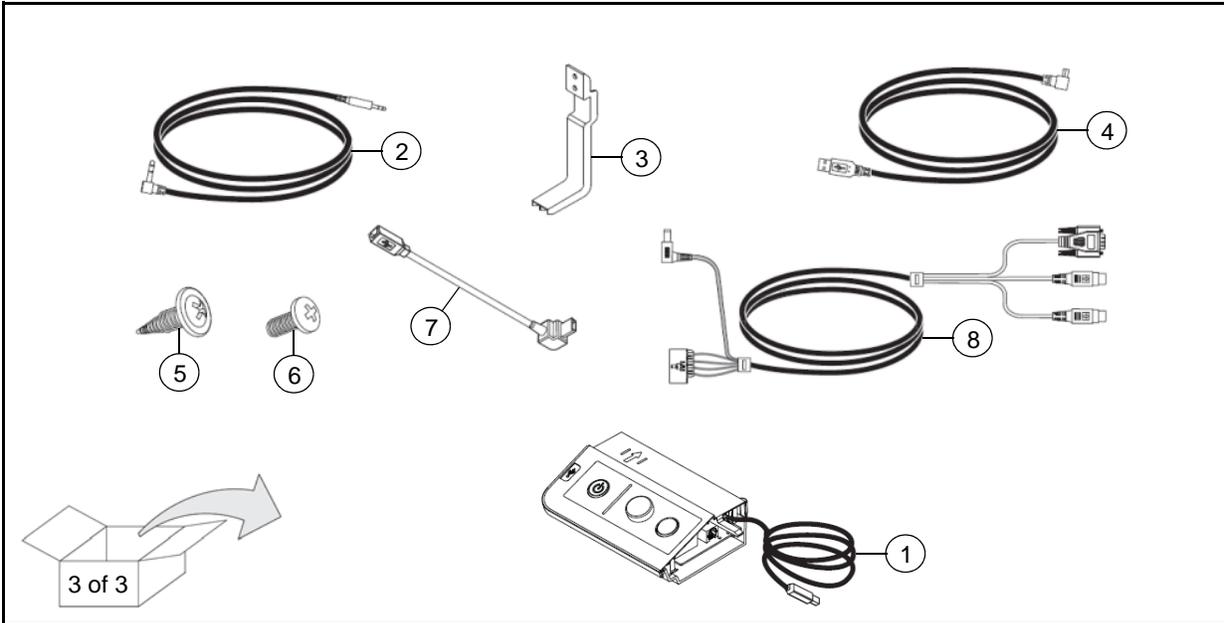
2	03-00131-20	1	Remote control <b>NOTE: Battery not included with replacement remotes.</b>
3	93-00630-20	1	Cable, power, North America, 14' 9" (4.5 m)
3	93-00632-20	1	Cable, power, United Kingdom, 14' 9" (4.5 m)
3	93-00631-20	1	Cable, power, Europe, 14' 9" (4.5 m)
3	93-00629-20	1	Cable, power, Australia, 14' 9" (4.5 m)
3	93-00634-20	1	Cable, power, Japan, 14' 9" (4.5 m)
3	93-00633-20	1	Cable, power, China, 14' 9" (4.5 m)
3	1018970	1	Cable, power, India, 14' 9" (4.5 m)
3	1018971	1	Cable, power, Saudi Arabia, 14' 9" (4.5 m)
3	1018972	1	Cable, power, Brazil, 14' 9" (4.5 m)
3	1025603	1	Cable, power, Chile and Italy, 14' 9" (4.5 m)
4	1026830	1	Assembly, mounting system, U100-U100w projection system
5		1	Mounting Template, Projector, U100-U100w, SB8 and SBM6 Boards <b>NOTE:</b> Can be downloaded via the following link: <a href="http://www.smarttech.com/kb/170887">www.smarttech.com/kb/170887</a>
Not shown	1026952	1	Replacement Lamp for U100 and U100w Projectors

**Optional Projector Mounting Hardware Kit Assembly (Part No. 1013576)**



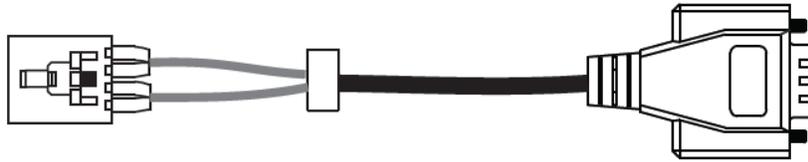


## Assembly, SB800 Extended Control Panel for U100 and U100w (Part No. 1026837)

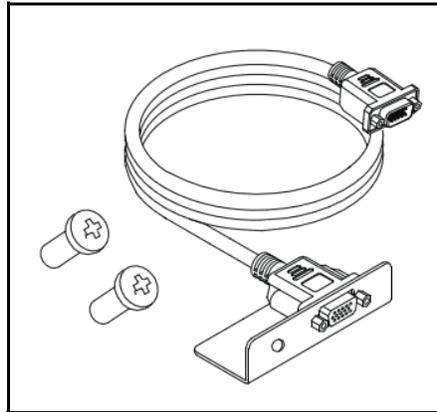


Item	Part No.	Qty	Description
1	FRU-MODULE-ECP-SBX8	1	FRU, extended control panel pen tray module, SBX8
2	1019686	1	Cable, audio, right angle 3.5 mm male to 3.5 mm male, 13'5" (4.1 m)
3	52-00731-20	1	Bracket, support, master control panel (MCP)
4	93-00807-20	1	Cable, right angle USB Mini-B to USB A, 16' 5" (5.0 m)
5	30-00934	2	Screw, No. 8 x 5/16", trim, Phillips, wafer head
6	30-01343-20	2	Screw, No. 4 x 3/8", Phillips, pan head, for plastics
7	1016373	1	Cable, right angle USB Mini-B to USB B, 6" (15 cm)
8	93-00815-21	1	Cable, harness, master control panel (MCP), 9' 6" (2.9 m)

**Optional Control Cable for SB800 Series (Part No. SBX8-CTRL)**



**Optional Video Connector Kit Assembly for SB800 Series (Part No. 20-01496-20)**



**Optional MCP Moulded RCA Connector Pod Assembly (Part No. 1016404)**

