

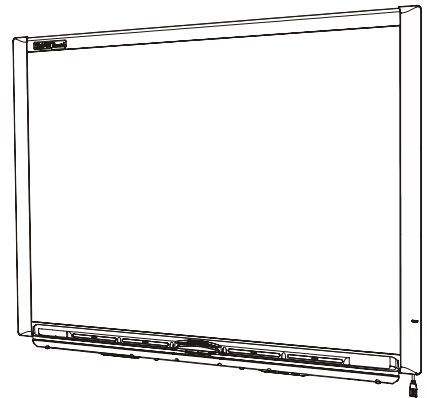
# Specifications

## SMART Board™ interactive whiteboard

### Model 640

#### Physical specifications

<b>Size</b>	42" W × 32" H × 5 1/8" D (106.7 cm × 81.3 cm × 13 cm)
<b>Active screen area</b> (maximum interactive, projected image)	38 3/8" W × 28 3/4" H (97.5 cm × 73 cm) 48" (121.9 cm) diagonal
<b>FS640 floor stand</b> (with SB640 installed)	42" W × 52 3/4" to 66 3/4" H × 40 3/8" D (106.7 cm × 134 cm to 169.6 cm × 102.5 cm)
<b>Weight</b>	14 lb. 12 oz. (6.7 kg)
<b>Shipping size</b>	
1 unit	46" W × 46 1/2" H × 5 1/2" D (116.8 cm × 118.1 cm × 14 cm)
8 units on pallet	7" W × 51 1/2" H × 45" D (119.4 cm × 130.8 cm × 114.3 cm)
<b>Shipping weight</b>	
1 unit	25 lb. (11.4 kg)
8 units on pallet	216 lb. (98.2 kg)



All dimensions +/- 1/8" (0.3 cm). All weights +/- 2 lb. (0.9 kg)

## Standard features

<b>Software</b>	SMART Notebook™ collaborative learning software included. See the <a href="#">SMART Notebook release notes</a> for a complete list of system requirements. Software upgrades are available at <a href="http://smarttech.com/software">smarttech.com/software</a> .
<b>Pen tray</b>	Optical sensors in the pen tray detect when a pen or eraser is lifted from the tray. LEDs show the active tool.
<b>Pens and eraser</b>	Black, blue, red and green pen tray pens and a rectangular eraser
<b>Resolution</b>	Touch resolution is approximately 4000 × 4000.
<b>Screen surface</b>	The hard-coated polyester surface is tear proof, optimized for projection, compatible with dry-erase markers and is easily cleaned with whiteboard cleaner.
<b>Digitizing technology</b>	Resistive
<b>Frame finish</b>	Two-tone gray (approximates Pantone® Charcoal Gray 18-0601 TPX) and Ultrasonic Chrome (approximates metallic Pantone 877 C)
<b>Wall-mount bracket</b>	32" (81.3 cm) wide with five screws and five drywall anchors to support a wall-mounted interactive whiteboard
<b>Computer connection</b>	16' (5 m) USB 2.0 cable
<b>Power requirements</b>	Power is obtained from the computer directly through the USB cable for Windows®, Mac and Linux® computers. Power consumption is less than 1.5 W (300mA at 5V).
<b>Certifications and compliance</b>	CSA (U.S./Canada), CE, CB (TUV), China EIP, EU RoHS, WEEE and VCCI
<b>Warranty</b>	Five-year limited equipment warranty upon registration. See warranty document for details.

### NOTE

A digital projector isn't included with this model of SMART Board™ interactive whiteboard. To take advantage of all interactive features, you must integrate a digital projector.

## Storage and operating specifications

<b>Storage</b>	-40°F to 120°F (-40°C to 50°C)
<b>Operation</b>	41°F to 95°F (5°C to 35°C) with up to 80% humidity, non-condensing

## SMART order number

<b>SB640</b>	48" (121.9 cm) diagonal SMART Board interactive whiteboard
--------------	--

## Optional accessories

Part number	Description	NA	UK	AU
<b>CB6</b>	Firm-sided carrying bag for the SMART Board 640 interactive whiteboard			
<b>CBJ-640</b>	Padded carrying bag for the SMART Board 640 interactive whiteboard and the TS640 table stand			
<b>HSCJ-640</b>	Hard shipping case for the SMART Board 640 interactive whiteboard and the TS640 table stand			
<b>FS640</b>	Mobile floor stand with 4" (10.2 cm) lockable casters and flip-up anti-tip feet			
<b>TS640</b>	Table stand installs quickly to allow the SMART Board 640 interactive whiteboard to be used on a table			
<b>RS232-XX</b>	RS-232 to USB conversion module that allows a serial connection to the interactive whiteboard as an alternative to USB	✓	✓	
<b>WC6D-XX</b>	Wireless Bluetooth® connection between the SMART Board interactive whiteboard and the computer	✓	✓	
<b>SBA-XX</b>	USB audio system with two 15 W speakers that mount to the interactive whiteboard or wall	✓	✓	✓
<b>SYSON6-XX</b>	SystemOn expansion module wakes up the computer and turns on the projector with one button press	✓	✓	
<b>USB-GW</b>	GoWire™ SMART Notebook software auto-launch cable			
<b>USB-XT</b>	16' (5 m) USB active extension cable			
<b>CAT5-XT</b>	USB to Cat 5 cable extender set			
<b>RPEN-ER</b>	Replacement set of four pen tray pens (black, red, blue and green) and rectangular eraser			
<b>RPEN</b>	Replacement set of four pen tray pens (black, red, blue and green)			

### NOTE

Part numbers ending in XX include power supplies for the countries or regions, as indicated by ✓ in the columns to the right. When ordering, substitute XX in the part number with the appropriate country code as follows:

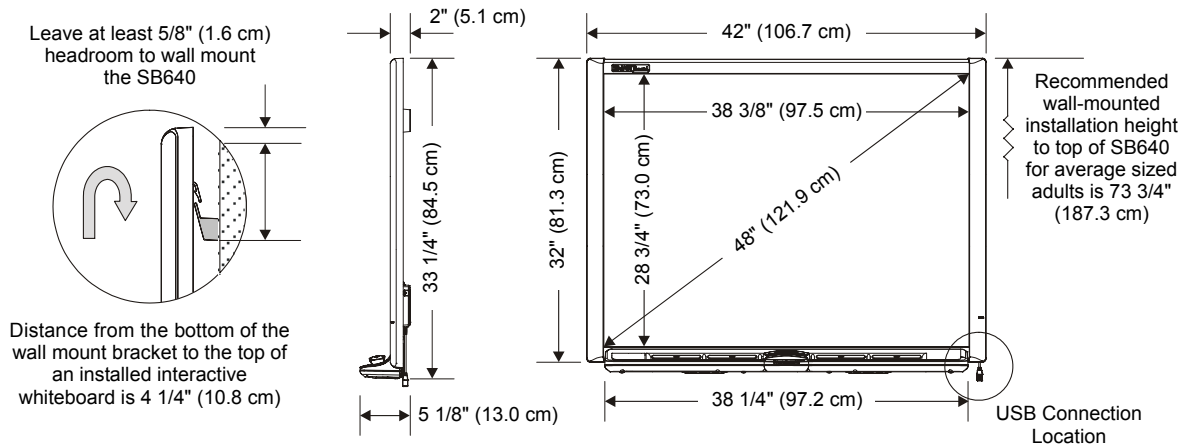
NA = U.S. and Canada

UK = United Kingdom

EU = European Union

AU = Australia

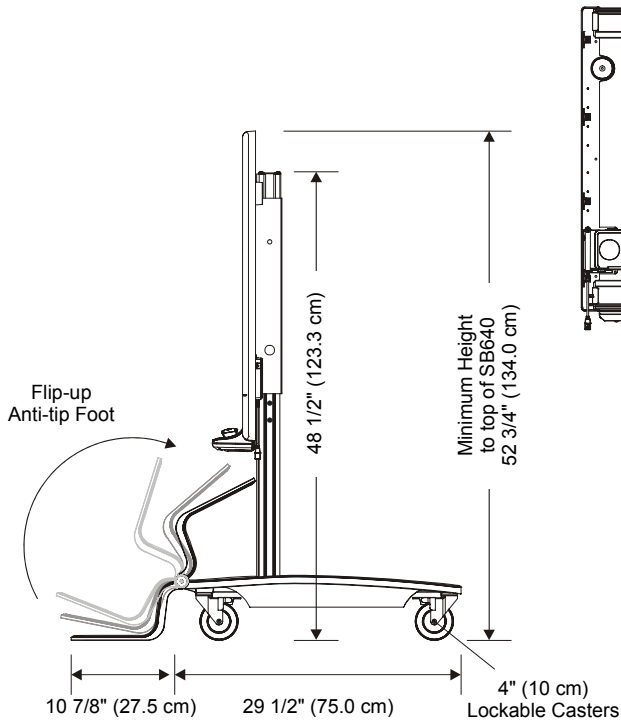
## Physical dimensions



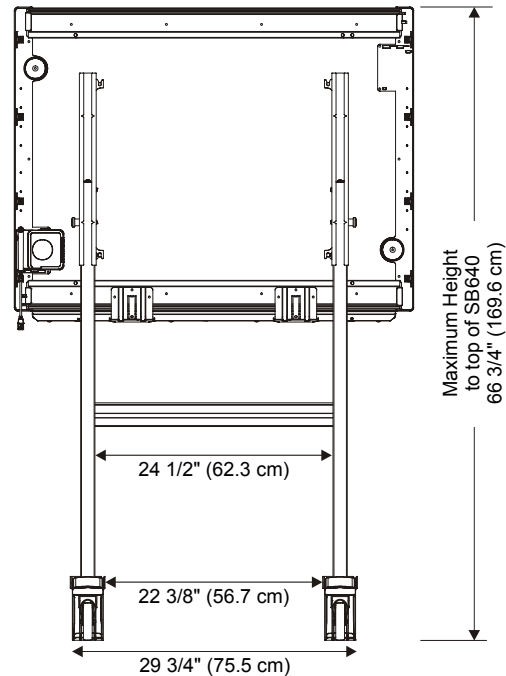
Wall Mounted Cut Away View

Wall Mounted Side View

Wall Mounted Front View



Floor Stand Mounted Side View (lowest position)



Floor Stand Mounted Back View (highest position)



www.smarttech.com/support www.smarttech.com/contactsupport  
Support +1.403.228.5940 or Toll Free 1.866.518.6791 (U.S./Canada)

