

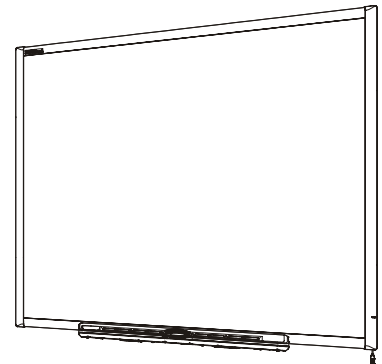
# Specifications

## SMART Board™ interactive whiteboard

### Model 680

#### Physical specifications

<b>Size</b>	65 1/4" W × 49 1/2" H × 5 1/8" D (165.7 cm × 125.7 cm × 13 cm)
<b>Active screen area</b> (maximum interactive, projected image)	61 5/8" W × 46 1/8" H (156.5 cm × 117.2 cm) 77" diagonal (195.6 cm)
<b>FS670 floor stand</b> (with SB680 installed)	65 1/4" W × 67 3/4" to 81 3/4" H × 40 1/4" D (165.7 cm × 172.4 cm to 208 cm × 102.5 cm)
<b>Weight</b>	30 lb. (13.6 kg)
<b>Shipping size</b>	
1 unit	73 1/2" W × 54" H × 5 1/2" D (186.7 cm × 137.2 cm × 14 cm)
8 units on pallet	55" W × 78 1/2" H × 45" D (139.7 cm × 199.4 cm × 114.3 cm)
<b>Shipping weight</b>	
1 unit	45 lb. (20.5 kg)
8 units on pallet	380 lb. (172.7 kg)



All dimensions +/- 1/8" (0.3 cm). All weights +/- 2 lb. (0.9 kg)

## Standard features

<b>Software</b>	SMART Notebook™ collaborative learning software included. See the <a href="#">SMART Notebook release notes</a> for a complete list of system requirements. Software upgrades are available at <a href="http://smarttech.com/software">smarttech.com/software</a> .
<b>Pen tray</b>	Optical sensors in the pen tray detect when you lift a pen or eraser from the tray. LEDs show the active tool.
<b>Pens and eraser</b>	Black, blue, red and green pen tray pens and a rectangular eraser
<b>Resolution</b>	Touch resolution is approximately 4000 × 4000.
<b>Screen surface</b>	The hard-coated surface is tear-proof, optimized for projection, compatible with dry-erase markers and easily cleaned with whiteboard cleaner.
<b>Digitizing technology</b>	Resistive
<b>Frame finish</b>	Two-tone gray (approximates Pantone® Charcoal Gray 18-0601 TPX) and Ultrasonic Chrome (approximates metallic Pantone 877 C)
<b>Wall-mount bracket</b>	32" (81.3 cm) wide with five screws and five drywall anchors to support a wall-mounted interactive whiteboard
<b>Computer connection</b>	16' (5 m) USB 2.0 cable
<b>Power requirements</b>	Power is obtained from the computer directly through the USB cable for Windows®, Mac and Linux® computers. Power consumption is less than 1.5 W (300 mA at 5V).
<b>Environmental compliance</b>	China EIP, EU RoHS, EU and WEEE
<b>Regulatory certification</b>	CB (TUV), CE, CSA (U.S./Canada), FCC and VCCI
<b>Warranty</b>	Five-year limited equipment warranty upon registration. See warranty document for details.

### **NOTE**

A digital projector isn't included with this model of SMART Board™ interactive whiteboard. To take advantage of all interactive features, you must integrate a digital projector.

## Storage and operating specifications

<b>Storage</b>	-40°F to 120°F (-40°C to 50°C)
<b>Operation</b>	41°F to 95°F (5°C to 35°C) with up to 80% humidity, non-condensing

## SMART order number

<b>SB680</b>	77" (195.6 cm) diagonal SMART Board interactive whiteboard
--------------	--

## Optional accessories

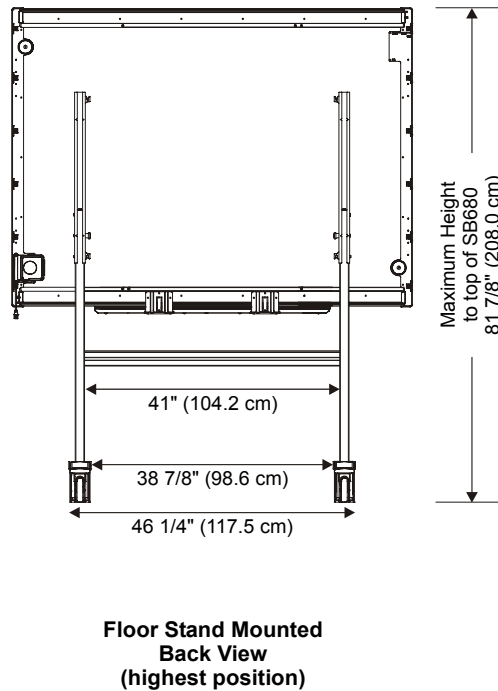
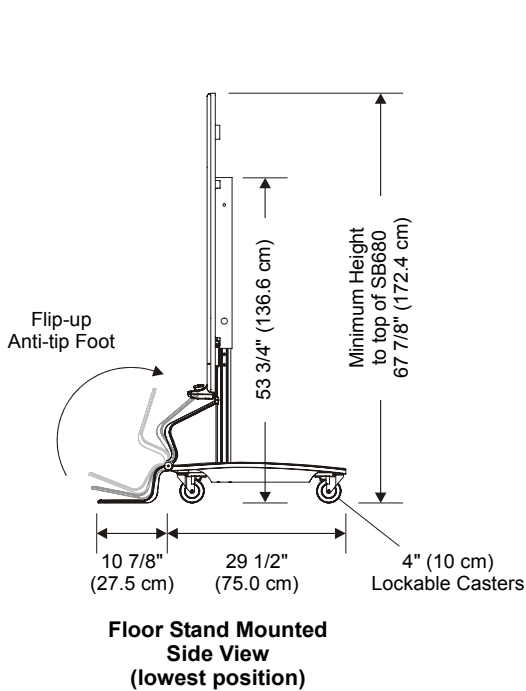
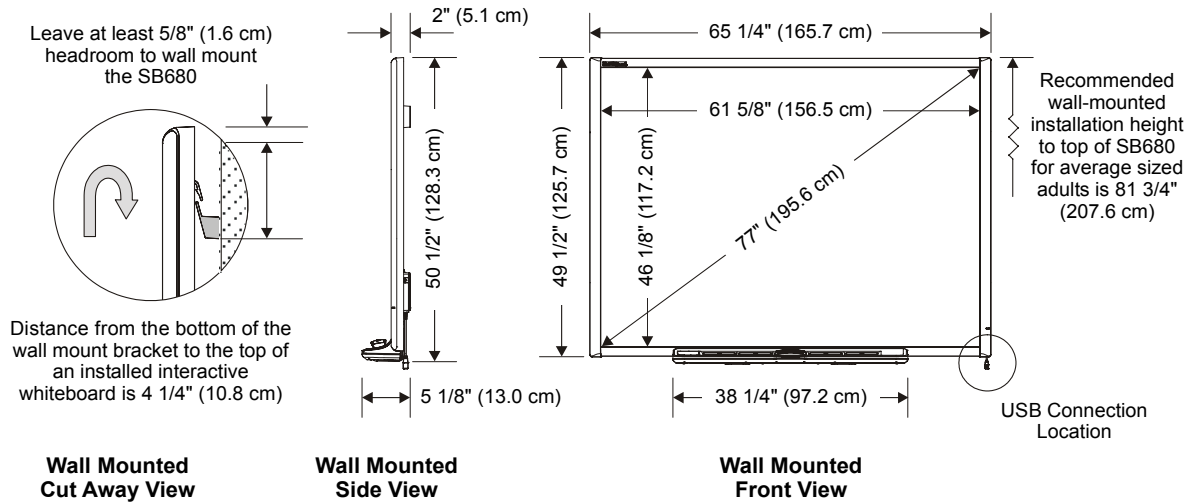
Part number	Description	NA	UK	AU
<b>CCJ680</b>	Padded cover with handles for the SMART Board 680 and D680 interactive whiteboards			
<b>HSCJ-680</b>	Hard shipping case for the SMART Board 680 and D680 interactive whiteboards and the FS670 floor stand			
<b>FS670</b>	Mobile floor stand with 4" (10.2 cm) lockable casters and flip-up anti-tip feet			
<b>PMWT-680</b>	Projector wall mount for an NEC WT600 or WT610 projector			
<b>RS232-XX</b>	RS-232 to USB conversion module that allows a serial connection to the interactive whiteboard as an alternative to USB	✓	✓	✓
<b>WC6D-XX</b>	Wireless Bluetooth® connection between the SMART Board interactive whiteboard and the computer	✓	✓	✓
<b>SBA-XX</b>	USB audio system with two 14 W speakers that mount to the interactive whiteboard or the wall	✓	✓	✓
<b>SYSON6-XX</b>	SystemOn expansion module wakes up the computer and turns on the projector with one button press	✓	✓	✓
<b>USB-GW</b>	GoWire™ SMART Notebook software auto-launch cable			
<b>USB-XT</b>	16' (5 m) USB active extension cable			
<b>CAT5-XT</b>	USB to Cat 5 cable extender set			
<b>RPEN-ER</b>	Replacement set of four pen tray pens (black, blue, red and green) and rectangular eraser			
<b>RPEN</b>	Replacement set of four pen tray pens (black, blue, red and green)			
<b>SPT</b>	Set of four pointers (blue, red, green and yellow)			

### NOTE

Part numbers ending in XX include power supplies for the countries or regions indicated by ✓ in the columns to the right. When ordering, substitute XX in the part number with the appropriate country code, as follows:

- NA = U.S. and Canada
- UK = United Kingdom
- EU = European Union
- AU = Australia

## Physical dimensions



www.smarttech.com/support    www.smarttech.com/contactsupport  
 Support +1.403.228.5940 or Toll Free 1.866.518.6791 (U.S./Canada)

