

# SMART Board™ 660i5 Interactive Whiteboard System

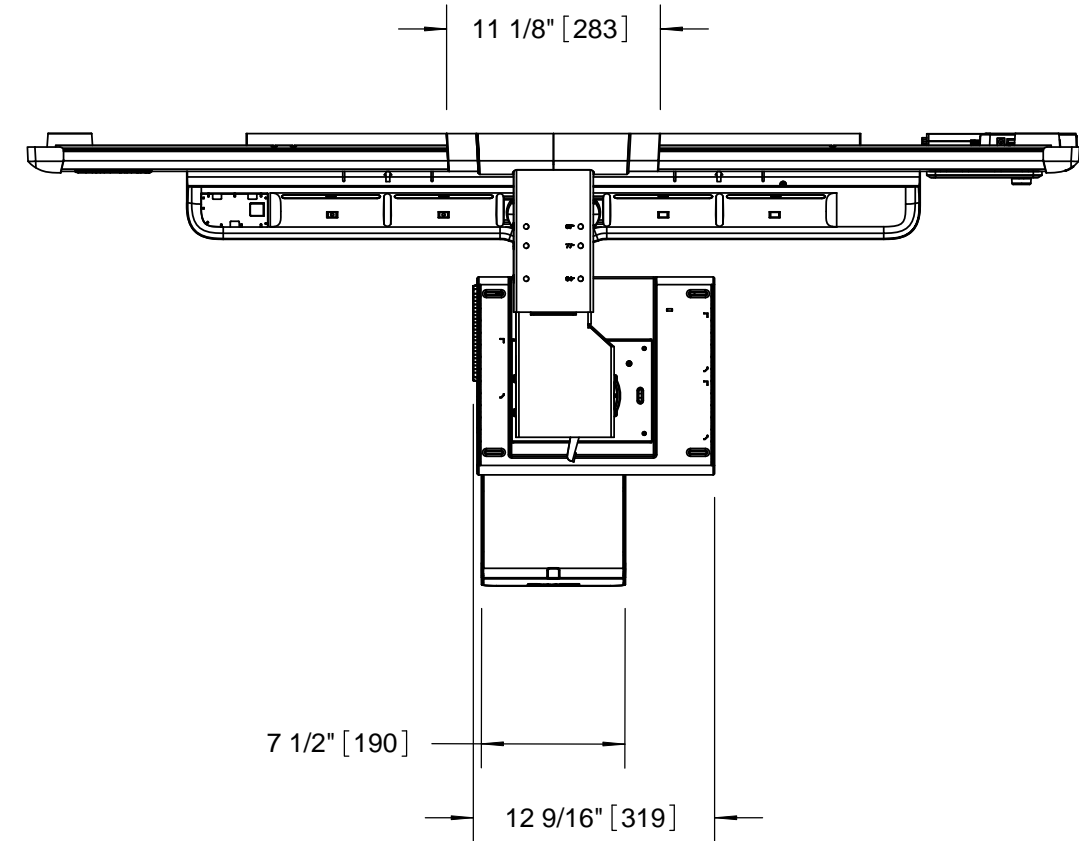
These drawings are for outline and installation purposes only.

All dimensions are given in inches (millimeters).

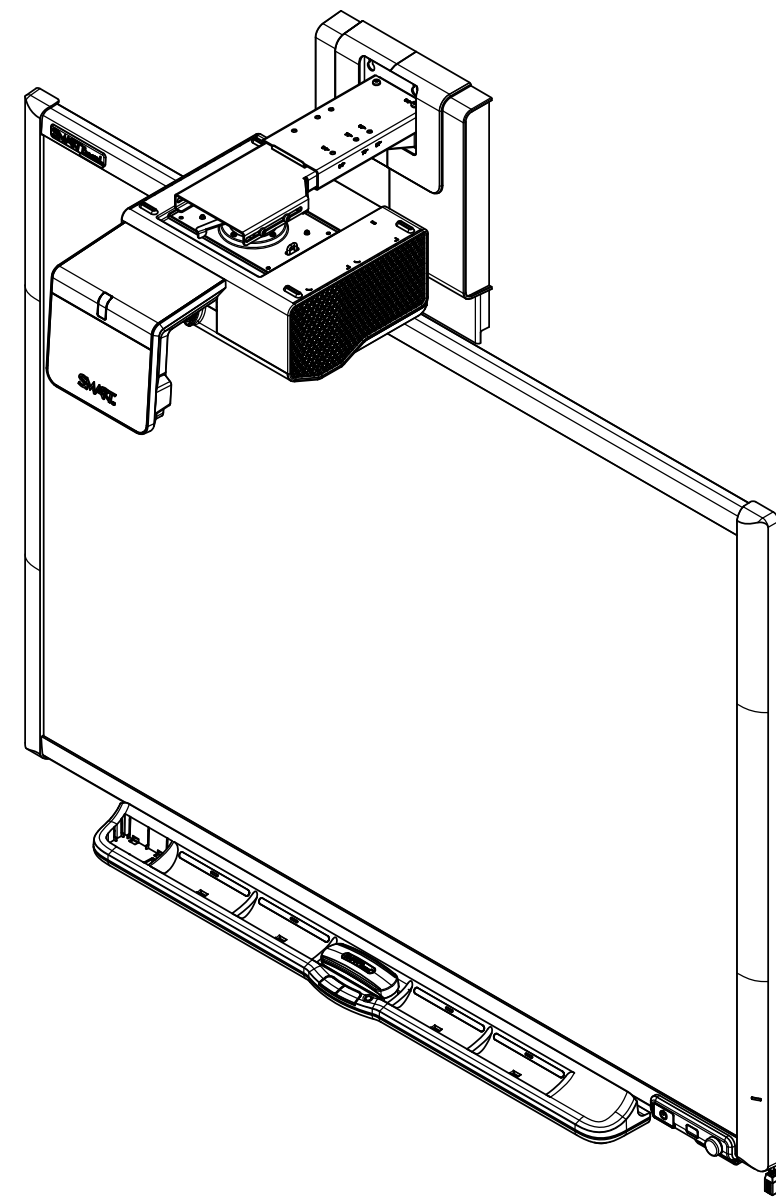
Dimensions are subject to change without notice.

All dimensions +/- 1/8 (3mm)

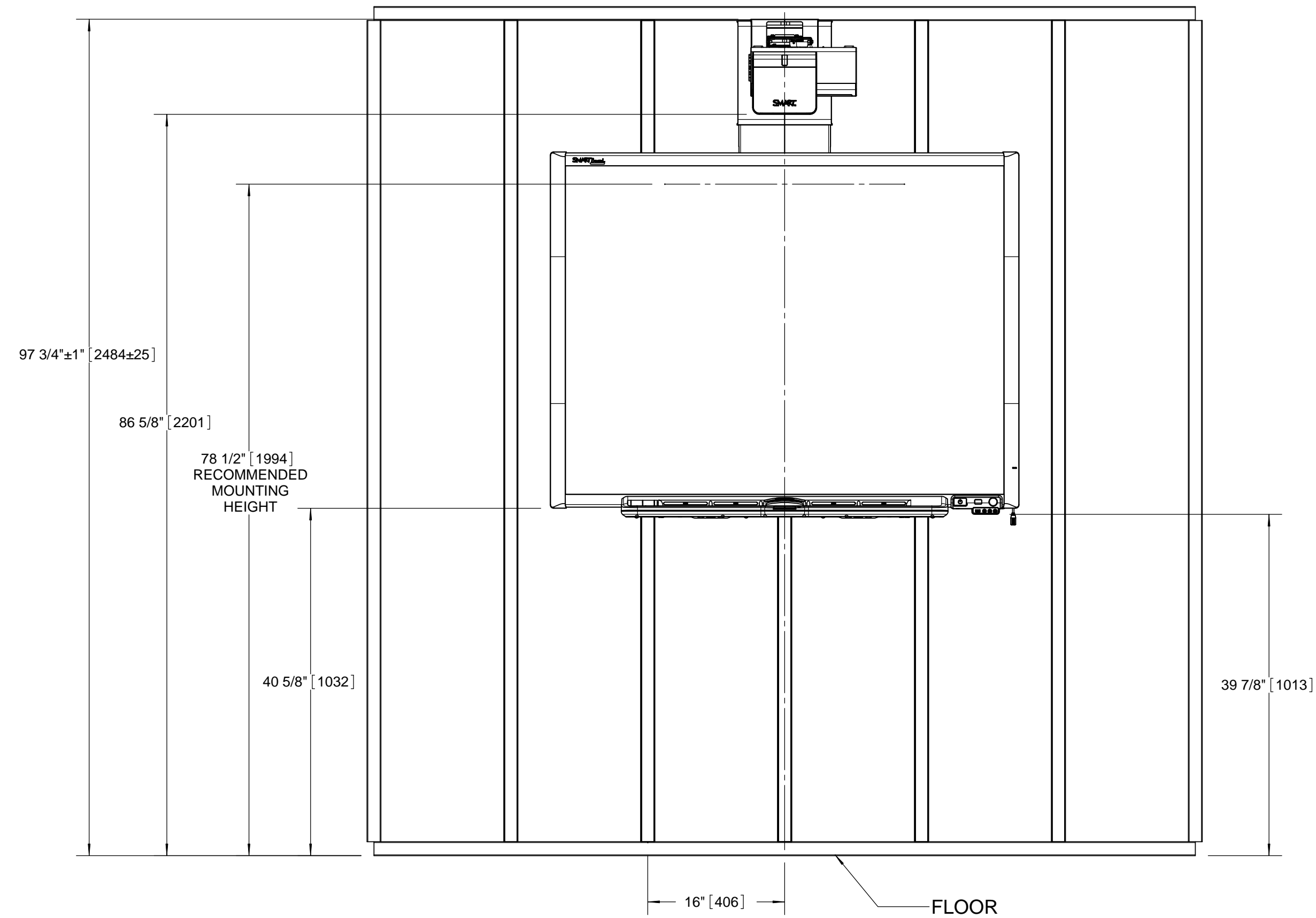
NOTE: DO NOT SCALE



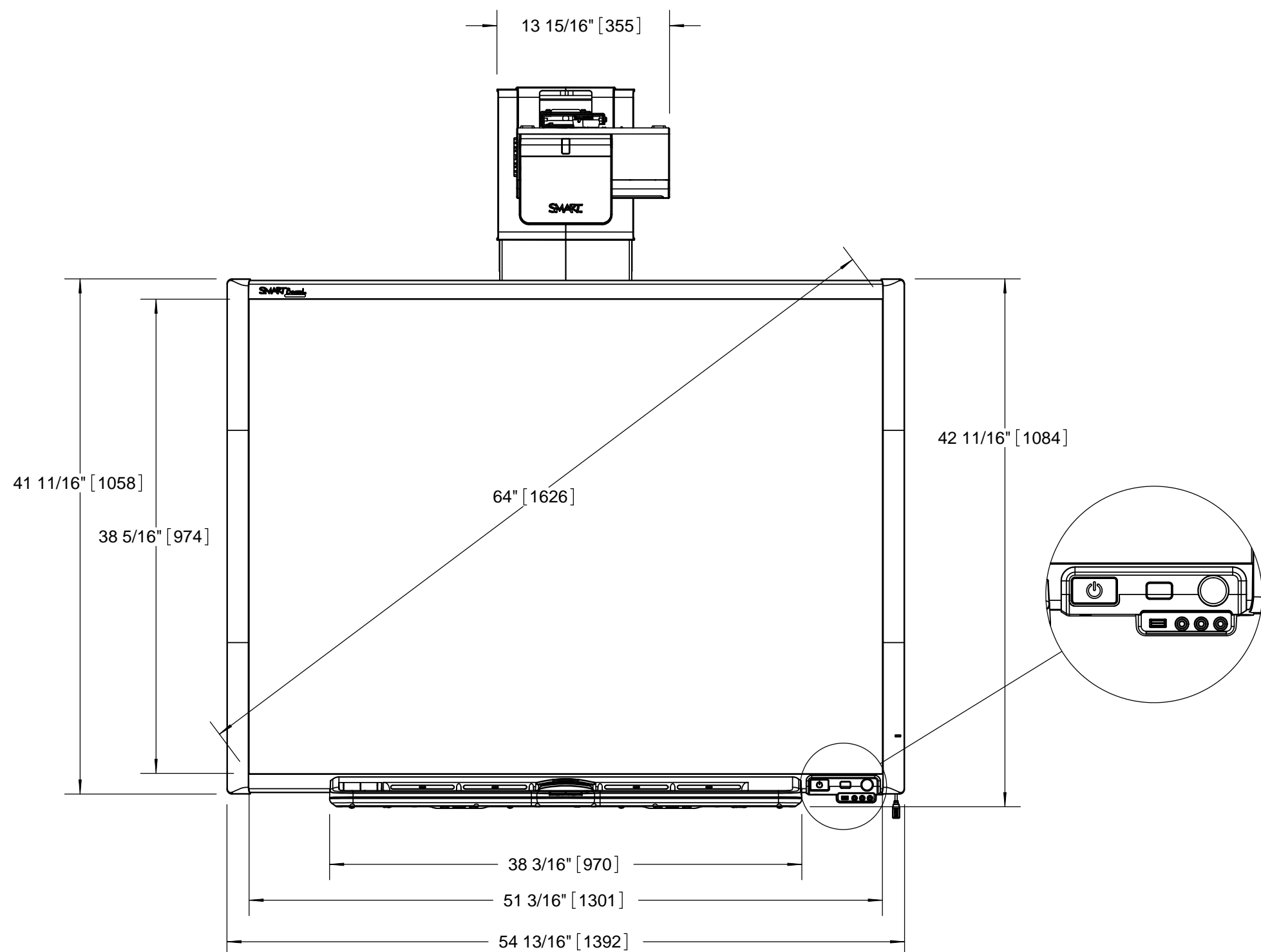
Top View



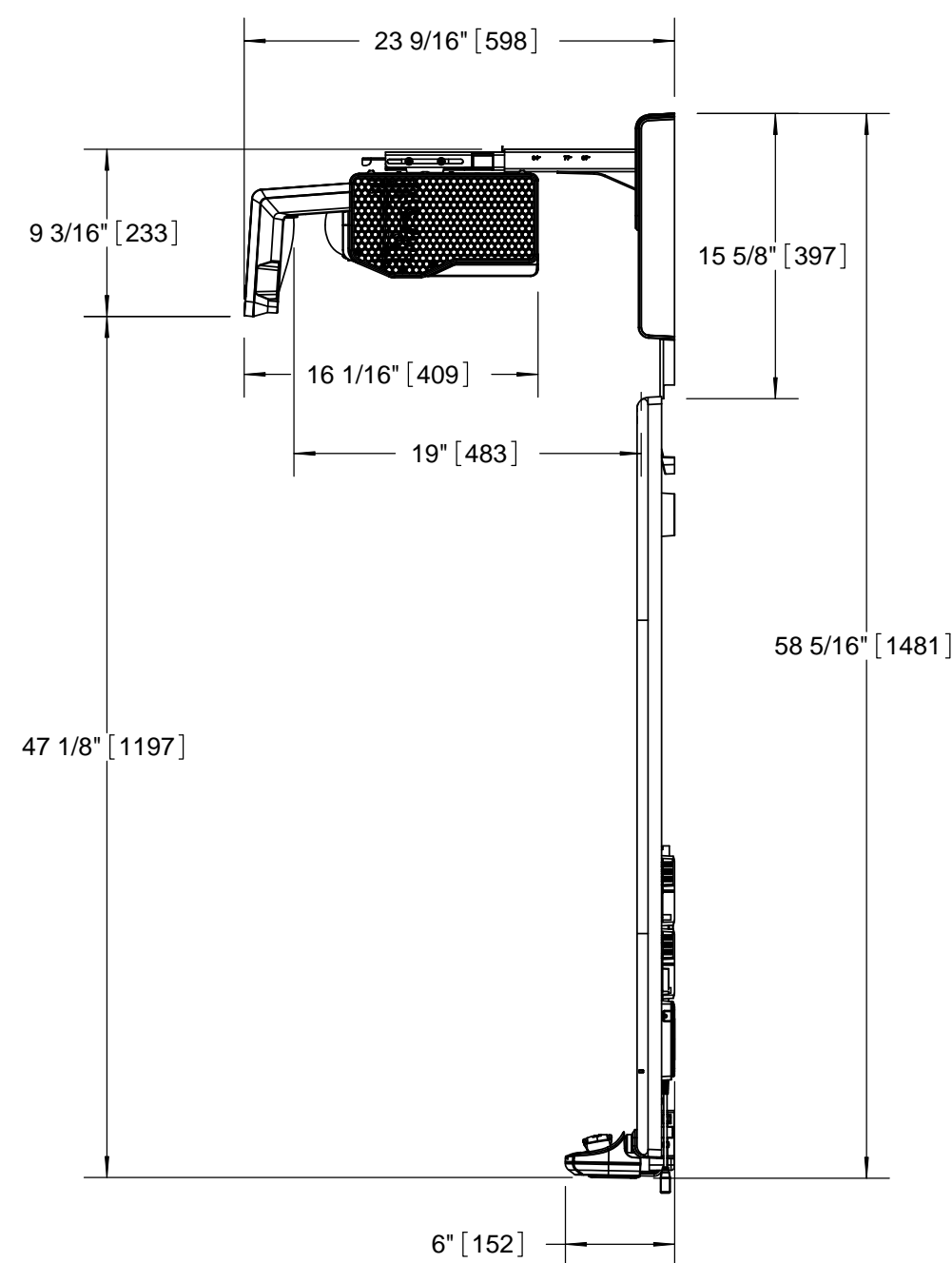
Isometric View



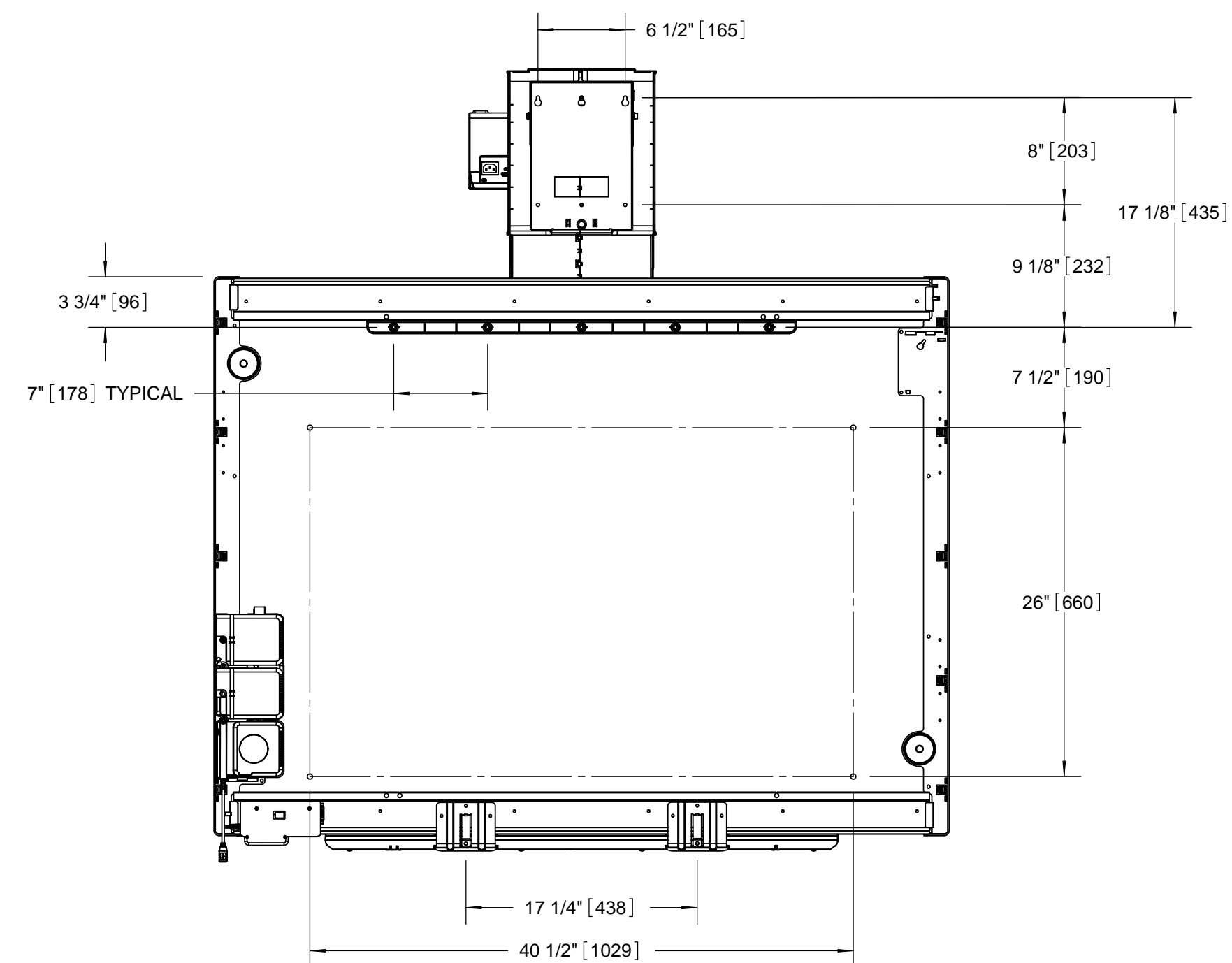
EXAMPLE OF INSTALLATION ON A FRAMED WALL



Front View



Side View



Back View



3636 Research Road NW  
Calgary, Alberta T2L 1Y1  
CANADA

[www.smarttech.com/support](http://www.smarttech.com/support)  
[www.smarttech.com/contactsupport](http://www.smarttech.com/contactsupport)

© 2011 SMART Technologies ULC.  
All rights reserved.  
The SMART logo, smarttech and all SMART taglines are trademarks or registered trademarks of SMART Technologies ULC in the U.S. and/or other countries.  
Patent No. US6320597; US6326954; US6540366; US6741267; US7151533; US7687736; US7757001; USD616462; and USD617332.  
Other patents pending. 07/2011.