

## Specifications

# SMART Board™ interactive whiteboard system

## Model 685i3

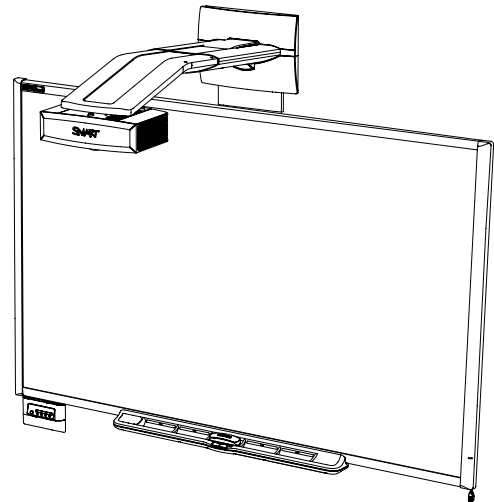
### Physical specifications

#### SMART Board™ 685 interactive whiteboard

<b>Size</b>	77 1/2" W × 49 1/2" H × 5 1/8" D (196.9 cm × 125.7 cm × 13 cm)
<b>Active screen area</b> (maximum interactive, projected image)	74" W × 46 1/8" H (188 cm × 117.2 cm) 87 1/8" (221.3 cm) diagonal, 16:10 aspect ratio
<b>Weight</b>	42 lb. (19.1 kg)
<b>Shipping size</b>	54" W × 86 1/4" H × 5 1/2" D (137.2 cm × 219.1 cm × 14 cm)
<b>Shipping weight</b>	63 lb. (28.6 kg)

#### UF55w projector system

<b>Total size</b>	18 1/2" W × 15 1/2" H × 50 1/4" D (47 cm × 39.4 cm × 127.6 cm)
<b>Remote control</b>	1 5/8" W × 3 3/8" H × 1/4" D (4 cm × 8.6 cm × 0.7 cm)
<b>Extended control panel</b>	11" W × 7 5/8" H × 2 3/8" D (27.9 cm × 19.4 cm × 6 cm)
<b>Weight</b>	33 lb. 14 oz. (15.4 kg)
<b>Shipping size</b>	
Accessory box	39 3/4" W × 9 1/2" H × 16" D (100.9 cm × 24.1 cm × 41.2 cm)
Projector box	18 1/2" W × 15 1/8" H × 8 1/4" D (47 cm × 38.5 cm × 21 cm)
<b>Shipping weight</b>	41 lb. 3 oz. (18.7 kg)



All dimensions +/- 1/8" (0.3 cm). All weights +/- 2 lb. (0.9 kg).

## Standard features

<b>Software</b>	Software Notebook™ collaborative learning software included. See the <a href="#">SMART Notebook release notes</a> for a complete list of system requirements. Software upgrades are available at <a href="http://smarttech.com/software">smarttech.com/software</a> .
<b>Environmental compliance</b>	China EIP, EU WEEE and EU RoHS
<b>Regulatory certification</b>	CSA (U.S./Canada), CB, CE, FCC, C-Tick and VCCI
<b>Warranty</b>	The projector and extended control panel (ECP) have a three-year limited equipment warranty. The UF55w projector lamp has a 500 hour/90 day warranty. Your interactive whiteboard has a two-year limited equipment warranty or a five-year limited equipment warranty upon registration. See included warranty documents for details.
<b>Cables</b>	Includes the necessary cables to connect the projector to the ECP. However, you must supply the appropriate input cables for your personal computer and devices.

## Interactive whiteboard features

<b>Pen tray</b>	Optical sensors in the pen tray detect when you lift a pen or the eraser from the tray. LEDs indicate the active tool.
<b>Pens and eraser</b>	Black, red, green and blue pens and a rectangular eraser
<b>Resolution</b>	Touch resolution is approximately 4000 × 4000.
<b>Screen surface</b>	The hard-coated surface is tear proof, optimized for projection, compatible with dry-erase markers and cleans easily with whiteboard cleaner.
<b>Digitizing technology</b>	Resistive technology
<b>Frame finish</b>	Dark gray (approximates Pantone® Charcoal Gray 18-0601 TPX) and Ultrasonic Chrome (approximates metallic Pantone 877C)
<b>Wall-mount bracket</b>	Includes two 32" (81.3 cm) wide brackets, 10 screws and 10 drywall anchors to support your wall-mounted interactive whiteboard
<b>Projector mounting template</b>	This template ensures simple installation and accurate alignment between the UF55w projector and your SMART Board 685 interactive whiteboard.
<b>Installation instructions</b>	The installation instructions for your SMART Board 685i3 interactive whiteboard system are included with the UF55w projector. Don't use the installation instructions included in your SMART Board interactive whiteboard box when installing your SMART Board 685i3 interactive whiteboard system.
<b>Theft prevention</b>	The SMART Board 685 interactive whiteboard features a pen tray locking feature and a Kensington® security slot on the pen tray.

## UF55w projector system features

<b>System components</b>	UF55w projector, boom mount with a limit strap (including a controlled-collapse feature), ECP, remote control and all necessary input cables from the ECP to the projector
<b>Image adjustment</b>	The mounting boom includes mechanical adjustments for aligning the projector image with your interactive whiteboard. The projector also has a focus lever and a digital on-screen menu for brightness, contrast and other image-related attributes.
<b>Display type</b>	WXGA 1280 × 800 projector
<b>Display technology</b>	The projection engine uses DLP® technology by Texas Instruments™, providing BrilliantColor™ performance and quality Gamma 2.2 correction with Bright Room, Dark Room, sRGB, User and SMART Presentation modes.
<b>Brightness</b>	Estimated at 2000 lumens (typical) at a CCT of 6500 K by the IEC method
<b>Lamp life</b>	3000 hours (Standard 200 W mode) or 4000 hours (Economy 160 W mode)
<b>Aspect ratio</b>	Support for 16:9, 16:10 and 4:5 ratios
<b>Contrast ratio</b>	2000:1
<b>Video system compatibility</b>	NTSC, NTSC 4.43, PAL, PAL-N, PAL-M and SECAM
<b>Video interface compatibility</b>	Composite, S-video, and VESA RGB, with additional interface support for Component YPbPr and Component YCbCR inputs with the proper adapters (not included)
<b>Video format compatibility</b>	Native 16:10 aspect ratio XGA projector resolution. With scaling, supports VGA, SVGA, SXGA, QuadVGA, SXGA+ and UXGA formats.
<b>Synchronization</b>	Auto image synchronization (auto tracking, frequency, position adjustment, source detect and phase detect)
<b>Mounting hardware</b>	Hardware is included for mounting the UF55w projector and the ECP to framed and solid walls. Includes a safety tether and limit strap.
<b>Input/output connections</b>	<ul style="list-style-type: none"><li>• Two HD DB15F connectors – RGB video input from your computer and/or ECP via VGA connectors</li><li>• HD DB15F connector – video output pass-through of Video Input 1 signal</li><li>• 4-pin mini-DIN connector – S-video input</li><li>• One pair of audio jacks (RCA, stereo) – reserved for use with S-video</li><li>• Composite video connector – RCA-style video input</li><li>• One pair of audio jacks (RCA, stereo) – reserved for use with composite video</li><li>• 3.5 mm stereo jack – audio input from your computer</li><li>• 3.5 mm stereo jack – audio output to connect speakers</li><li>• DB9M – serial (RS-232) for power to and communication with the ECP</li><li>• RJ-45 – network connection for SNMP management and control, and for sending e-mail alerts</li></ul>

<b>Projector fan</b>	<ul style="list-style-type: none"><li>• Standard speed – 0 to 6000' (0 m to 1829 m): 41°F to 95°F (5°C to 35°C)</li><li>• High speed – 6000' to 6800' (1829 m to 2073 m): 41°F to 86°F (5°C to 30°C)</li></ul>
<b>Projector noise</b>	36 dBA (high fan speed) or 31 dBA (standard fan speed), measured using JIS method
<b>Power requirements</b>	100V AC to 240V AC, at 50 Hz to 60 Hz
<b>Power cable</b>	Includes a 14' 9" (4.5 m) power cable
<b>External control</b>	The RS-232 connector is configured to accept control codes from your computer or a room control system.
<b>Power consumption</b>	385 W (Standard mode) to 504 W maximum. 5 W in Standby mode.
<b>Remote control</b>	Provides an alternative method of controlling the UF55w projector settings
<b>Theft protection</b>	The UF55w projector system features an optional padlocked ring to safeguard the adjustment knob. The projector won't function if it's separated from the ECP and can't be operated without the remote control. A Kensington security lock slot is provided to affix the system to a wall as a visual and physical theft deterrent.

### ECP features

<b>Input/output connections</b>	<ul style="list-style-type: none"><li>• HD DB15F connector – RGB video from your computer (supports component video CAV, YPbPr or YUV)</li><li>• HD DB15F connector – RGB video to the projector</li><li>• DB9F – serial (RS-232) computer or room control connection</li><li>• DB25M – provides input signals and control signals to the projector</li><li>• 4-pin mini-DIN connector – S-video input</li><li>• One pair of audio jacks (RCA, stereo) – reserved for S-video</li><li>• Composite video connector – RCA-style video input</li><li>• One pair of audio jacks (RCA, stereo) – reserved for composite video</li><li>• 3.5 mm stereo jack – computer audio input</li></ul>
<b>Power button</b>	Turns the projector on and off
<b>Input selection buttons</b>	Provide control for the following input types: <ul style="list-style-type: none"><li>• S-video and associated audio (RCA jacks)</li><li>• Composite video and associated audio (RCA jacks)</li><li>• Computer 2 VGA input and associated 3.5 mm audio stereo jack</li></ul>

## Storage and operating specifications

- Storage**
- Maximum storage temperature: 122°F (50°C)
  - Minimum storage temperature: -40°F (-40°C)
- Operation**
- Using standard fan speed, 41°F to 95°F (5°C to 35°C) from sea level to an altitude up to 6000' (0 m to 1829 m)
  - Using high fan speed, 41°F to 86°F (5°C to 30°C) from 6000' to 6800' (1829 m to 2073 m)
  - In Service mode, 41°F to 86°F (5°C to 30°C) from 6800' to 9800' (2073 m to 2987 m)

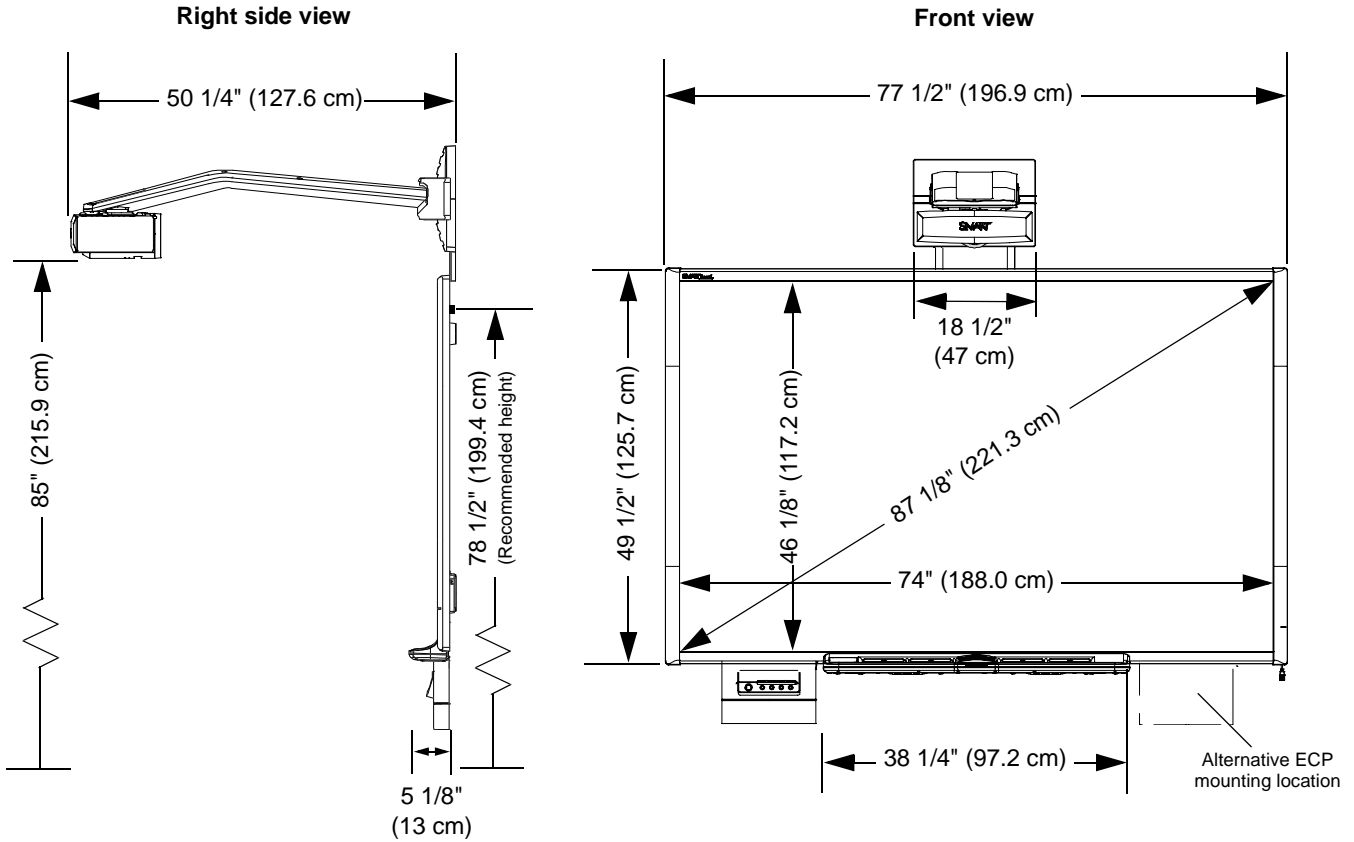
## SMART order numbers

- SB685i3** 87 1/8" (221.3 cm) diagonal SMART Board 685 interactive whiteboard with a UF55w projector system
- 20-01032-20** Replacement projector lamp

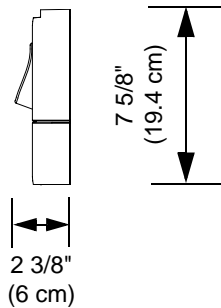
## Optional accessories

- RPEN-ER** Replacement set of four pen tray pens (black, red, green and blue) and a rectangular eraser
- RPEN** Replacement set of four pen tray pens (black, red, green and blue)
- SBA** USB audio system for SMART Board 600i interactive whiteboard systems

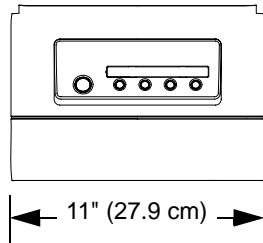
## Physical dimensions



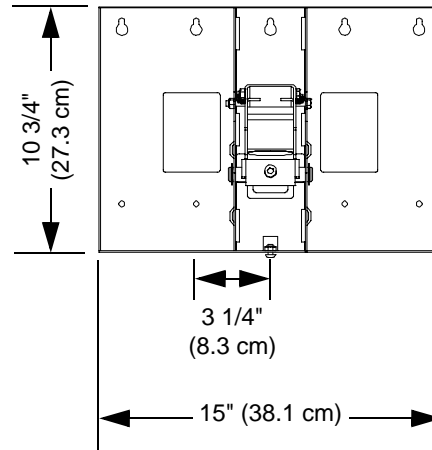
**ECP right side view**



**ECP front view**



**Projector mounting bracket**



[www.smarttech.com/support](http://www.smarttech.com/support) [www.smarttech.com/contactsupport](http://www.smarttech.com/contactsupport)  
 Support +1.403.228.5940 or Toll Free 1.866.518.6791 (U.S./Canada)

