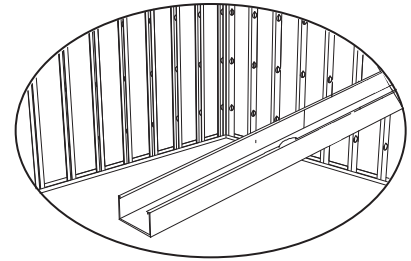
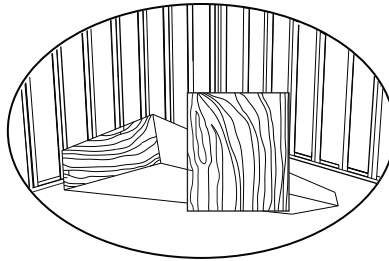
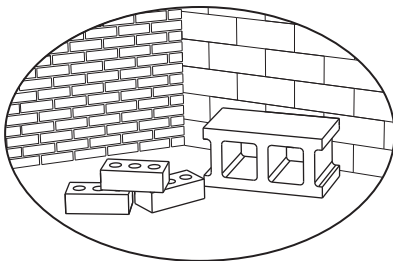
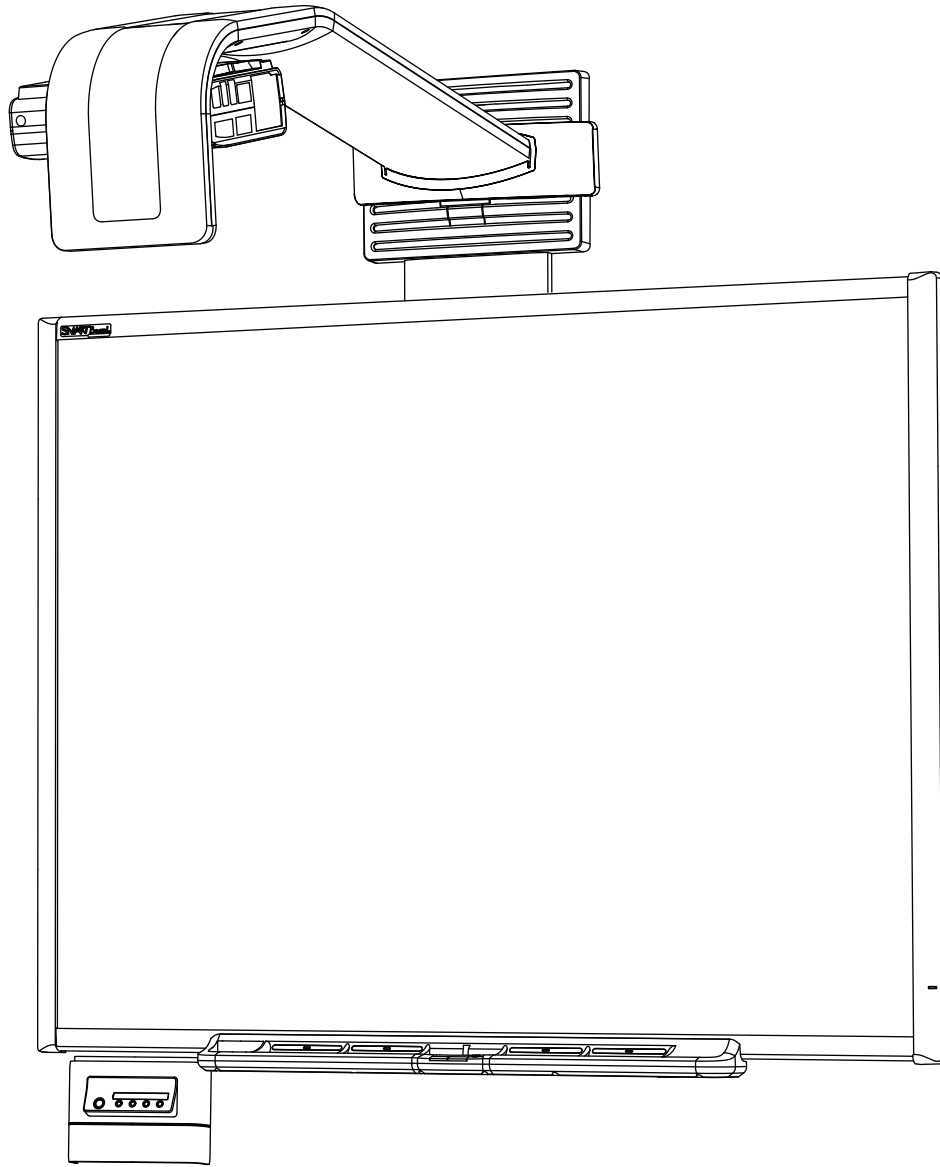
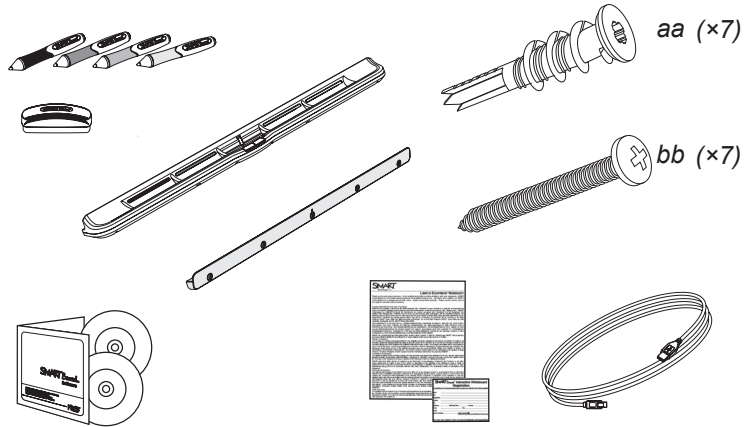
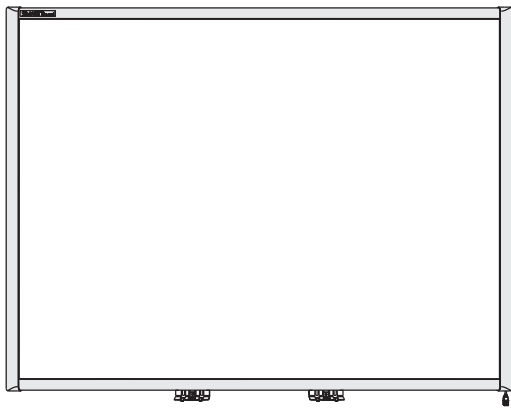


SMART Board™ 600i2 Interactive Whiteboard System

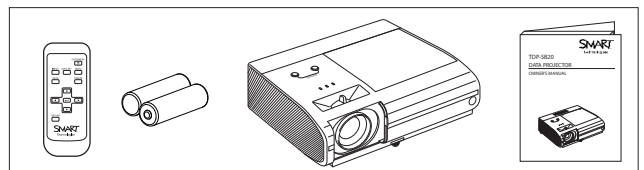
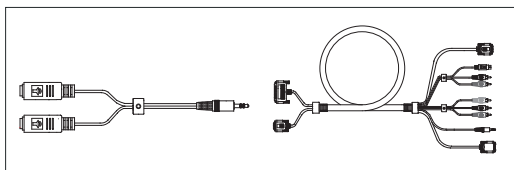
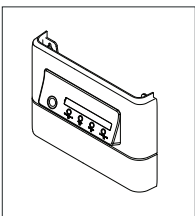
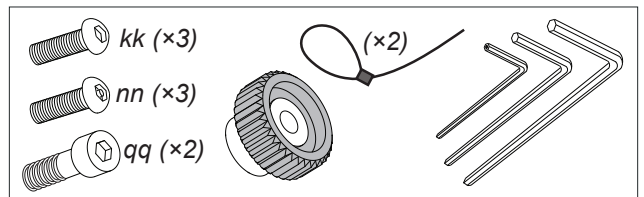
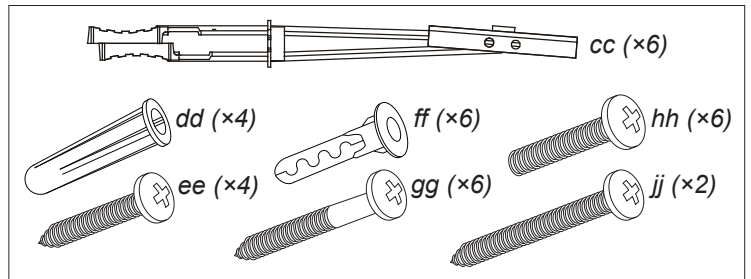
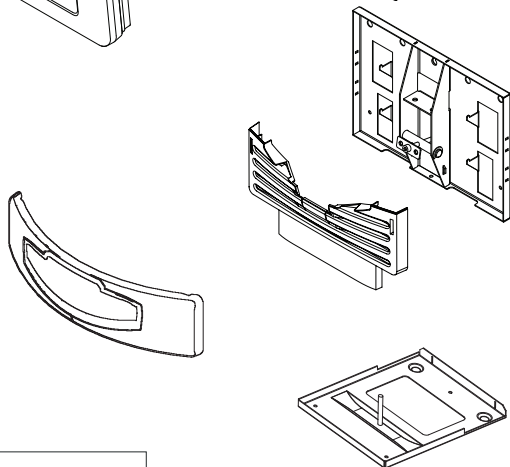
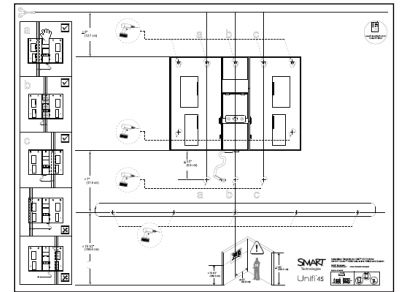
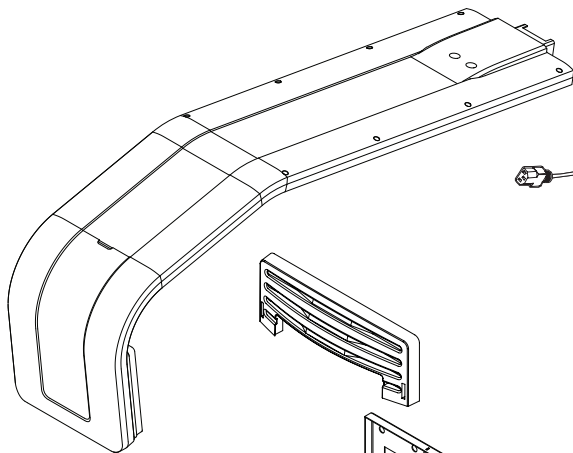


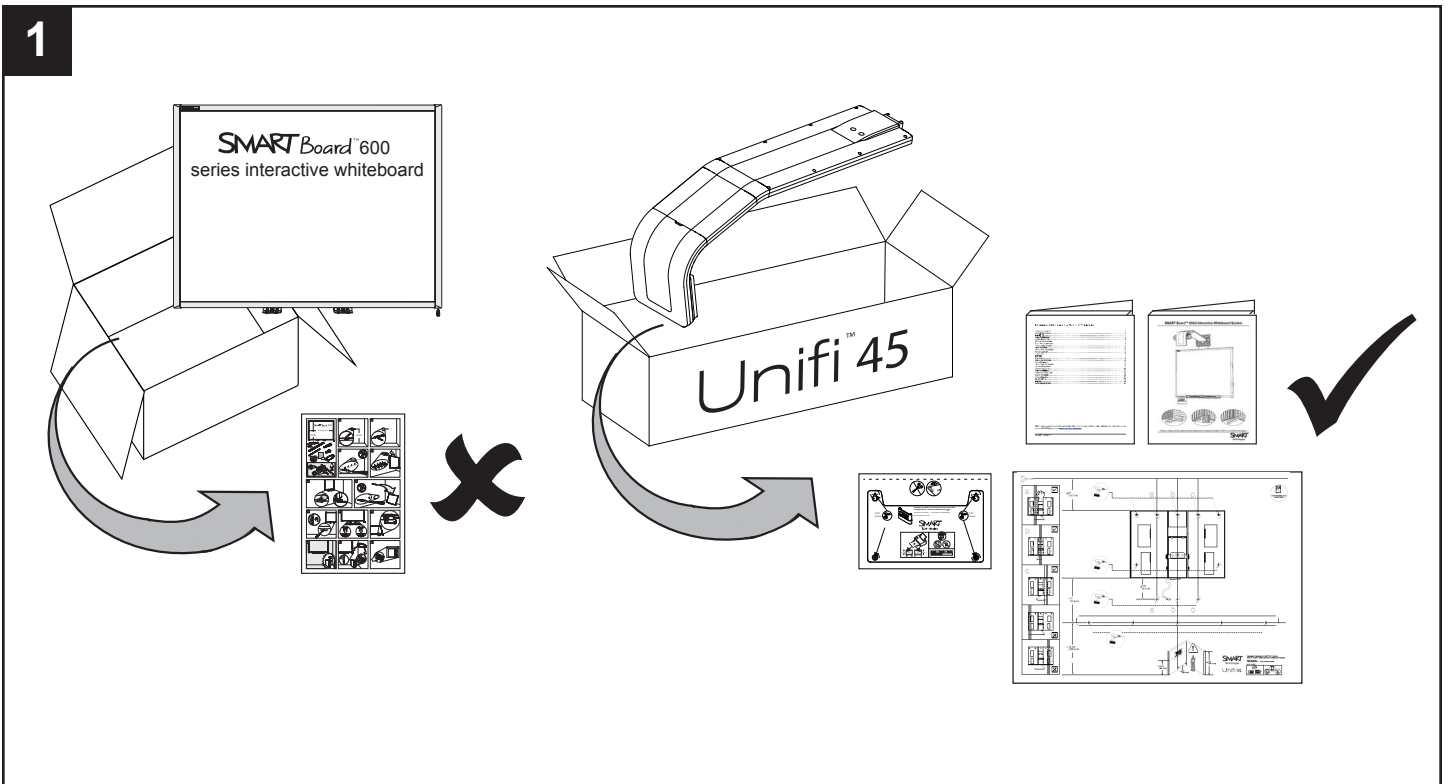
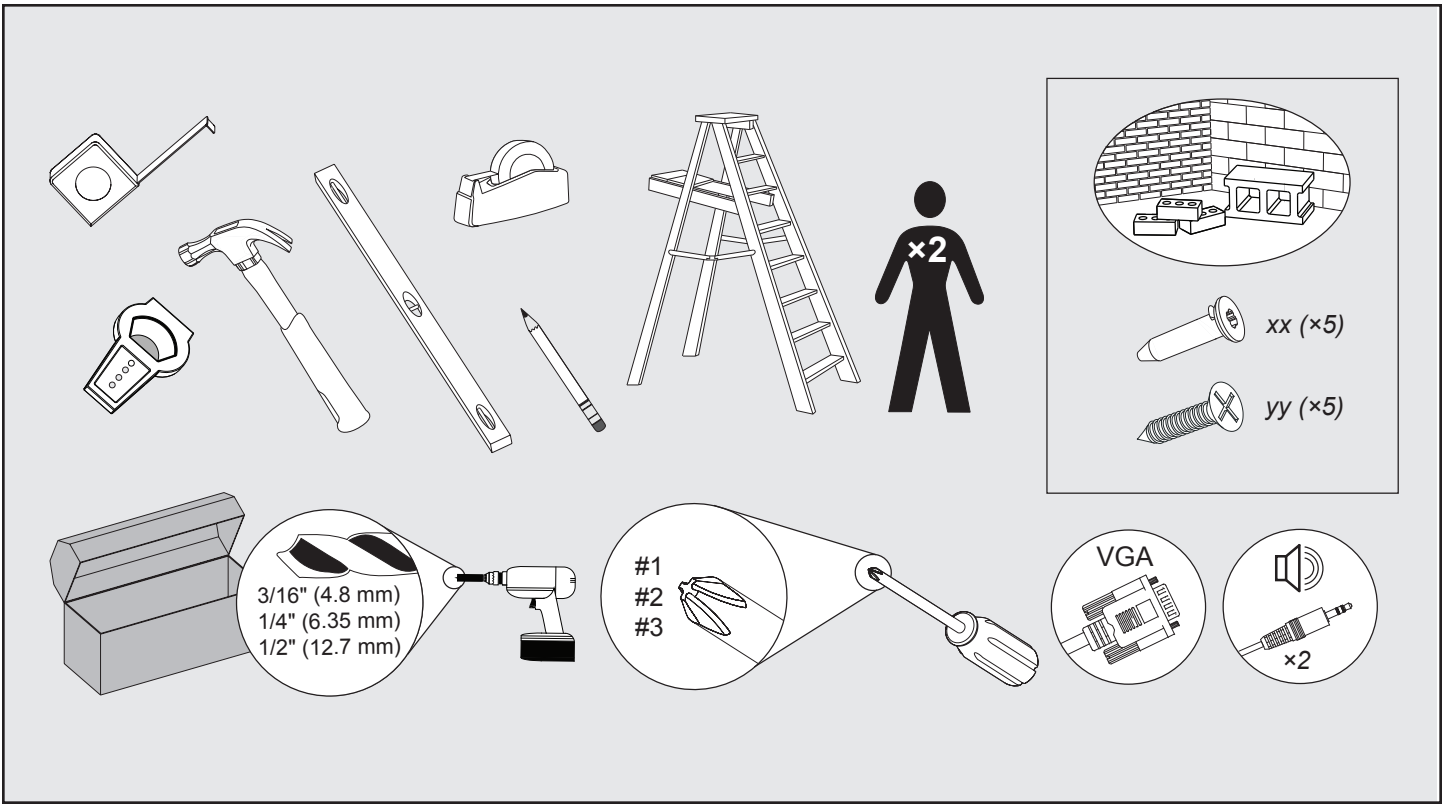
Cautions, warnings and other important product information are contained in document 124023 at www.smarttech.com/support.

SMART Board™ 600 series interactive whiteboard

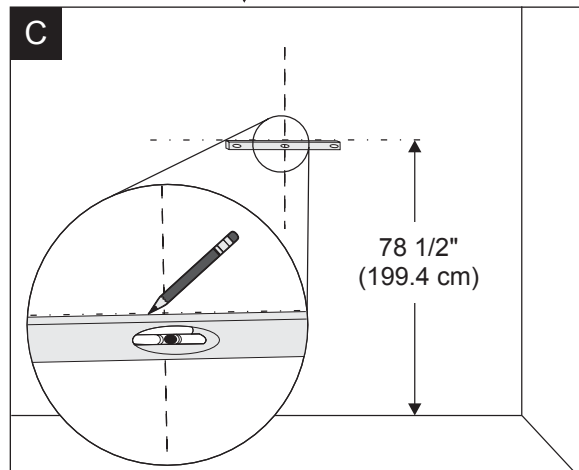
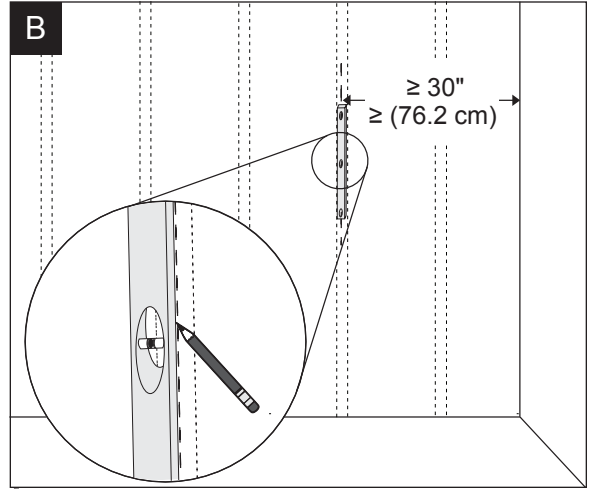
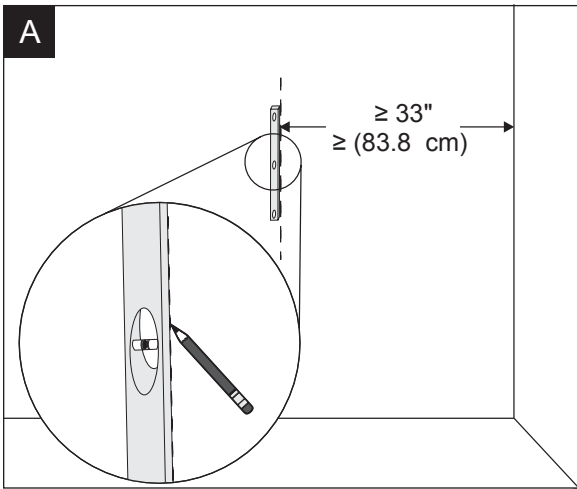
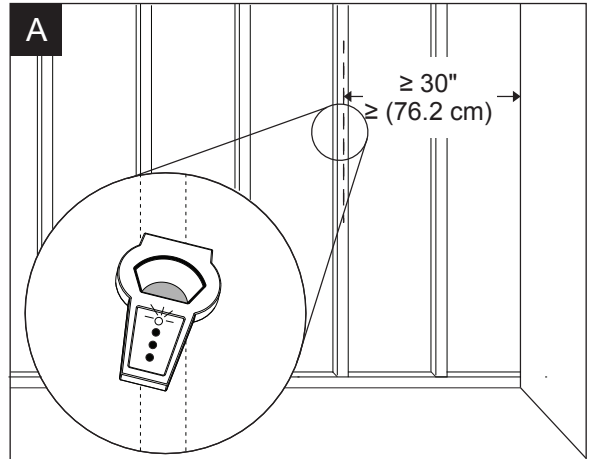
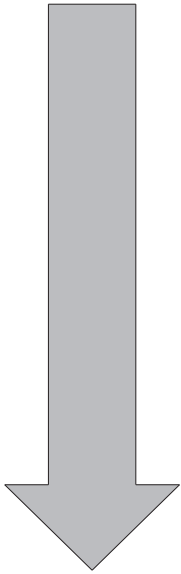
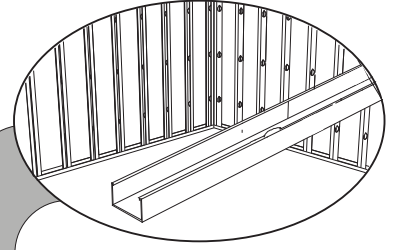
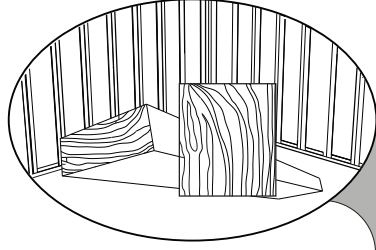
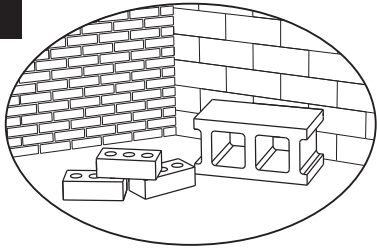


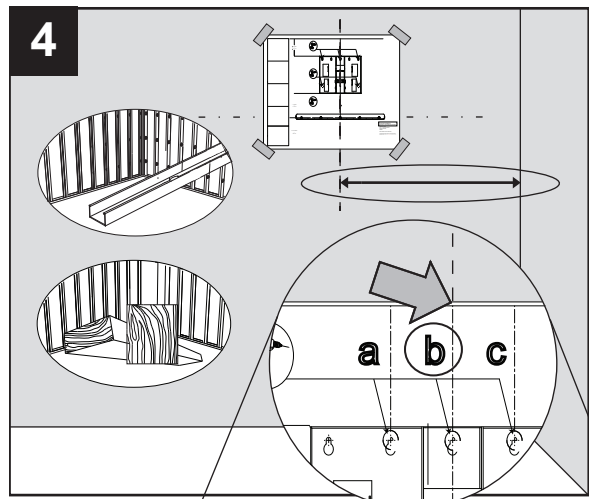
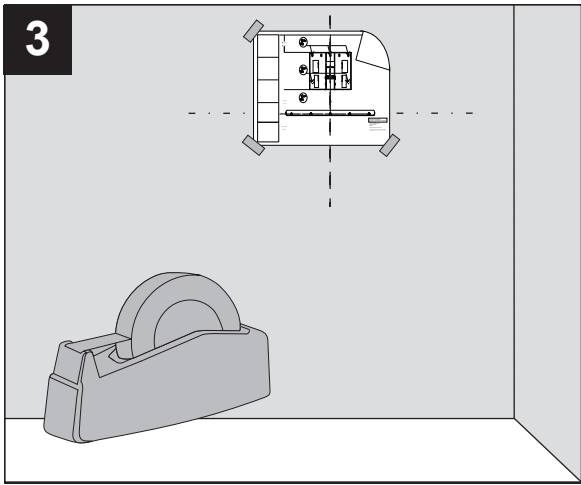
Unifi 45™ projector system



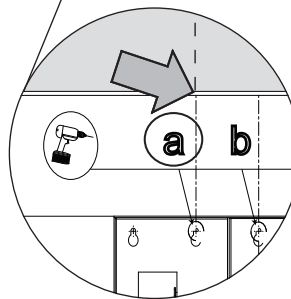
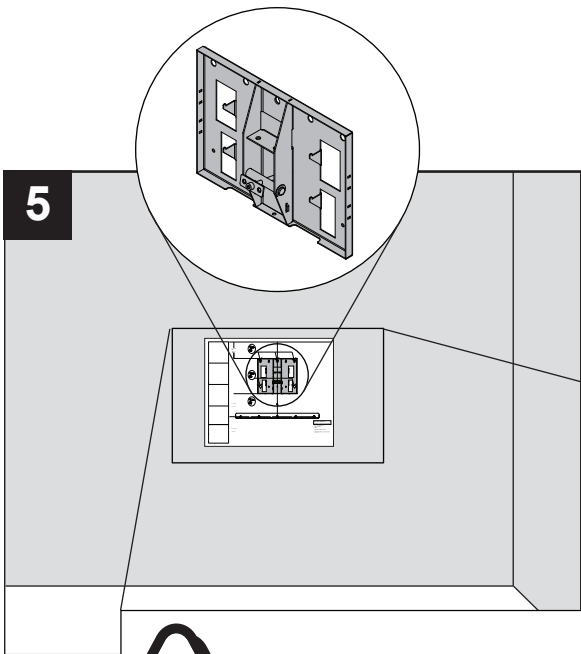


2

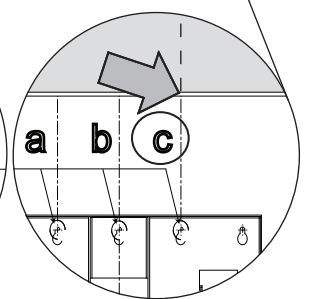




≥ 33" (83.8 cm)



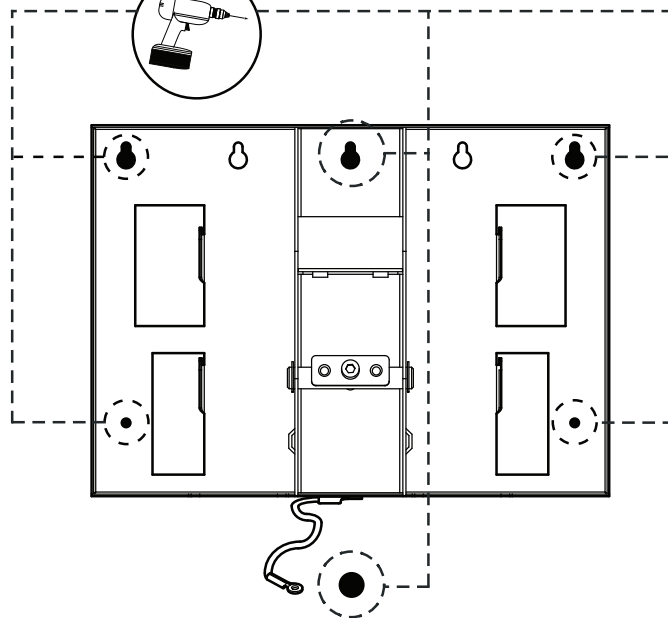
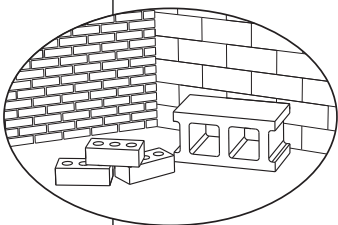
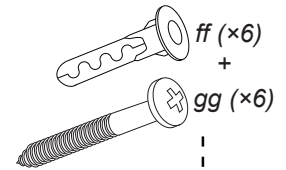
≥ 36 1/4" (92.1 cm)
(+ 3 1/4")

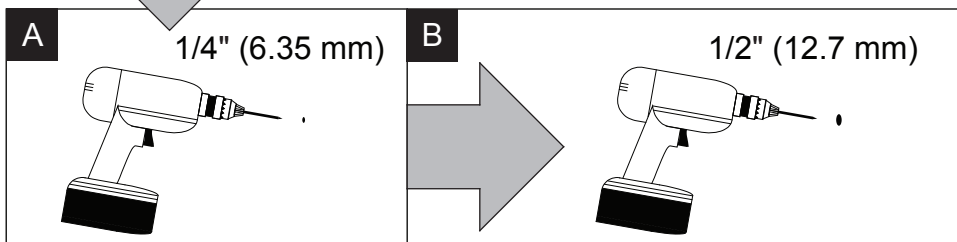
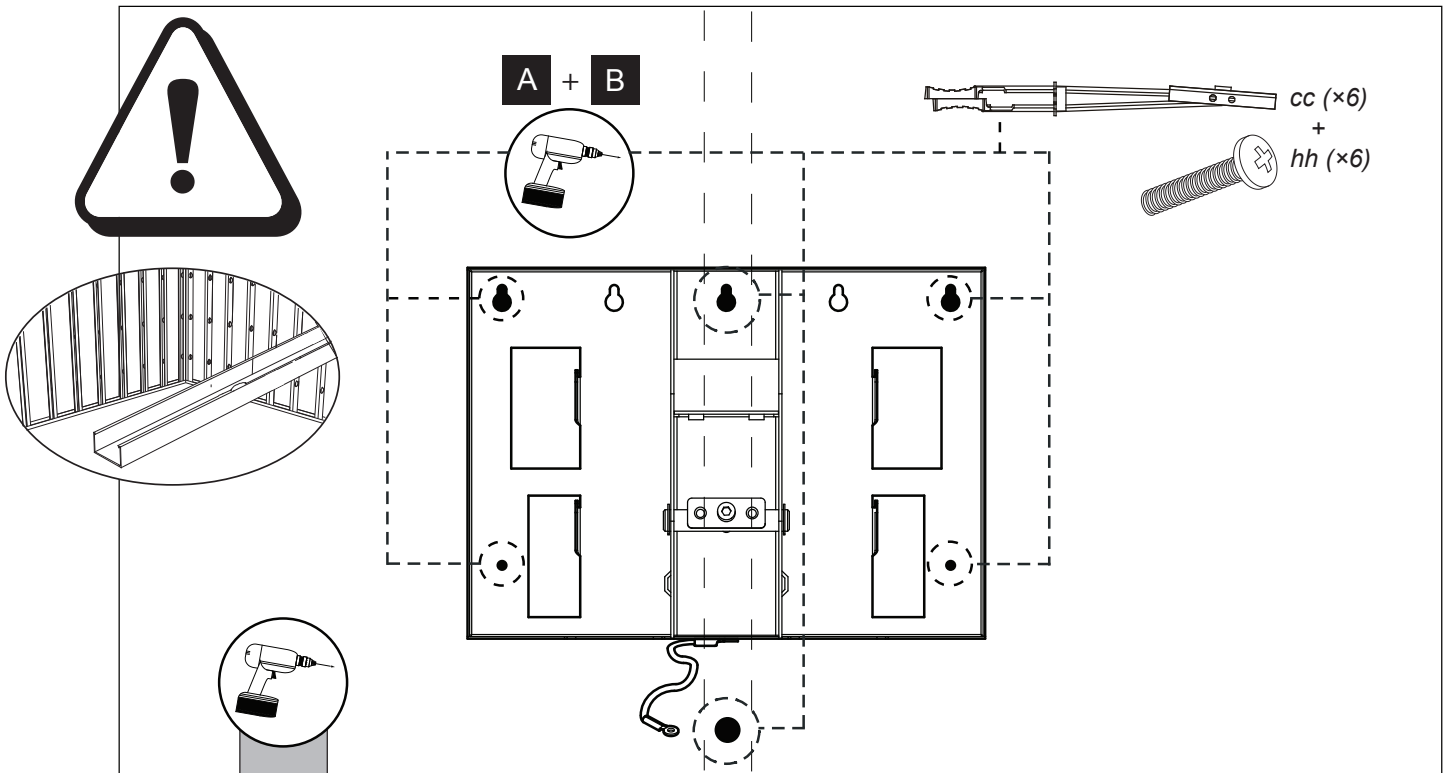
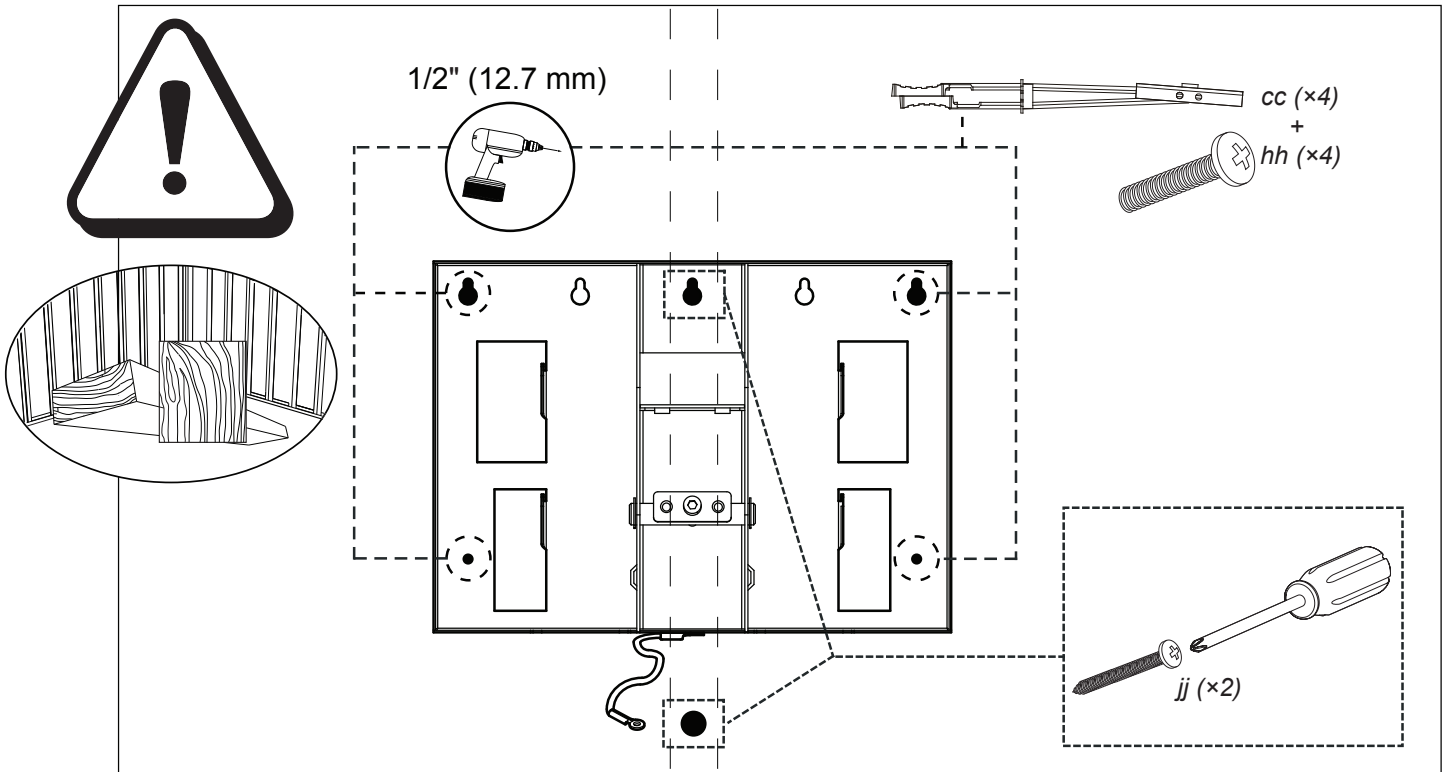


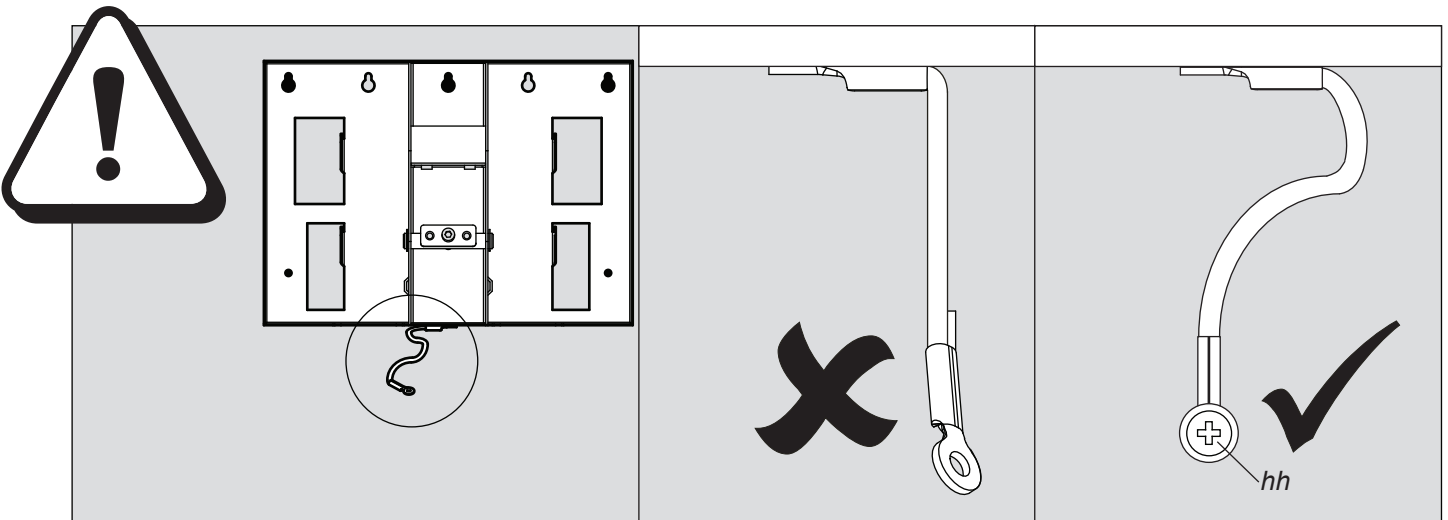
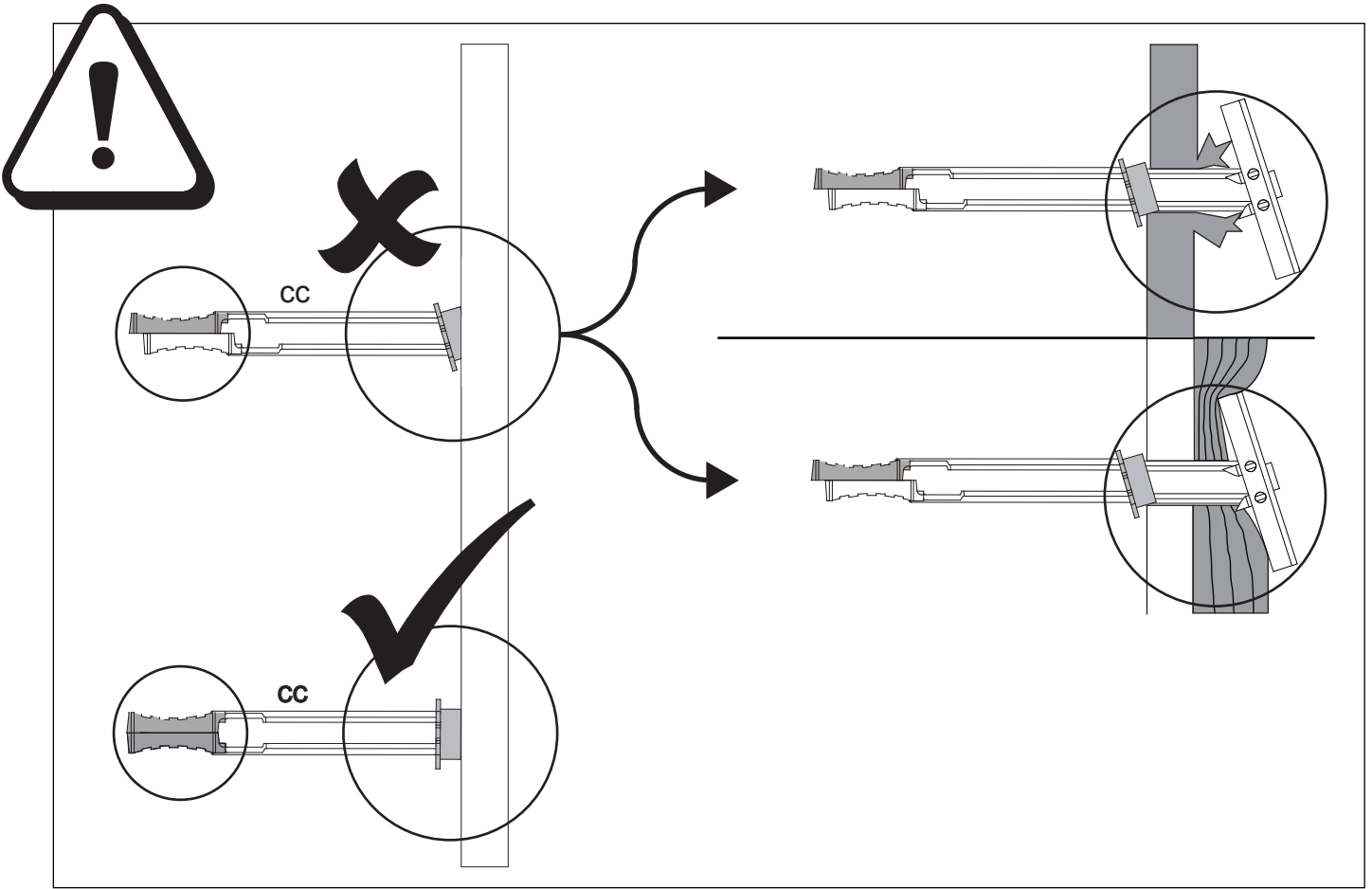
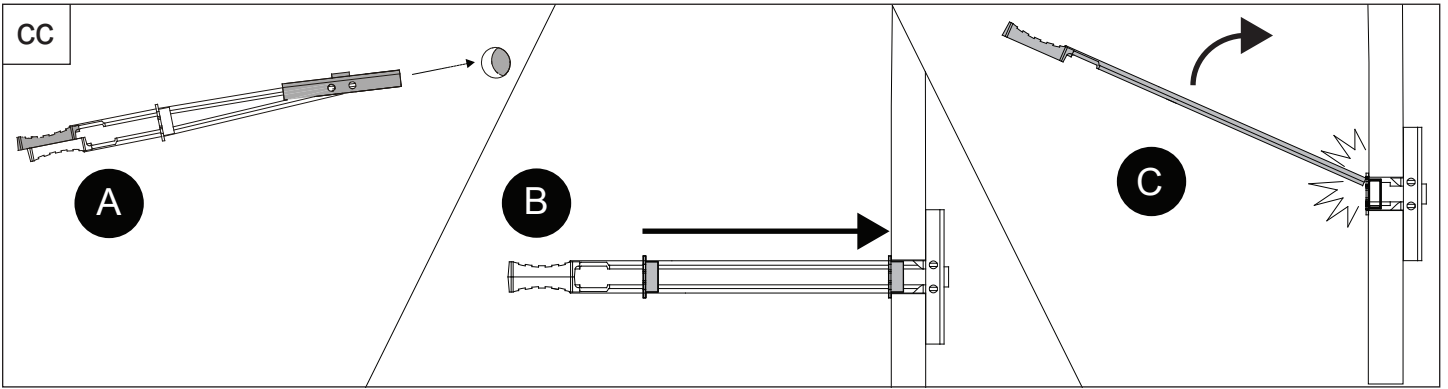
≥ 29 3/4" (75.6 cm)
(- 3 1/4")



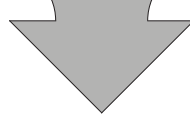
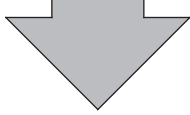
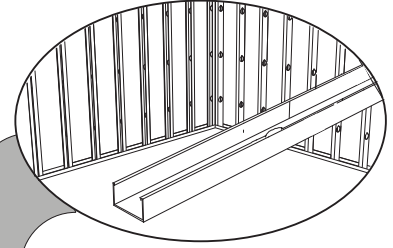
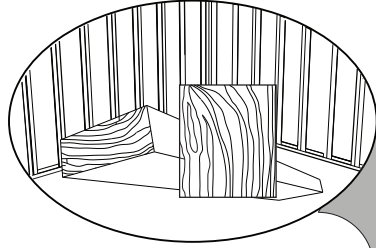
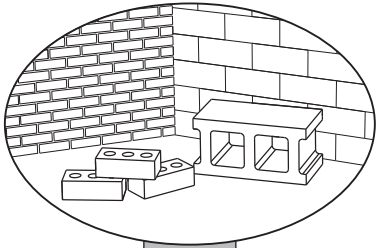
1/4" (6.35 mm)



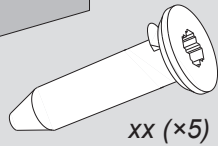
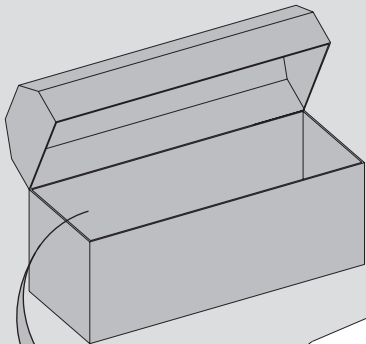




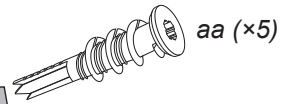
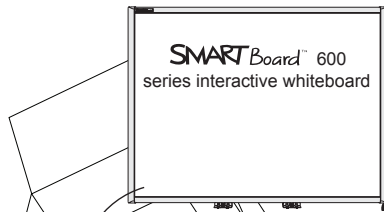
6



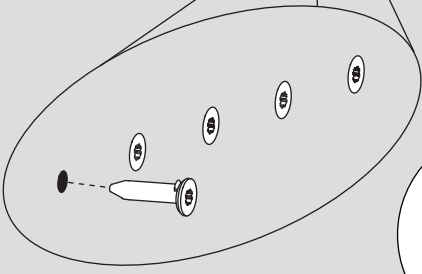
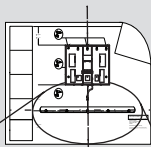
A



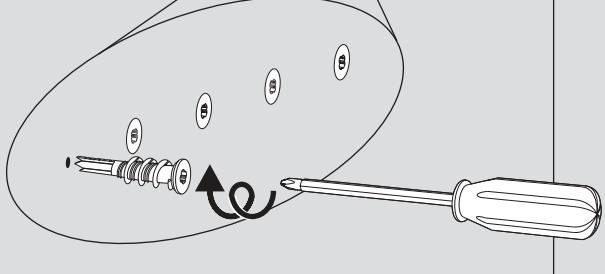
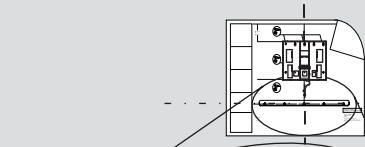
A

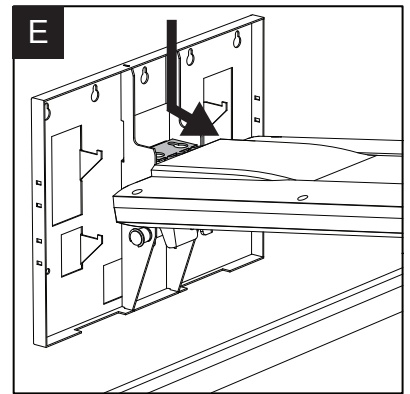
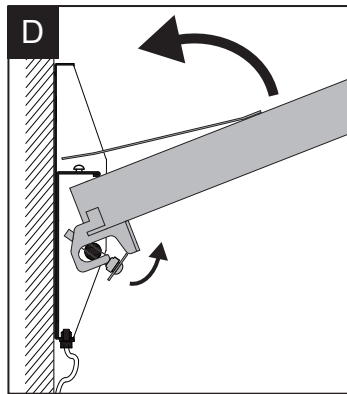
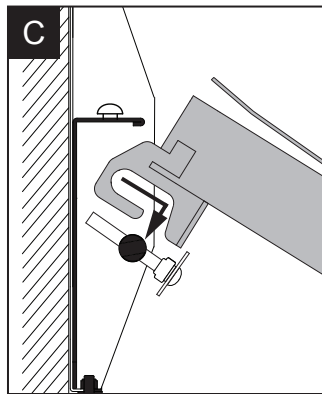
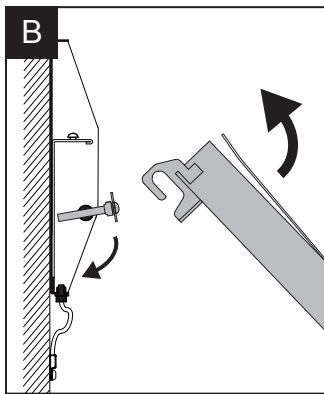
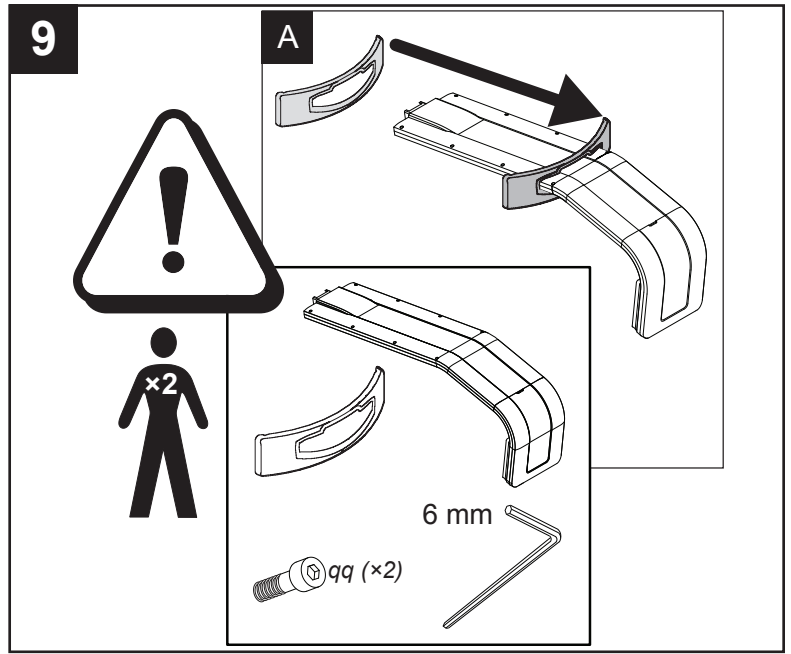
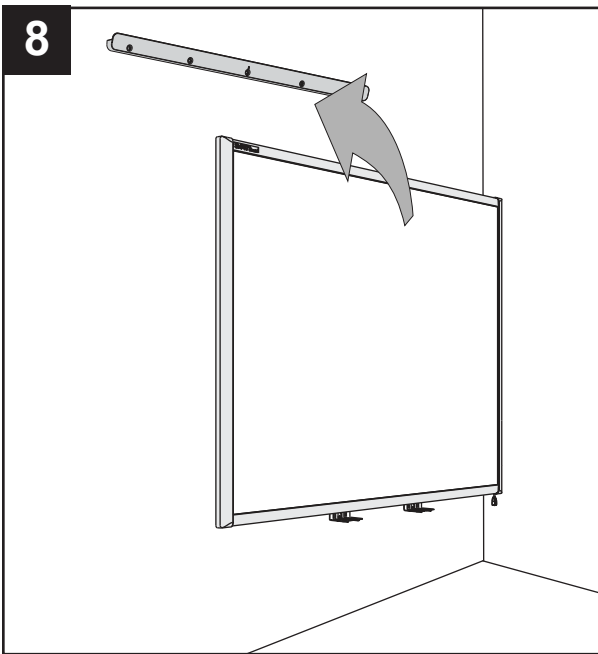
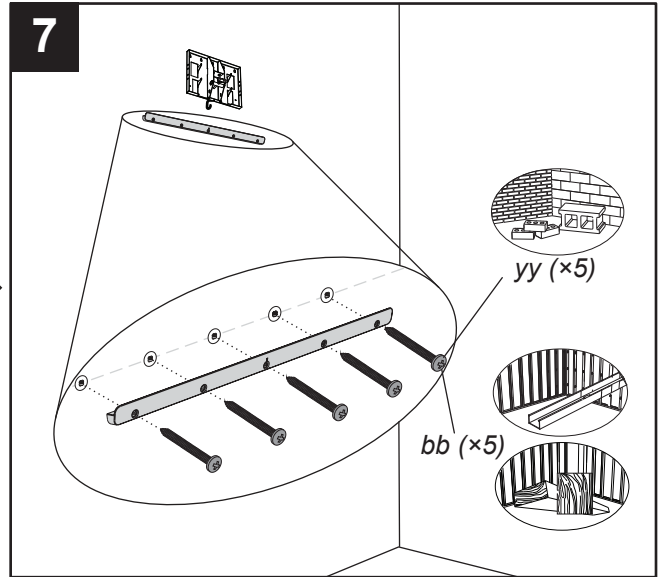
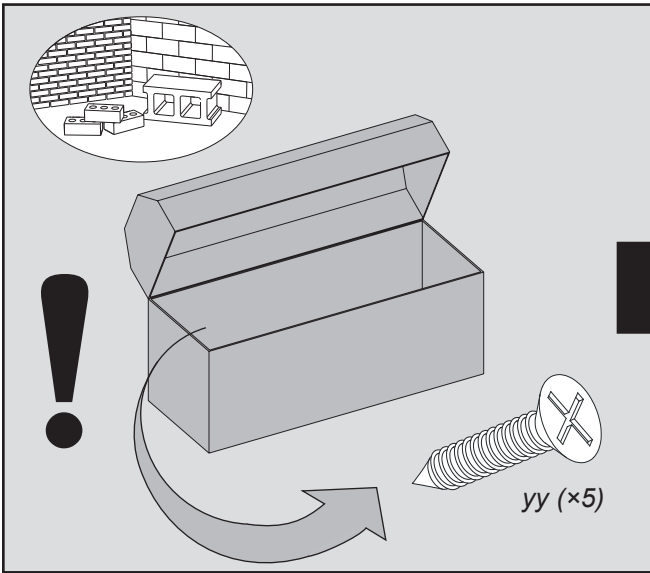


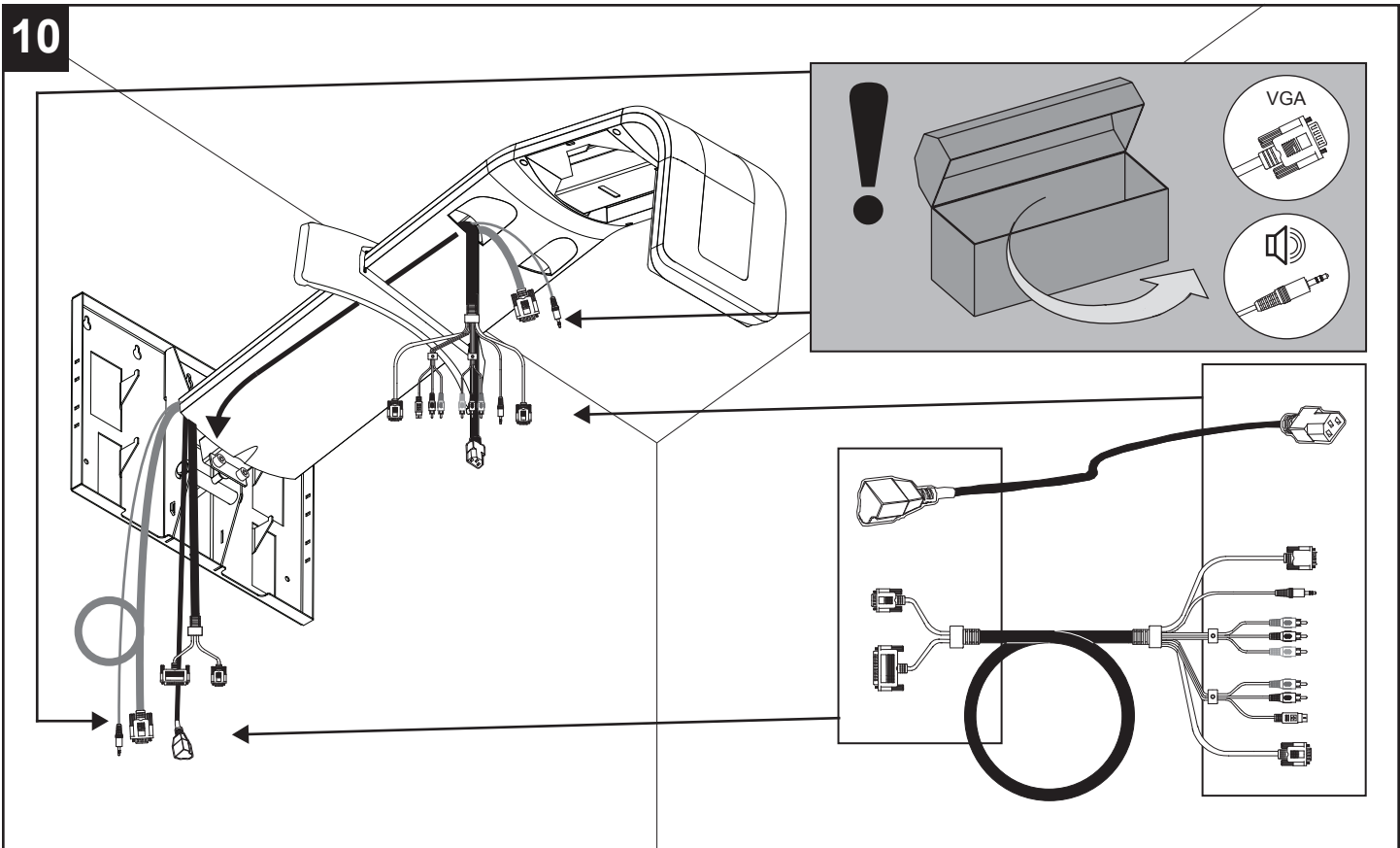
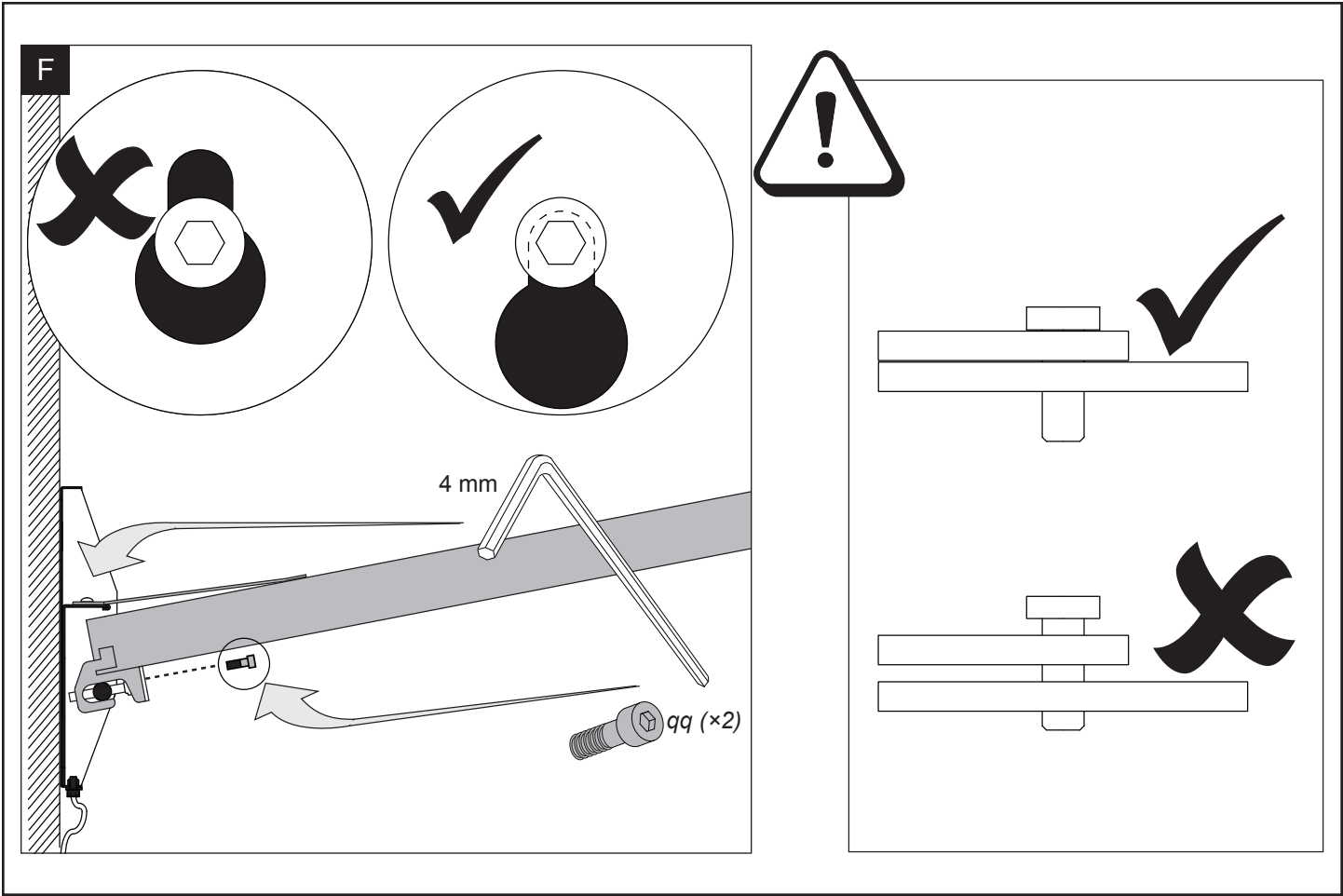
B

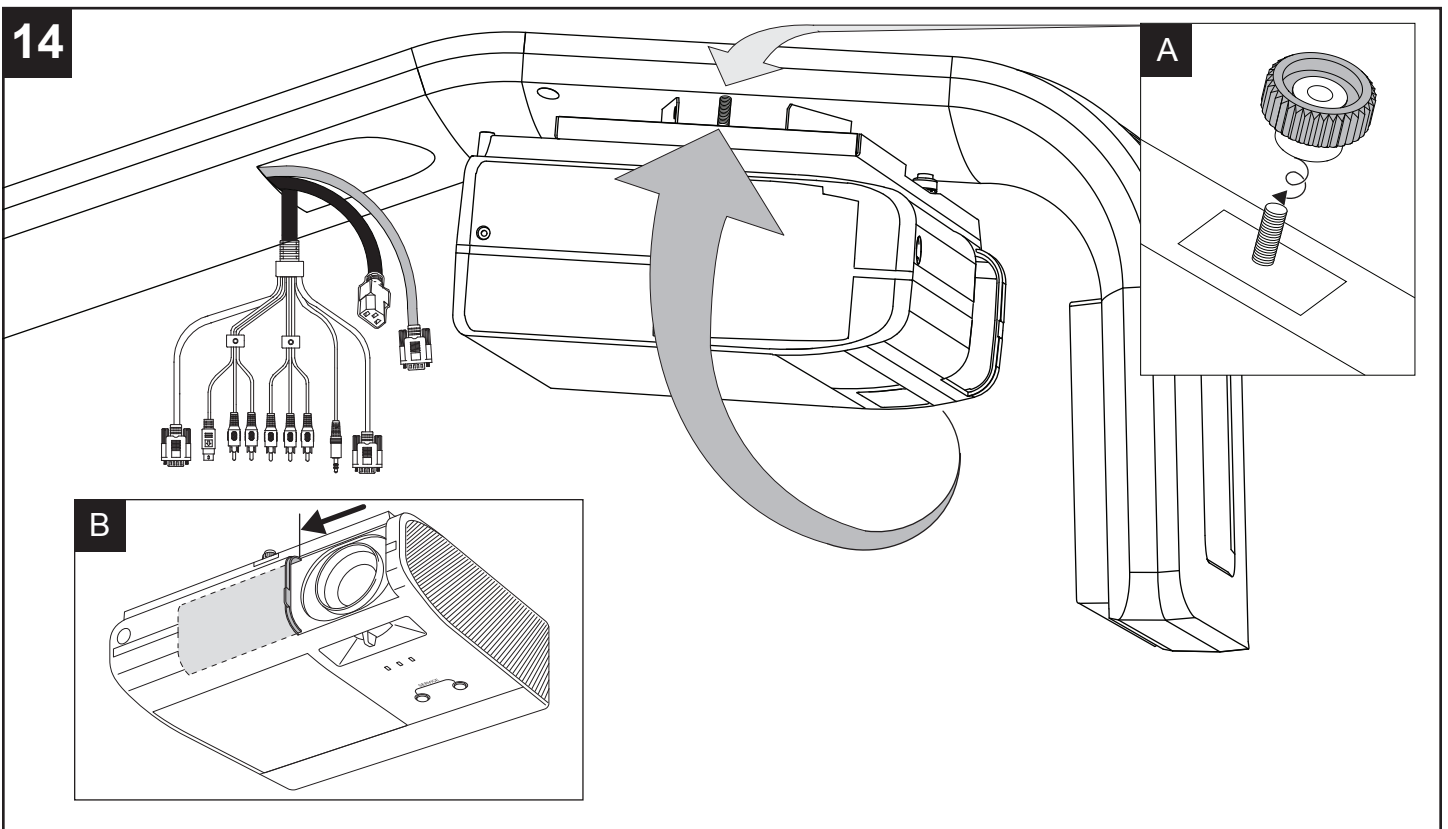
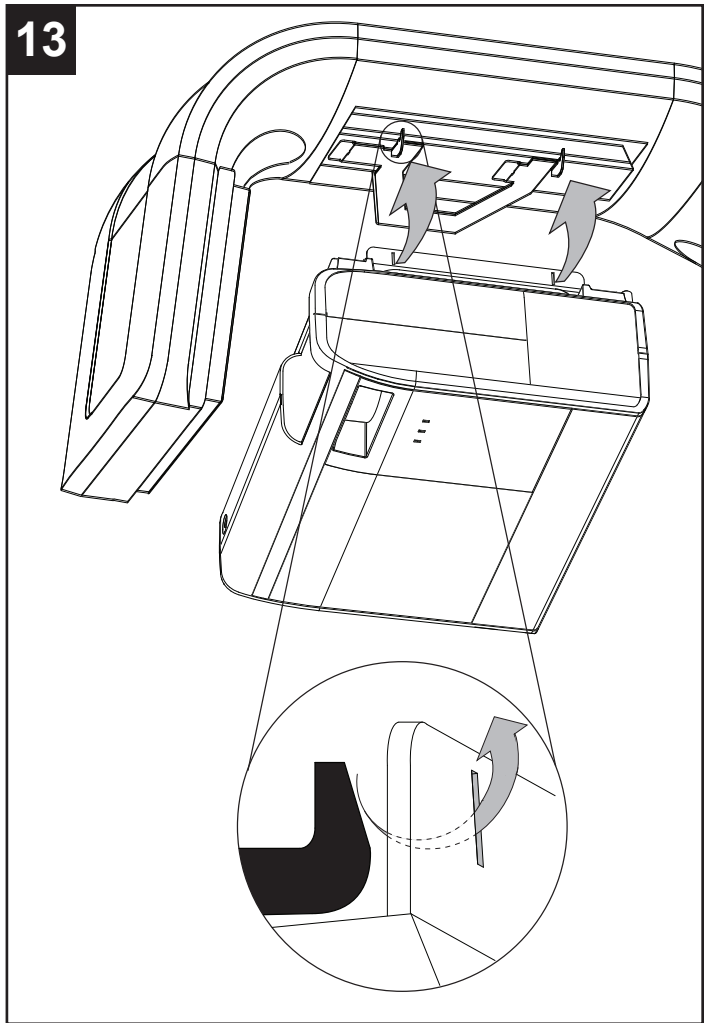
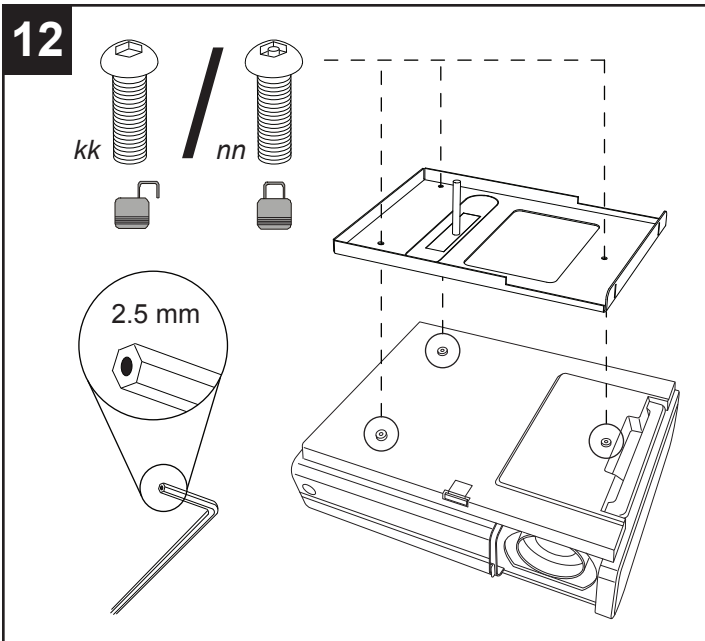
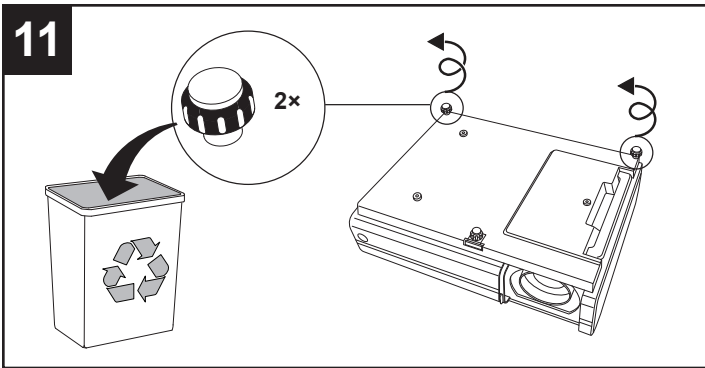


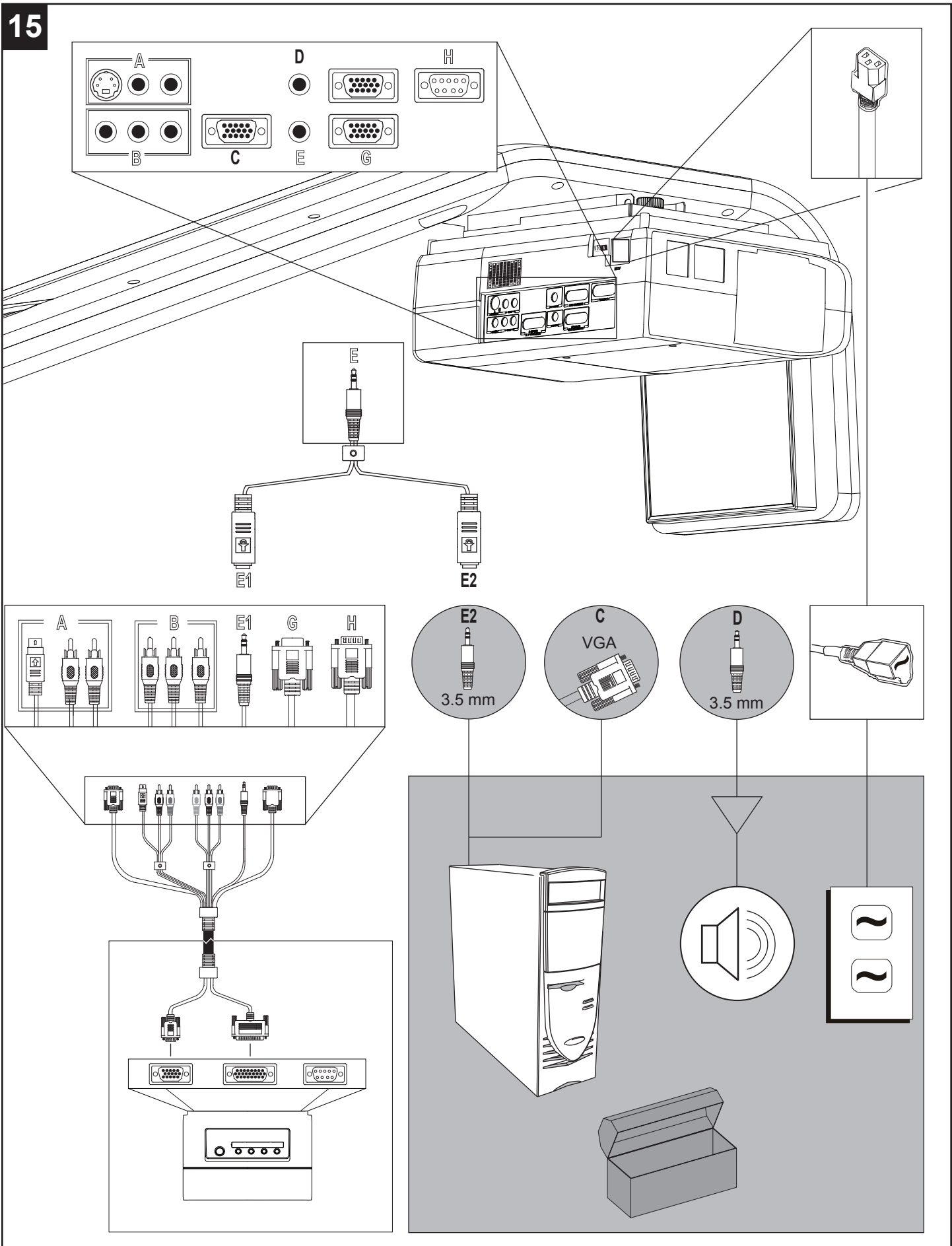
B





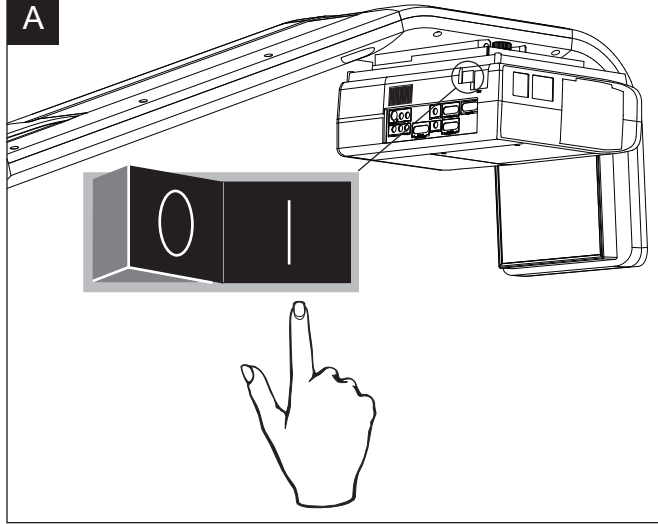




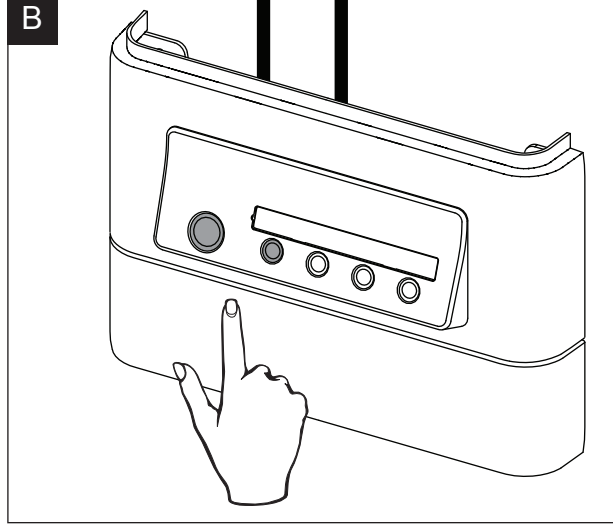


16

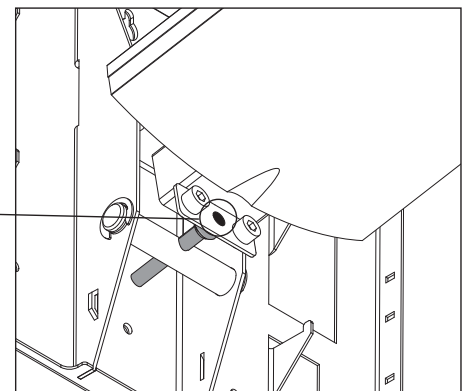
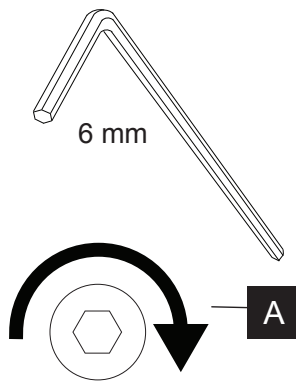
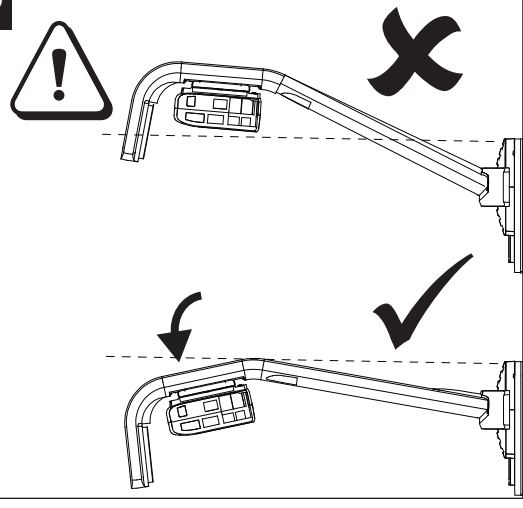
A



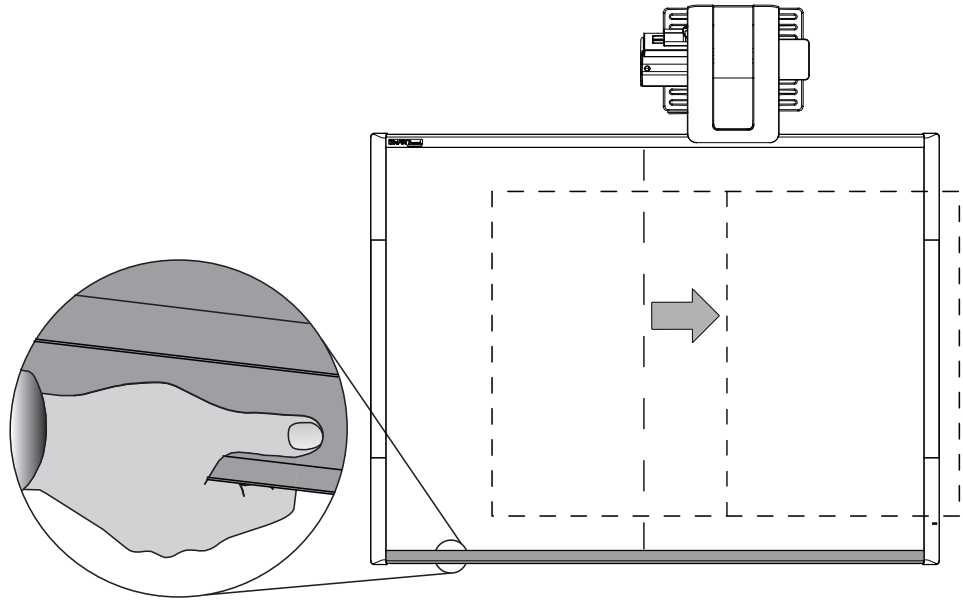
B

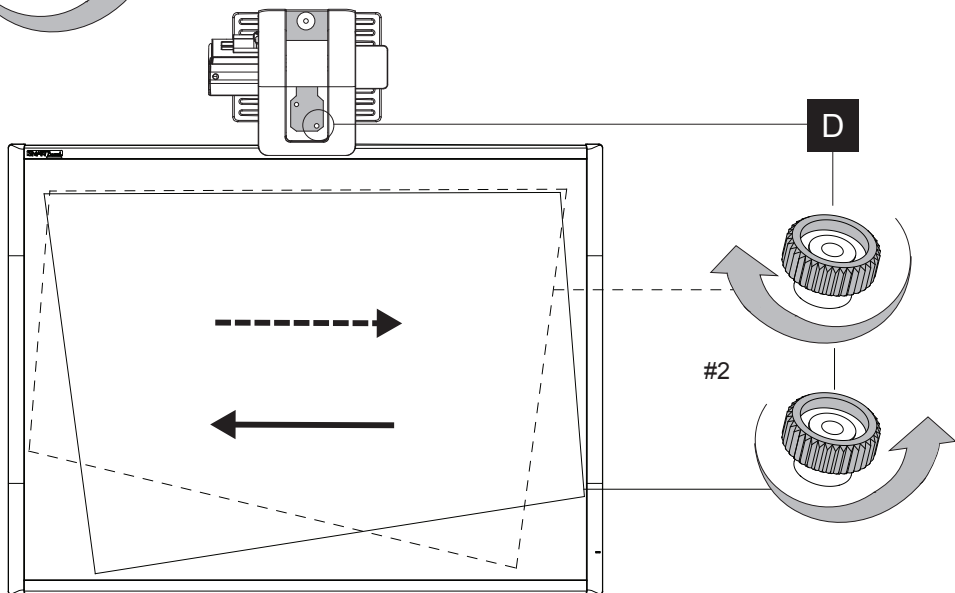
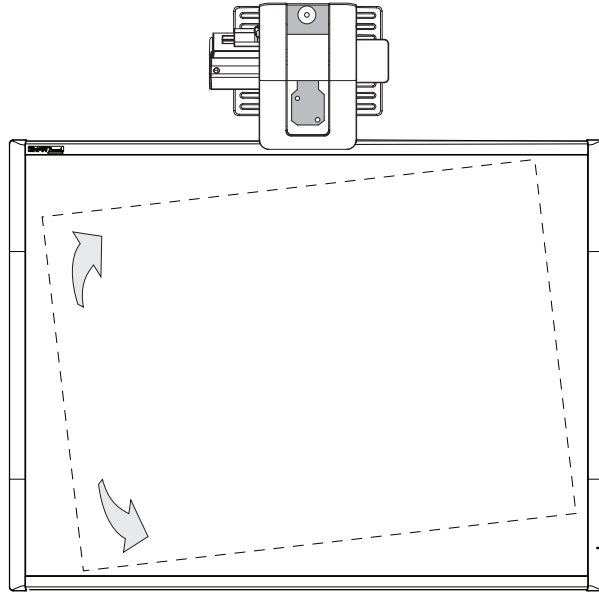
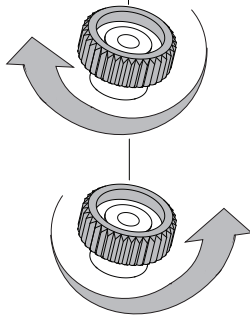
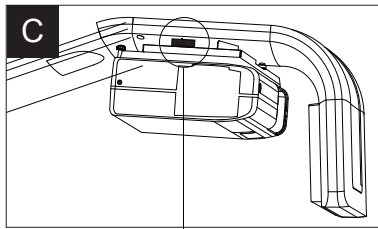
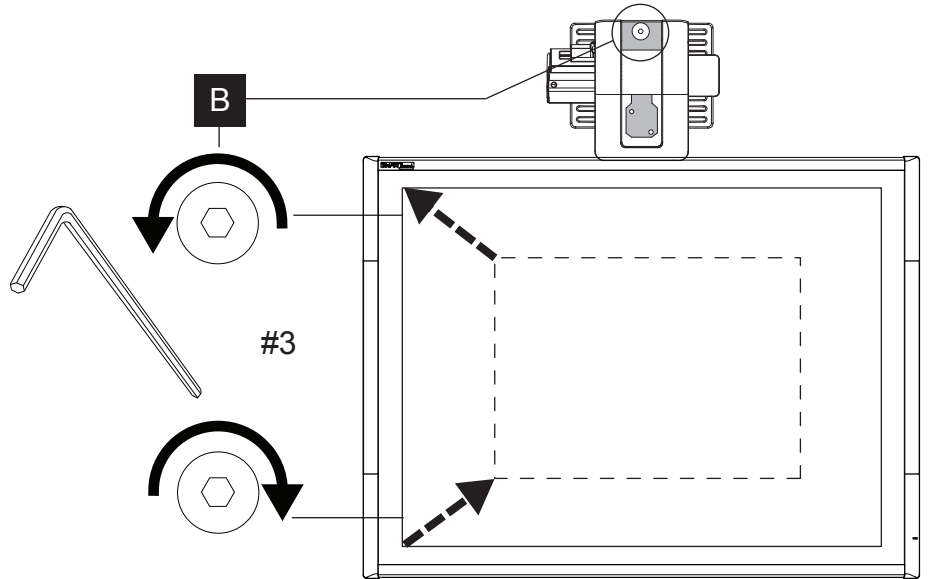
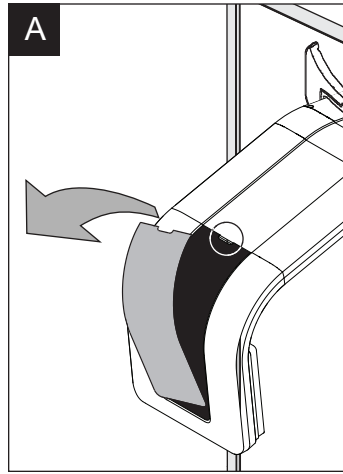


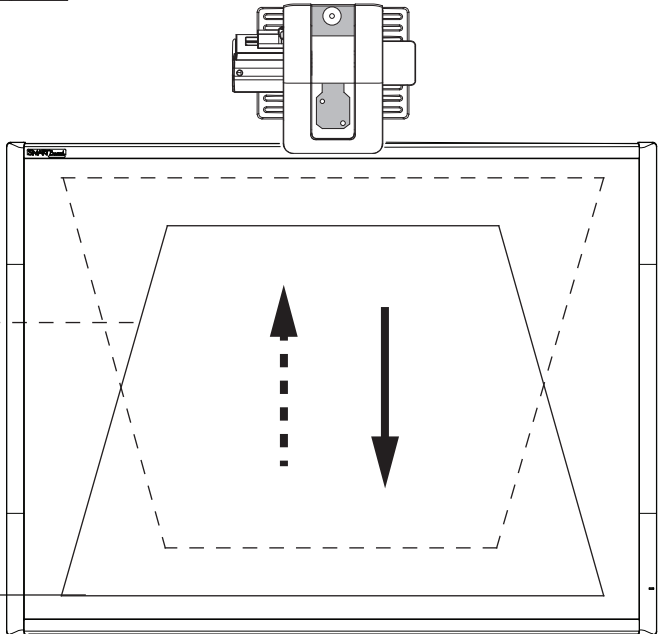
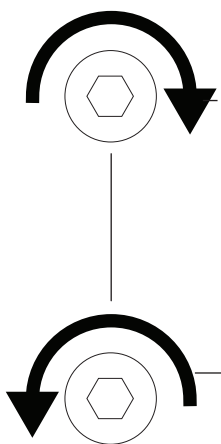
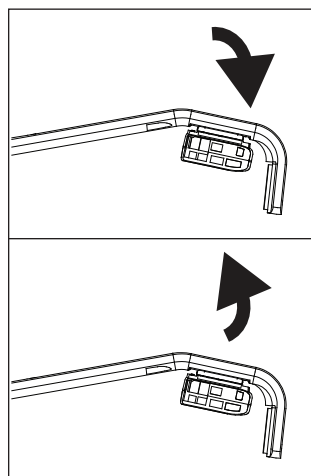
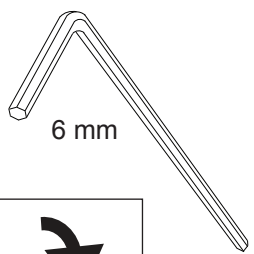
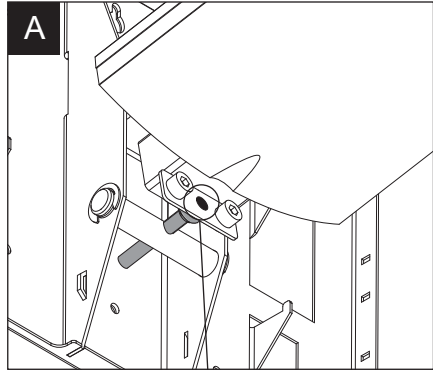
18



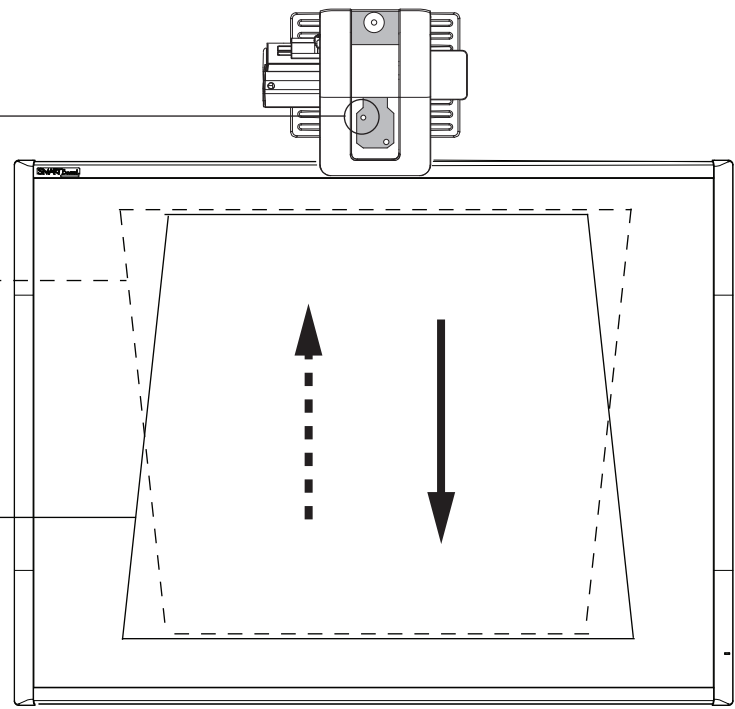
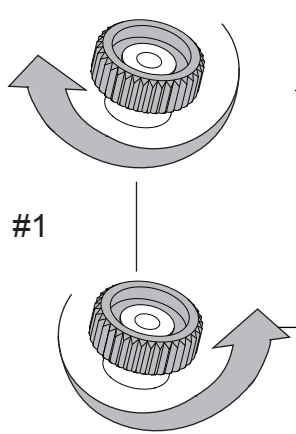
19



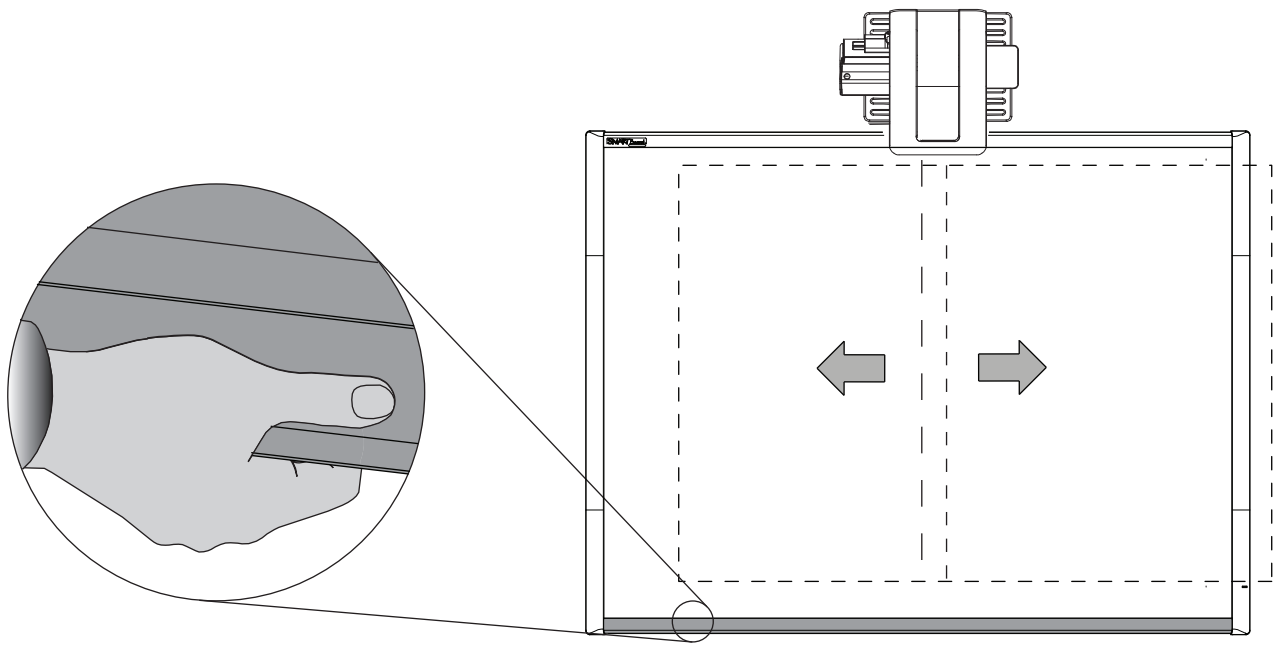




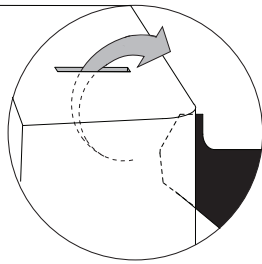
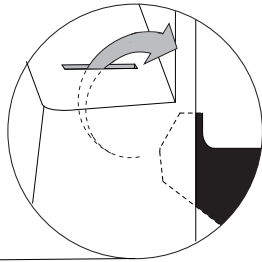
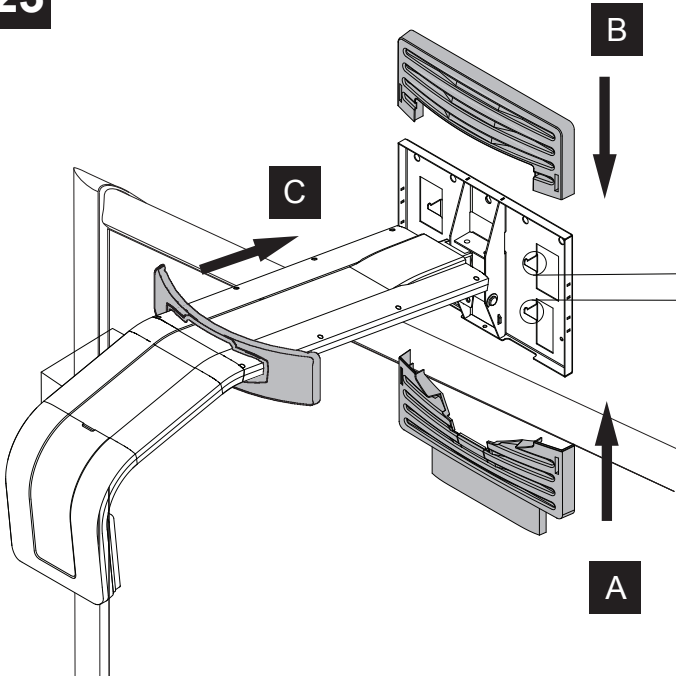
B



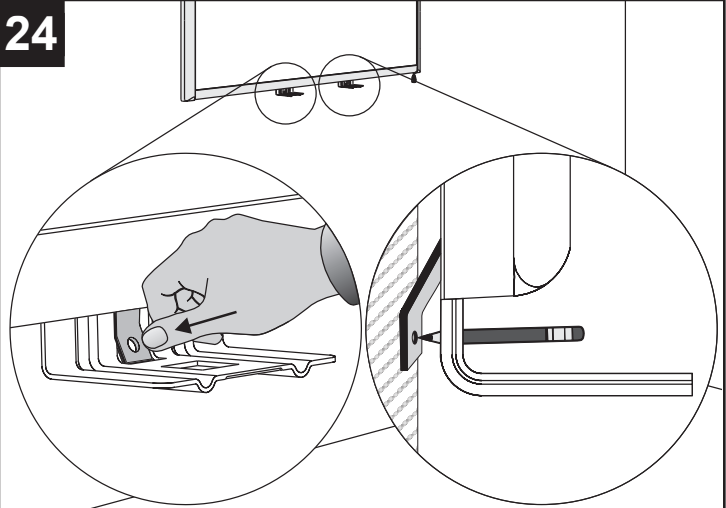
22



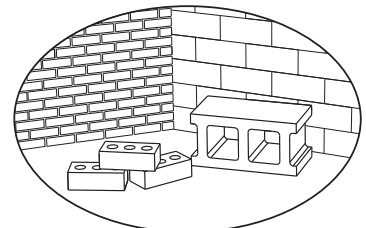
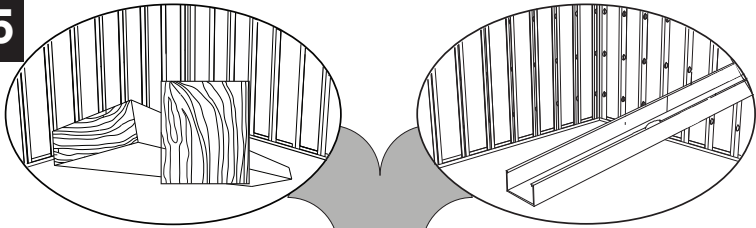
23



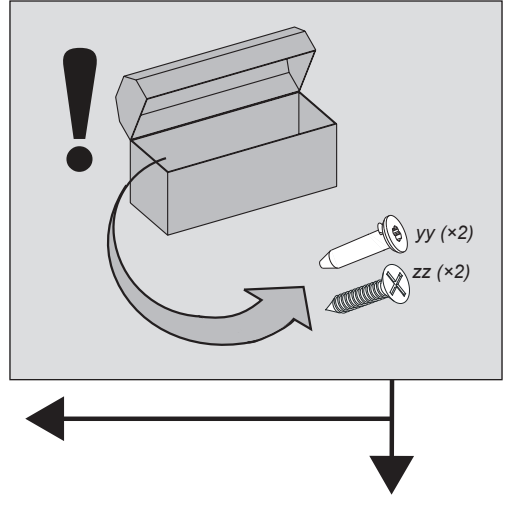
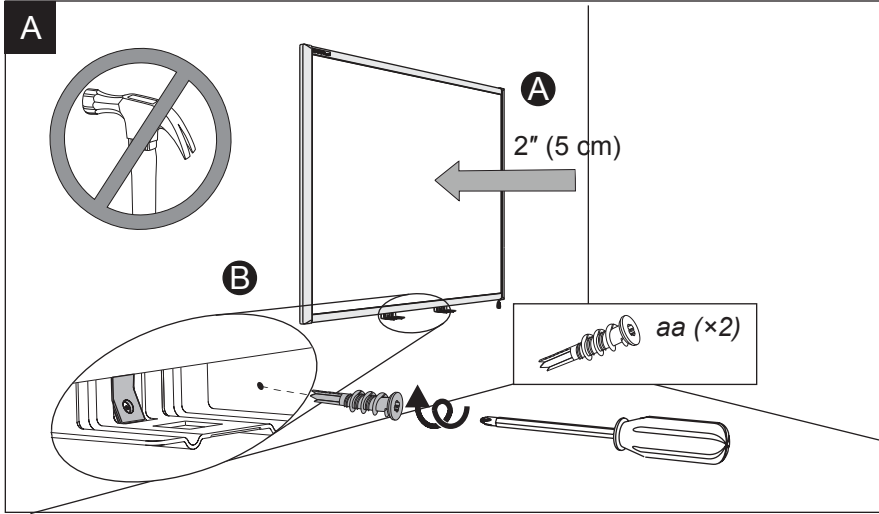
24



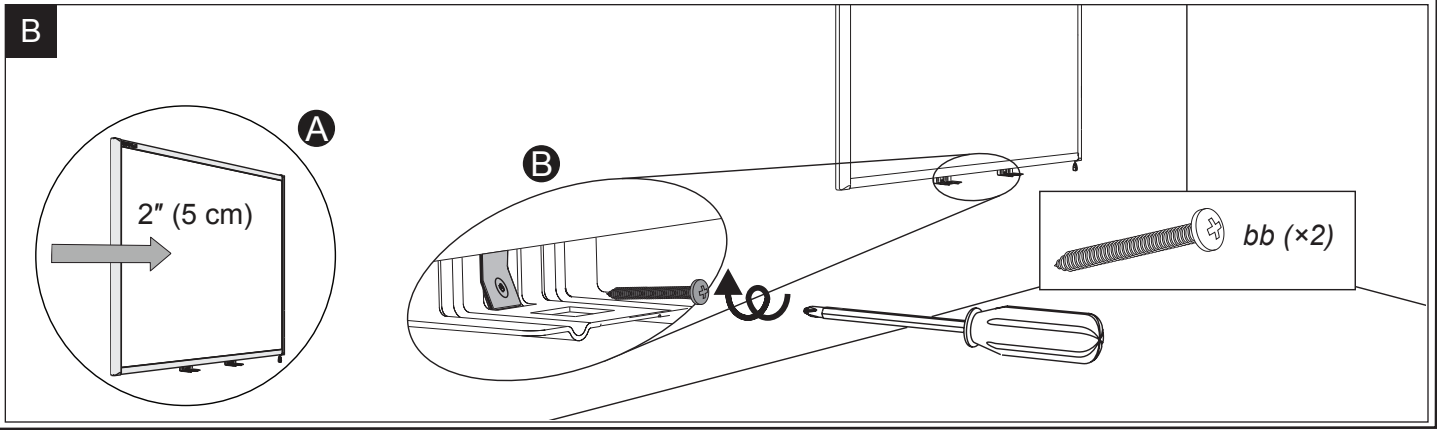
25



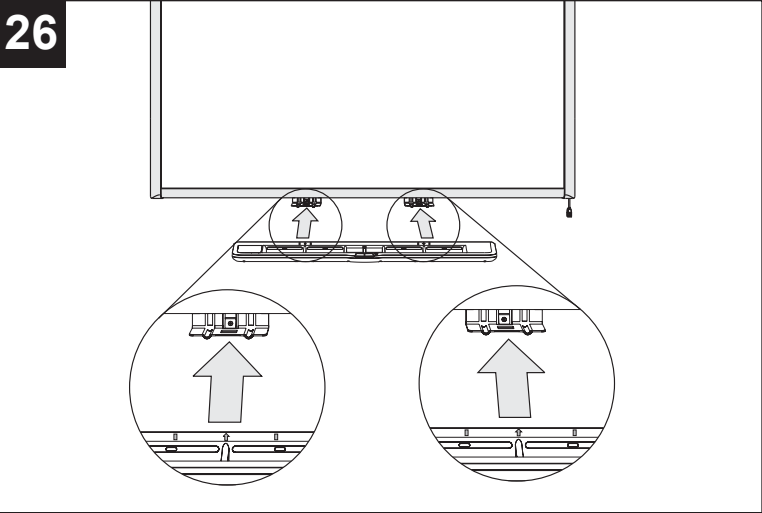
A



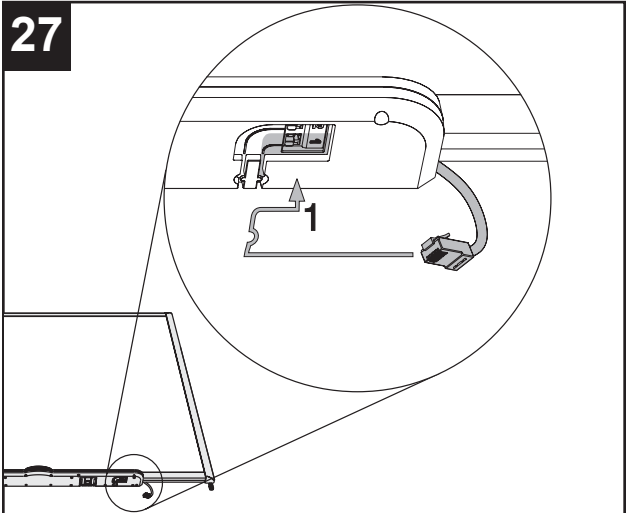
B

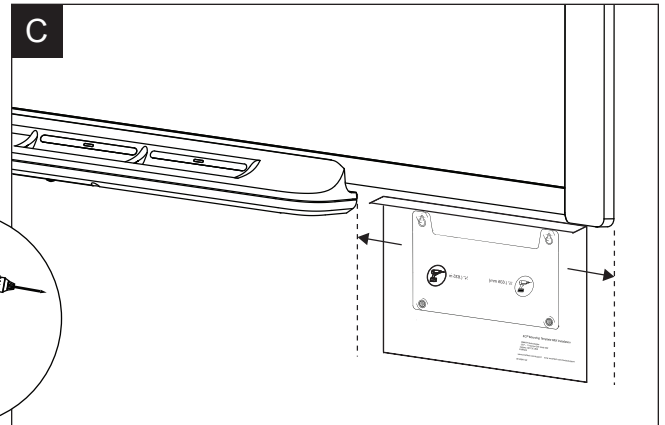
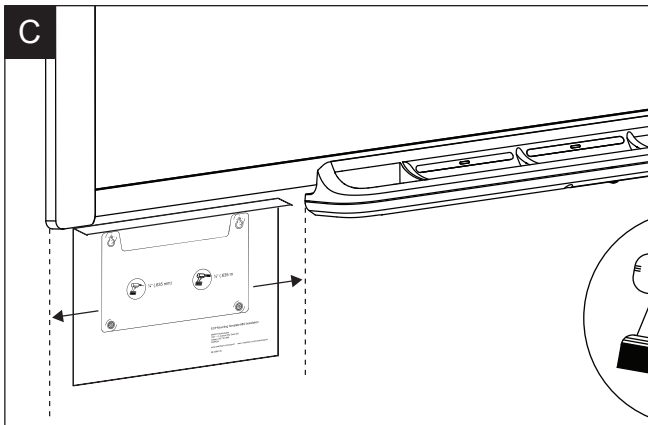
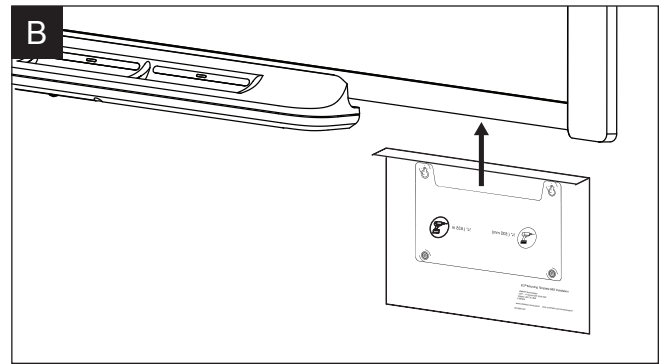
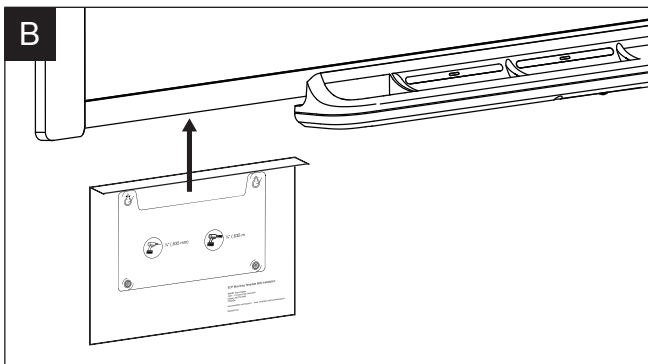
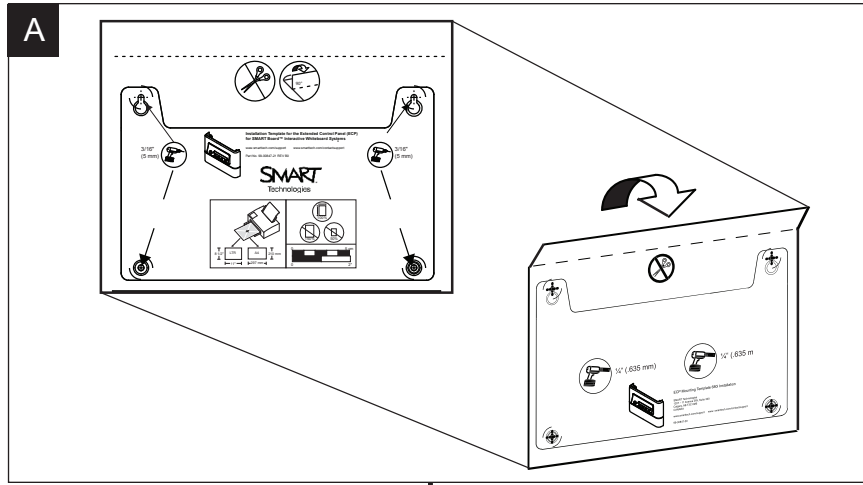


26

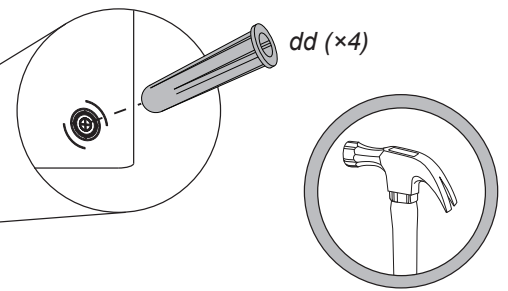
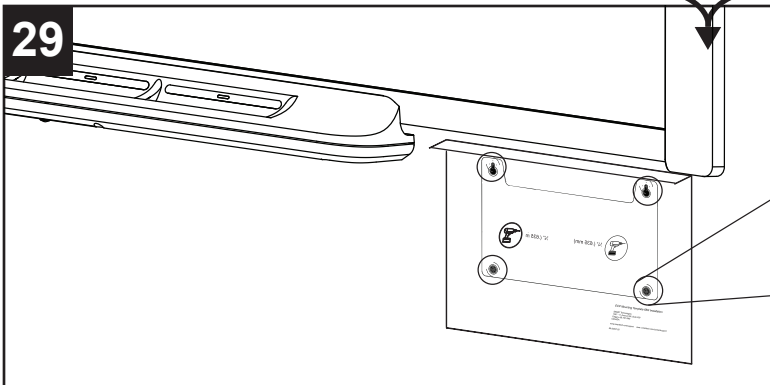


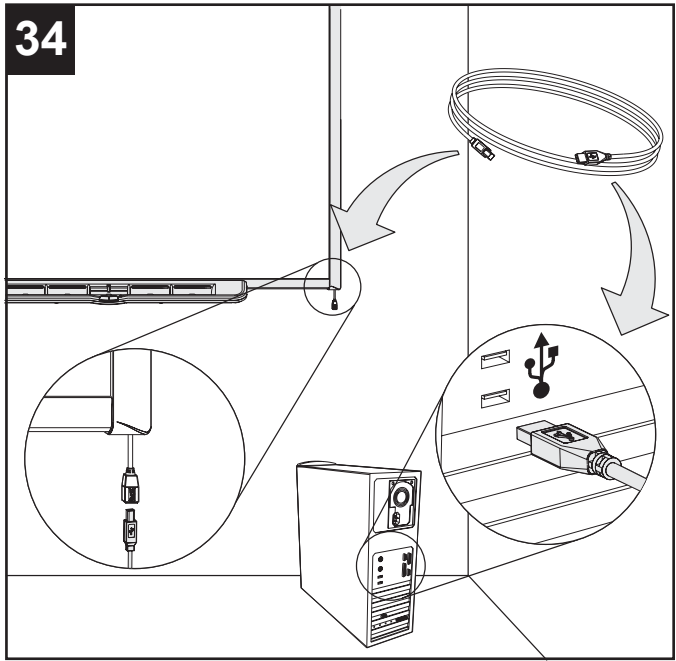
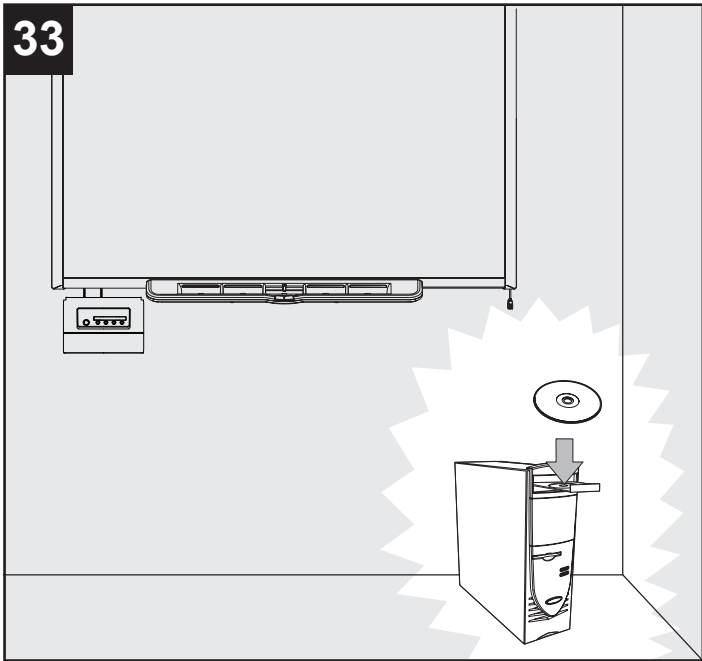
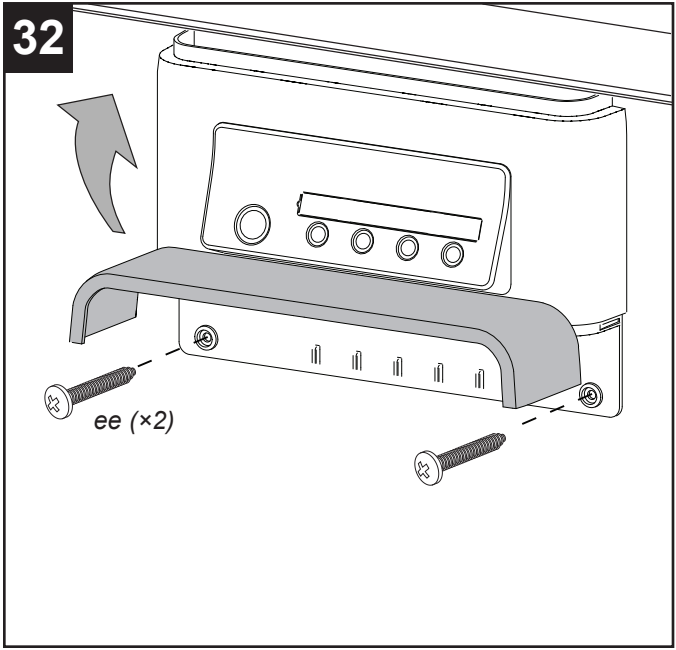
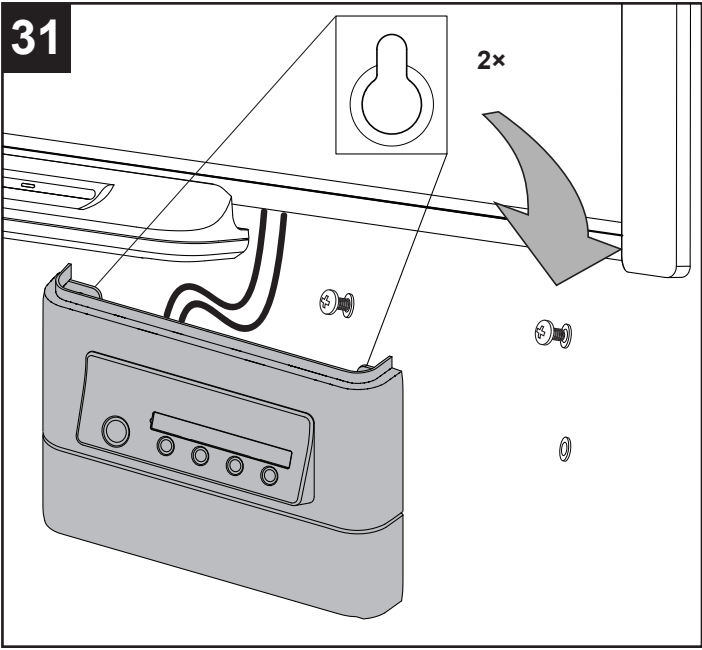
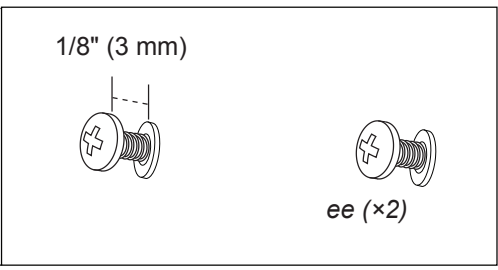
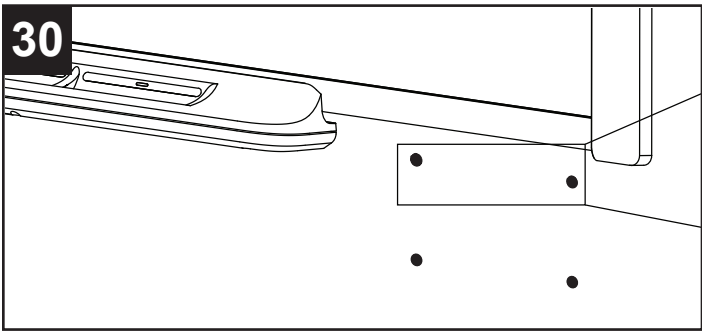
27

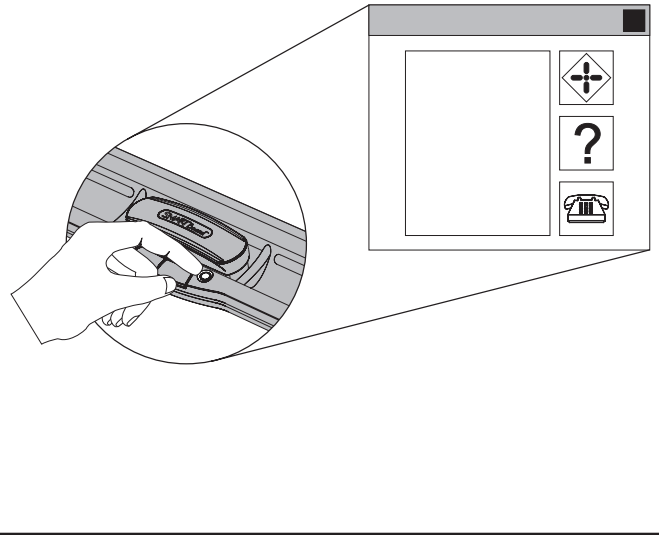




D 3/16" (4.8 mm)







Waste Electrical and Electronic Equipment Regulations

This section contains information about the Waste Electrical and Electronic Equipment Regulations (WEEE) that apply to all electrical and electronic equipment within the European Union.

When you dispose of any electrical or electronic equipment, including SMART products, we strongly encourage you to contact your local WEEE recycling agency for recycling and disposal advice.

Your SMART product required the extraction and use of natural resources for its production. It may contain hazardous substances.

By disposing of electrical and electronic equipment appropriately, you lower the impact of these substances upon health and the environment and reduce the pressure on natural resources. Recycling agencies can reuse or recycle most of the materials from your product.

Please think about how you intend to dispose of any product that has a WEEE symbol or accompanying WEEE guidelines.

If you need more information on the collection, reuse and recycling of electrical and electronic equipment, please contact your local WEEE recycling agency. Alternatively, contact your local reseller or SMART Technologies for information on the environmental performance of our products.

www.smarttech.com/support www.smarttech.com/contactsupport
Support +1.403.228.5940 or Toll Free 1.866.518.6791 (U.S./Canada)

© 2009 SMART Technologies ULC. All rights reserved. SMART Board, Unifi, the SMART logo and smarttech are trademarks or registered trademarks of SMART Technologies ULC in the U.S. and/or other countries. All other third-party product and company names may be trademarks of their respective owners. Patent No. US5448263; US6141000; US6326954; US6337681; US6540366; US6741267; US6747636; US7151533; US7184030; US7289113 and CA2058219. Other patents pending. Contents are subject to change without notice. 01/2009.

SMARTTM

99-00839-21 REV B0