

Specifications

E70 IFP Specifications Sheet

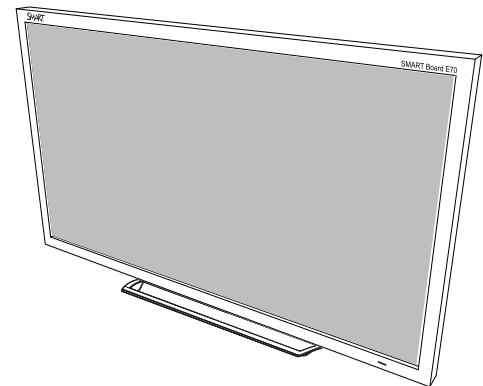
Model SPNL-4070

Overview

Designed specifically for classrooms, the SMART Board E70 interactive flat panel combines a premium touch experience with the power of SMART Notebook™ collaborative learning software on a 70" display.

The high-definition, shadow-free 70" (177.8 cm) LED display features low-friction coated glass that enables fingers to glide smoothly over the surface, facilitating a natural touch experience. The SMART Board E70 also virtually eliminates glare and provides an optimal view from any angle in the classroom, delivering an unparalleled viewing and writing experience to offer the best value for classrooms. The multi-touch SMART Board E70 features freestyle multi-user interaction anywhere on the display with Windows 7 or 8, enabling students to collaborate without limitations.

See smarttech.com for more information on this product.

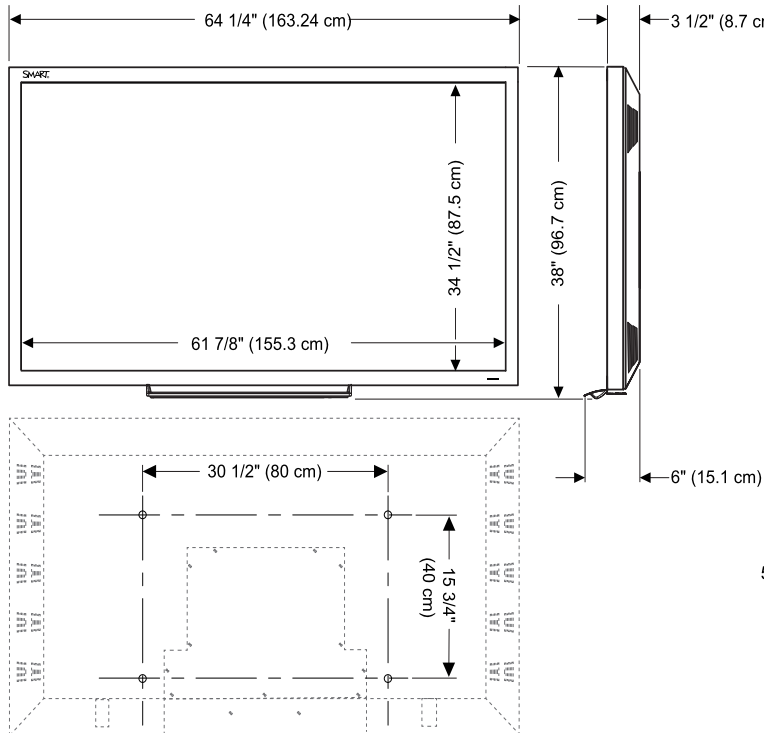


SPECIFICATIONS

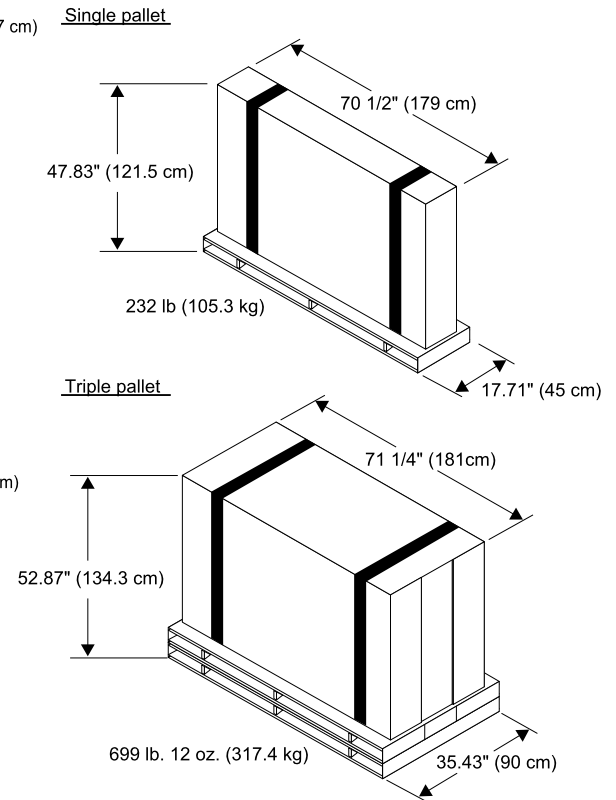
E70 IFP Specifications Sheet – Model SPNL-4070

Dimensions and weights¹

Dimensions



Shipping



Weight

169 lb 13 oz. (77 kg)

General specifications

Touch technology

Infrared

Multi touch capabilities

Eight touch on computers with Windows 7 or Windows 8 operating systems.

Gestures

Supports gestures on Windows 7, Windows 8, Mac OS X 10.7 or Mac OS X 10.8 operating systems software.

Pixel pitch

0.807 mm

Horizontal frequency

30–91 kHz

Vertical frequency

50–85 Hz

Contrast ratio (typical)

4000:1

Optimum resolution

1920 X 1080p at 60Hz (16:9)

Audio

Two 10 watt speakers

¹All dimensions ± 1/8" (0.3 cm). All weights ± 2 lb. (0.9 kg).

Accessories

Pens and pen tray	Two ergonomic pens with comfort grip and a pen tray
Power cord	North America, Europe and UK
Remote control	One remote control
VGA cable	6' (1.8 m) D-sub 15 pin connector
USB cable (touch)	16' (5 m) USB A/B Type

Connections

HDMI	Three HDMI connections input
RGB D Sub (VGA)	D-sub 15 pin connections input
Component	Five RCA inputs (Y, Pb, Pr, L, R)
Composite	RCA analog audio and composite video inputs (red, white and yellow)
SPDIF	SPDIF optical output
USB-A	USB-A (media access)
USB-B	USB-B (touch)
PC audio	3.5 mm stereo input
AC power	IEC 60320-C14 Socket

Computer requirements

SMART E70	A computer with either a Windows 7, Windows 8, Mac OS X 10.7 or Mac OS X 10.8 operating system software and SMART Notebook™ collaborative learning software 11.3 or above installed. For a complete list of computer requirements, see the SMART Notebook software release notes available at smarttech.com/downloads .
-----------	--

Operating and storage requirements

Power supply	100VAC ~ 240VAC, 50 / 60Hz
Power consumption	280 W max
Stand-by Power	<0.5W
Operating temperature	50°F ~ 104°F (10°C ~ 40°C)
Operating humidity	10% ~ 80%, non-condensing
Storage temperature	-13°F ~ 140°F (-25°C ~ 60°C)
Storage humidity	5% ~ 95%, non-condensing

SPECIFICATIONS

E70 IFP Specifications Sheet – Model SPNL-4070

Certification and compliance

Regulatory certification UL/c-UL (U.S. and Canada), FCC, IC and CE

Environmental compliance

European Union REACH, RoHS, WEEE, Battery, Packaging and ErP Standby

U.S. Packaging and Conflict Minerals

Warranty

SMART E70 Two-year limited equipment warranty. A three-year warranty extension is also available. Contact your authorized SMART reseller for more information.

Purchasing information

Order numbers

SPNL-4070 SMART Board E70 interactive flat panel. Includes a SMART Notebook software installation DVD.

Optional accessories See smarttech.com/accessories

smarttech.com/support
smarttech.com/contactsupport

© 2013 - 2014 SMART Technologies ULC. All rights reserved. SMART Board, smarttech, the SMART logo and all SMART taglines are trademarks or registered trademarks of SMART Technologies ULC in the U.S. and/or other countries. All third-party product and company names may be trademarks of their respective owners. This product and/or use thereof covered by one or more of the following U.S. patents. www.smarttech.com/patents. Contents are subject to change without notice. 01/2014.