

SMART Board™ interactive display frame

Specifications – Model PX452 for Sony® 52" GXD-L52H1 LCD

Physical Specifications

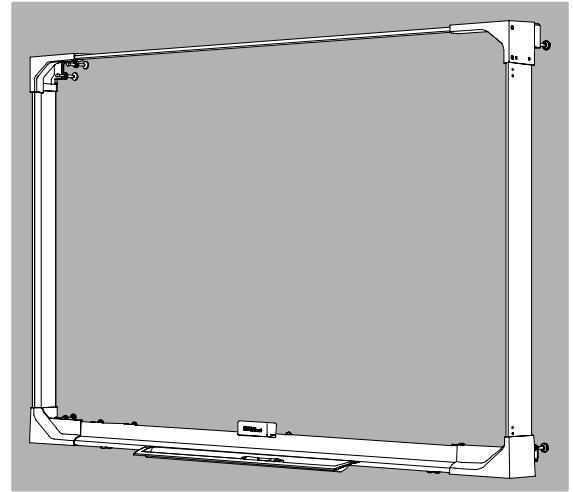
Maximum Size 52" W × 33 3/4" H × 6 5/8" D
(interactive display after
installation on the
flat panel) (132.2 cm × 85.6 cm × 16.8 cm)

Minimum Size 50" W × 31" H × 6 5/8" D
(interactive display after
installation on the
flat panel) (127 cm × 78.6 cm × 16.8 cm)

System Weight 10 lb. (4.5 kg)
(with controller box)

Shipping Size 57 1/2" W × 9 5/8" H × 8 1/4" D
(146 cm × 24.4 cm × 21 cm)

Shipping Weight 20 lb. (9.1 kg)



All dimensions +/- 1/8" (0.3 cm). All weights +/- 2 lb. (0.9 kg).

NOTE: The interactive display frame does not include a flat panel display.

CAUTION: You should only use the SMART Board™ interactive display frame with a supported LCD panel. Please see our list of currently supported displays at www.smarttech.com/supportedpanels. Using an unsupported panel may result in damage to the panel.

Standard Features

Digitizing Technology DViT™ (Digital Vision Touch) technology uses digital cameras to track objects interacting with the display surface.

Installation The SMART Board interactive display frame consists of four corner blocks and four frame sections that attach to your flat panel, transforming it into an interactive screen. Install the interactive display frame after you install your flat panel on a wall or floor stand.

Direct Screen Touch Contact between a finger and the flat panel is interpreted as a mouse click, enabling you to perform normal computer operations. Direct contact with the screen ensures there is no added parallax or image distortion.

Digital Pencil The pencil communicates with the interactive display frame. Contact between the tip of the pencil and the flat panel produces digital ink on the screen, and contact between the opposite end of the pencil and the flat panel erases digital ink. You don't have to return the pencil to the pencil ledge between writing and erasing. The pencil requires a AAA battery (included). Replacement pencil nibs are included.

CAUTION: SMART recommends that you only write on your interactive display frame with the digital pencil. Other objects may scratch or damage the panel's display surface. Replace the pencil nib when it wears down, as you might scratch or damage the panel's display surface.

Pencil Ledge The ledge provides convenient access to the digital pencil.

Controller Box The controller box connects to two digital cameras located in the bottom corner blocks. It processes data from these cameras and sends data to a connected computer, SMART Hub SE240 or SMART Hub PE260.

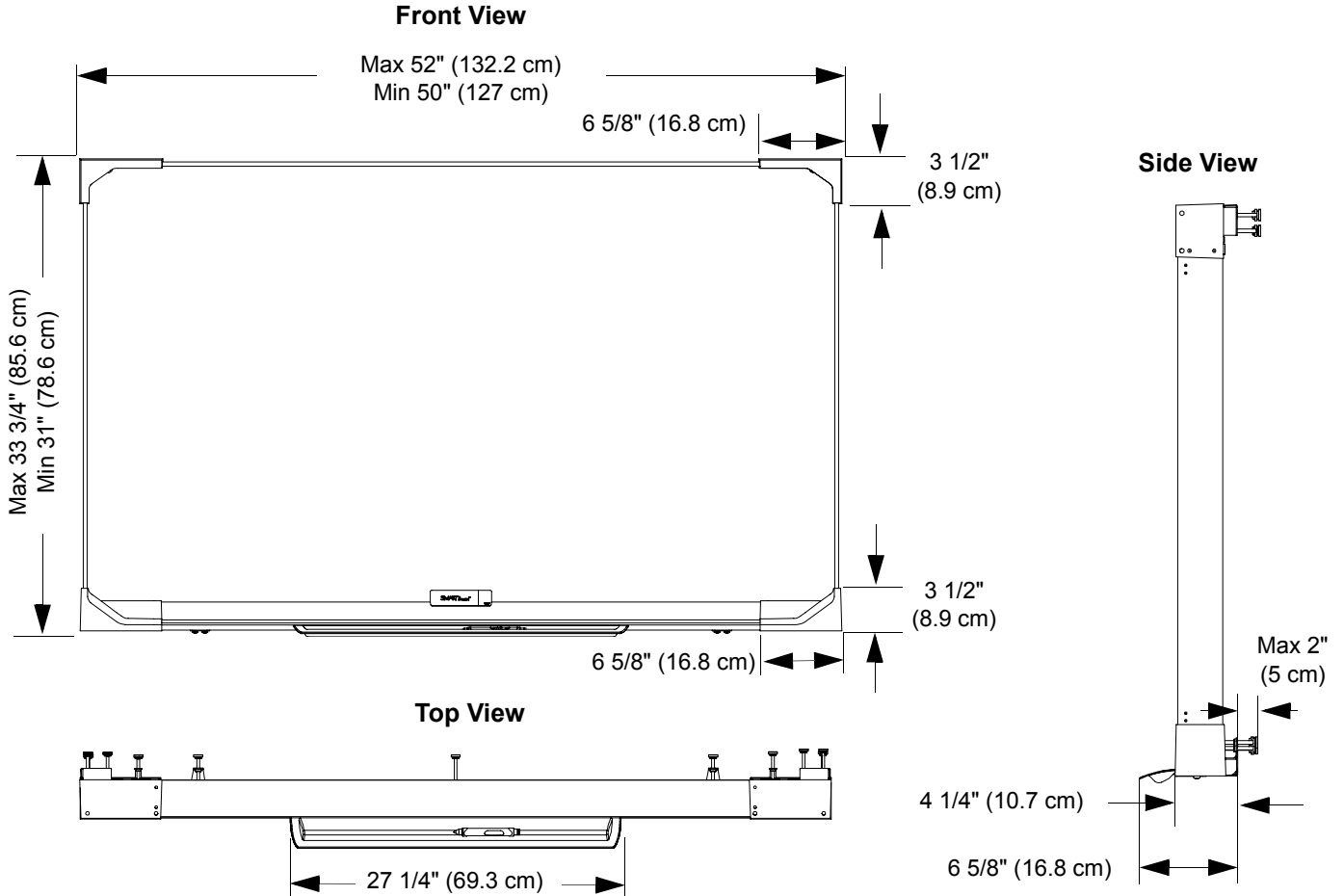
Specifications – Model PX452 for Sony 52" GXD-L52H1 LCD

Connections	One 16' 6" (5 m) USB 2.0 cable connects the controller box to the computer's USB 2.0 receptacle. Two 10' (3 m) DisplayPort cables connect the cameras to the controller box.
Power Requirements	Power supply 100V–240V AC, 50 Hz–60 Hz; Output 5V DC, 2.6A; 6' (1.8 m) power cable
Certifications and Compliance	CSA (U.S./Canada), CB, CE, FCC, RoHS (China), RoHS (Europe), WEEE
Warranty	Two-year, limited equipment warranty. See warranty documents for details.
Software	SMART Notebook software included. See the SMART Notebook software specifications for a complete list of system requirements. Software upgrades are available at www2.smarttech.com/st/en-US/Support/SBS/ .

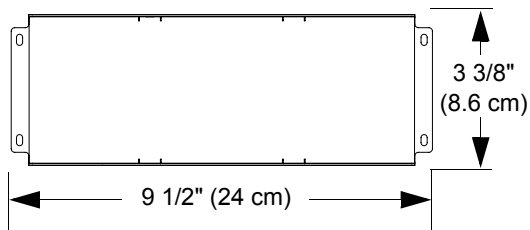
SMART Order Number

PX452	SMART Board interactive display frame for Sony 52" GXD-L52H1 LCD
--------------	--

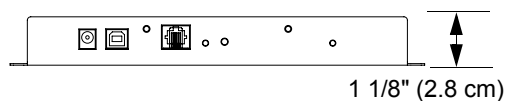
Dimensions



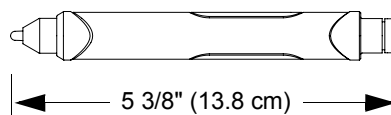
Controller Box Top View



Controller Box Side View



Pencil Side View



NOTE: The SMART Board interactive display frame adds 7/8" (2.2 cm) to the width, 2" (5.2 cm) to the height and 3 7/8" (9.8 cm) to the depth of your flat panel.