

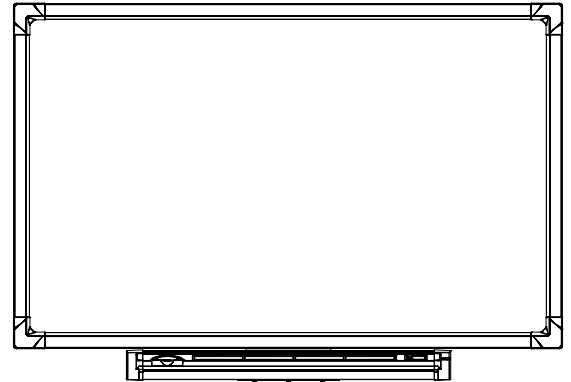
# SMART Board™ for Flat-Panel Displays Interactive Whiteboard

## Specifications – Model PX350 for Select 50" Flat-Panel Displays

**NOTE:** For a complete list of supported flat-panel displays, visit [www.smarttech.com/products/overlay/specs.asp](http://www.smarttech.com/products/overlay/specs.asp).

### Physical Specifications

<b>Interactive Whiteboard</b>	54 1/4" W × 35 1/4" H × 2 3/8" D (137.8 cm × 89.5 cm × 6.0 cm)
<b>Mounting Bracket</b>	50" W × 6 1/2" H × 3 3/4" to 6" D (127.0 cm × 16.5 cm × 9.5 cm to 15.2 cm)
<b>Pen Tray</b>	3 5/8" (9.2 cm) added to the interactive whiteboard's height  2" (5.1 cm) added to the interactive whiteboard's depth
<b>Weight</b>	60 lb. (27.2 kg)
<b>Shipping Size</b>	
1 unit	59" W × 49" H × 14" D (149.9 cm × 124.5 cm × 35.6 cm)
3 units on pallet	60" W × 54" H × 43" D (152.4 cm × 137.2 cm × 109.2 cm)
<b>Shipping Weight</b>	
1 unit	101 lb. (45.9 kg)
3 units on pallet	325 lb. (147.7 kg)



All dimensions +/- 1/8" (0.3 cm). All weights +/- 2 lb. (0.9 kg).

### Standard Features

#### Software

SMART Notebook software included. See the [SMART Notebook software specifications](#) for a complete list of system requirements. Software upgrades are available at [www2.smarttech.com/st/en-US/Support/SBS/](http://www2.smarttech.com/st/en-US/Support/SBS/).

#### Pen Tray

Optical sensors in the pen tray detect when a pen or eraser is lifted from the tray. LED indicators show the active tool. Includes four pen tray pens (black, blue, red and green) and an eraser. The pen tray connects to the interactive whiteboard with a modular cable, and connects to a computer with a 21' 6" (6.5 m) USB/serial adapter cable. The USB/serial adapter cable has a DB9F connector at one end and a USB connector at the other. An optional serial cable is available.

**NOTE:** To order the interactive whiteboard without the pen tray, add "NP" to the end of the model number. The pen tray is then replaced by an electronic controller that fastens behind the overlay.

#### Display Control Strip

The display control strip allows you to initiate sleep mode, select the input source, toggle the display mode and access the panel control menu. This feature is only available for the Windows® operating system.

#### Mounting Brackets

The mounting bracket has an adjustable depth feature to accommodate most 50" flat-panel displays installed in landscape orientation.

#### Front Surface Material

Hard-coated, anti-glare polyester designed for optimal light transmission. Chemical and scratch resistant.

#### Digitizing Technology

DViT™ (Digital Vision Touch) technology uses digital cameras to track an object interacting with the display surface.

#### Flat-Panel Display Connection

Serial cable included for flat-panel display control—10' (3.1 m), DB9F-to-DB9F (not available for some models)

#### Power Requirements

Switching power supply, 100V–250V AC, 47 Hz–63 Hz, 12V DC 4.2A, 6' (1.8 m) power cord

#### Power Consumption

Power consumption is up to 40 W.

## Specifications – Model PX350 for Select 50" Flat-Panel Displays

<b>Certifications and Compliance</b>	CE, WEEE, RoHS (Europe), RoHS (China)
<b>Warranty</b>	Two-year limited equipment warranty
<b>Installation Notes</b>	You can install the interactive whiteboard on a flat-panel display that is securely mounted to a wall or floor stand. However, because of stability and mechanical fit issues, table stands are never to be used. You cannot attach speakers directly to the sides of a flat-panel display when an interactive whiteboard is installed.

---

### Storage and Operating Specifications

<b>Storage</b>	-40°F to 95°F (-40°C to 35°C)
<b>Operation</b>	41°F to 95°F (5°C to 35°C) with up to 80% humidity non-condensing

---

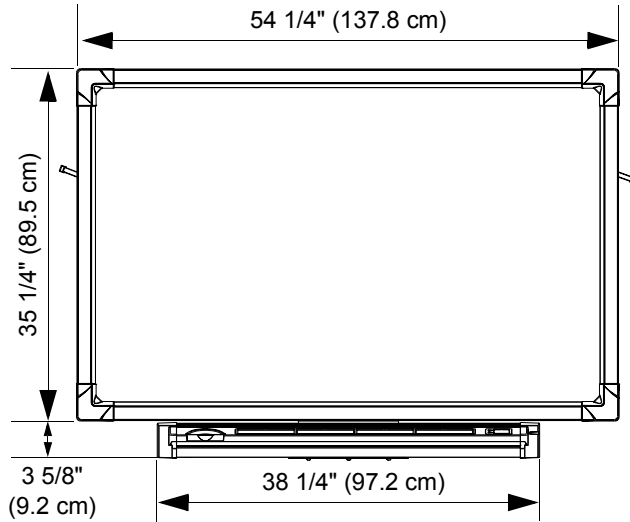
### SMART Order Number

<b>PX350</b>	Interactive whiteboard for select 50" flat-panel displays
<b>PX350NP</b>	Overlay without pen tray for select 50" flat-panel displays
<b>93-00360</b>	Optional 20' (6.1 m) straight-through DB9F-to-DB9F serial cable for systems that don't support USB connections. Must be ordered separately.

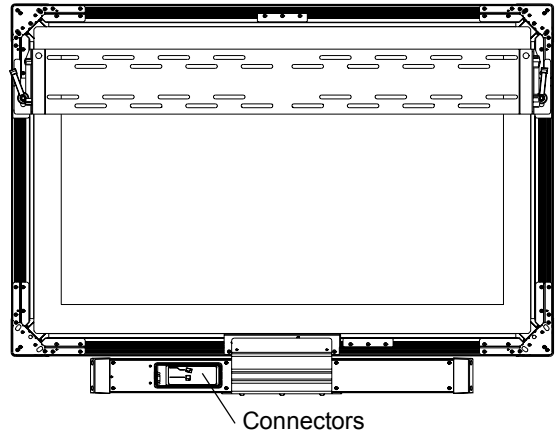
# Specifications – Model PX350 for Select 50" Flat-Panel Displays

All dimensions +/- 1/8" (0.3 cm)

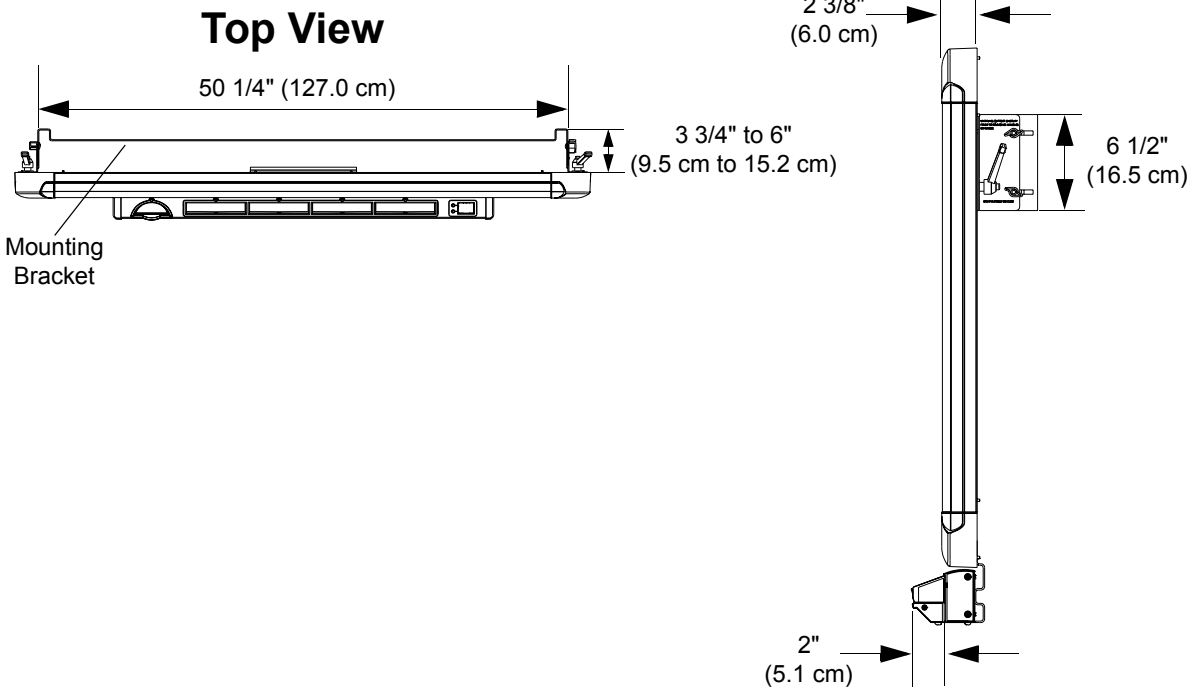
## Front View



## Back View



## Side View



[www.smarttech.com/support](http://www.smarttech.com/support) [www.smarttech.com/contactsupport](http://www.smarttech.com/contactsupport)  
Support +1.403.228.5940 or Toll Free 1.866.518.6791 (U.S./Canada)

© 2008 SMART Technologies ULC. All rights reserved. The SMART logo, SMART Board and smarttech are trademarks or registered trademarks of SMART Technologies ULC in the U.S. and/or other countries. All other third-party product and company names may be trademarks of their respective owners. Patent No. US5448263; US6141000; US6320597; US6326954; US6337681; US6741267; US6747636; US6803906; US6919880; US6947032; US6954197; US6972401; US7151533; US7184030; US7236162; CA2058219; CA2453873; EP1297488; ES2279823; ZL0181236.0; and DE60124549. Other patents pending. Contents are subject to change without notice. 08/2008

**SMART**  
Technologies