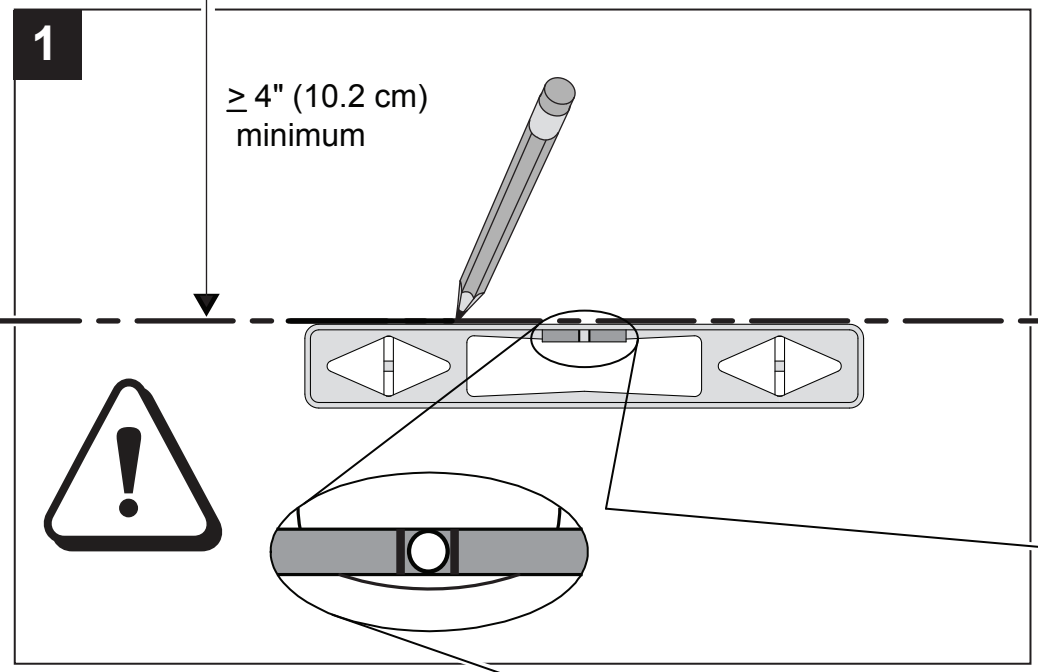


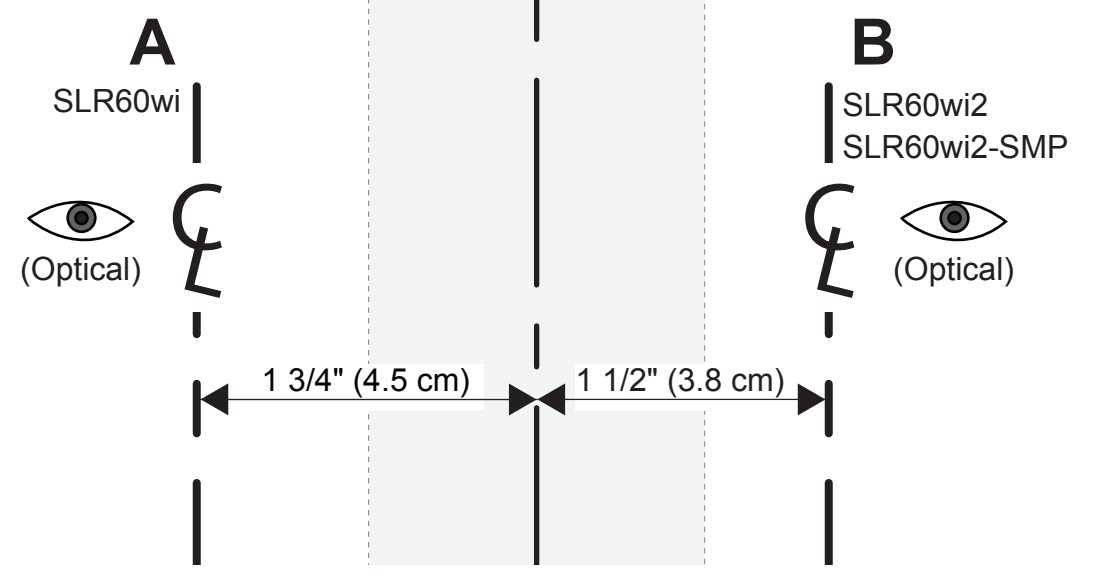
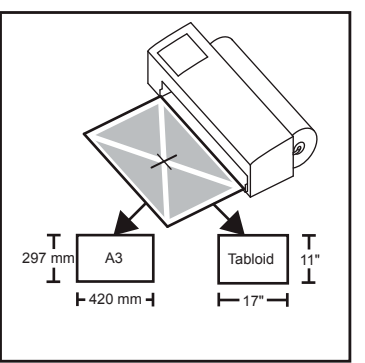
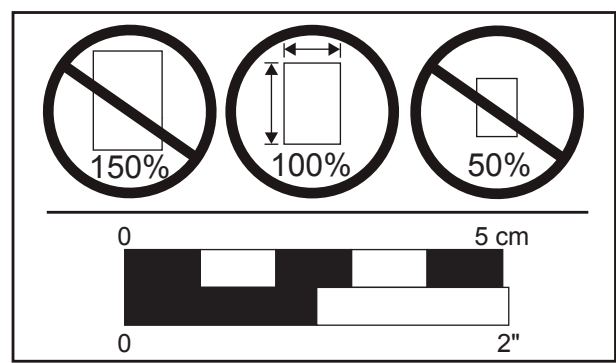
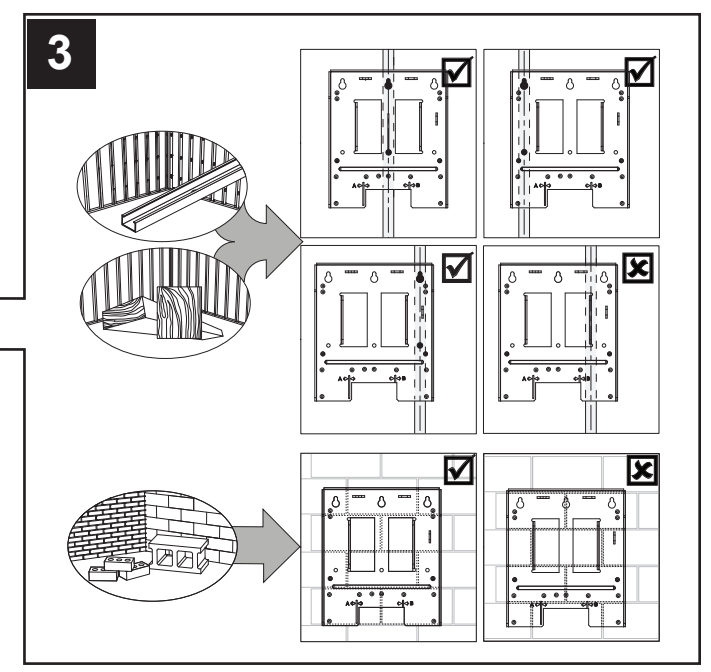
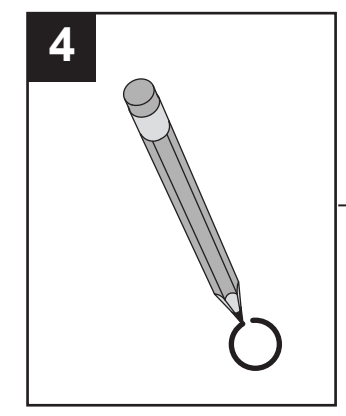
ceiling



2

smarttech.com/kb/170259

smarttech.com/kb/160505



LightRaise™
interactive projector
installation template

1018490 Rev 06

This product and/or use thereof covered by one or more of the following U.S. patents.
www.smarttech.com/patents

smarttech.com/support
smarttech.com/contactsupport **SMART**