

# LightRaise™

## interactive projectors

### User's guide

*For models SLR60wi, SLR60wi2 and SLR60wi2-SMP*

Scan the following QR code to read this guide on your smart phone or other mobile device or go to:

[onlinehelp.smarttech.com/english/mobile/projectors/60wi/index.htm](http://onlinehelp.smarttech.com/english/mobile/projectors/60wi/index.htm)



**SMART**®

# Product registration

If you register your SMART product, we'll notify you of new features and software upgrades.

Register online at [smarttech.com/registration](http://smarttech.com/registration).

Keep the following information available in case you need to contact SMART Support.

Serial number:

---

Date of purchase:

---

#### **FCC warning**

This equipment has been tested and found to comply with the limits for a Class A digital device, pursuant to Part 15 of the FCC Rules. These limits are designed to provide reasonable protection against harmful interference when the equipment is operated in a commercial environment. This equipment generates, uses and can radiate radio frequency energy and, if not installed and used in accordance with the manufacturer's instructions, may cause harmful interference to radio communications. Operation of this equipment in a residential area is likely to cause harmful interference in which case the user will be required to correct the interference at his own expense.

#### **FDA statement**

Complies with FDA performance standards for laser products except for deviations pursuant to Laser Notice No. 50, dated June 24, 2007.

#### **Trademark notice**

LightRaise, SMART Notebook, SMART Meeting Pro, SMART Ink, SMART Board, SMART GoWire, smarttech, the SMART logo and all SMART taglines are trademarks or registered trademarks of SMART Technologies ULC in the U.S. and/or other countries. Texas Instruments, BrilliantColor and DLP are trademarks of Texas Instruments. Blu-ray is a trademark of the Blu-ray Disc Association. HDMI is a trademark or registered trademark of HDMI Licensing LLC. DisplayLink is a trademark or registered trademark of DisplayLink Corp. in the United States and/or other countries. All other third-party product and company names may be trademarks of their respective owners.

#### **Copyright notice**

© 2013 SMART Technologies ULC. All rights reserved. No part of this publication may be reproduced, transmitted, transcribed, stored in a retrieval system or translated into any language in any form by any means without the prior written consent of SMART Technologies ULC. Information in this manual is subject to change without notice and does not represent a commitment on the part of SMART.

This product and/or use thereof covered by one or more of the following U.S. patents.

[www.smarttech.com/patents](http://www.smarttech.com/patents)

10/2013

# Important information

Read the following warnings carefully. Failure to read the warnings below or to follow the installation instructions included with your SMART product could result in personal injury and damage to the product and may void your warranty.

## WARNING

- To reduce the risk of fire or electric shock, do not expose the SMART product to rain or moisture.
- Two people are required to mount your SMART product because it may be too heavy for one person to safely maneuver.
- Use the appropriate hardware for your wall type as referred to in the SMART accessory kit (part number 1013576). Failure to do so could result in injury if the unit detaches from the wall.
- Ensure that any cables extending across the floor to your SMART product are properly bundled and marked to avoid a trip hazard.
- Ensure that all cabling on the wall is properly secured.
- Do not stare directly into the projector's beam of light.
- Do not puncture, crush, heat or disassemble the pen battery, expose it to fire or any liquid, short its terminals, or abuse the battery in any other way as this may cause the battery to explode or ignite, and could cause a fire or personal injury.
- Use of controls or adjustments or performance of procedures other than those specified herein may result in hazardous radiation exposure.
- Keep the interactive pen and pen holder out of reach of small children as there are small parts that may pose a potential choking hazard.

## Touch detection module (TDM)

### WARNING

- Do not disassemble the touch detection module. It has been designed to safely protect the end-user in normal operation and installations.
- The touch detection module is a Class 1 laser product. To avoid eye damage from laser radiation, do not turn on the system before installing the touch detection module. When installation is complete, you are unable to access the lasers and you can safely turn the system on.
- In accordance with IEC60825-1: 2007 international regulations, do not view the red laser beam directly with optical instruments such as a magnifying lens.
- The following comprise the diode specifications for the laser diodes, designed safely within the touch detection module:
  - Red laser: 650 nm (Typ.), 0.35 mW (Max., CW)
  - IR laser: 808 nm (Typ.), 350 mW (Max., CW)

# Contents

<b>Important information</b> .....	<b>i</b>
Touch detection module (TDM) .....	ii
<b>Chapter 1: About your projector</b> .....	<b>1</b>
Features .....	2
Optional accessories .....	6
<b>Chapter 2: Installing your projector</b> .....	<b>7</b>
Choosing a surface .....	7
Choosing a location .....	11
Choosing a height .....	12
Routing the cables .....	14
Projector connections .....	16
Installing DisplayLink drivers for the XCP .....	19
Installing SMART Notebook software .....	20
Installing SMART Meeting Pro software .....	20
Aligning the projector .....	20
<b>Chapter 3: Using your projector</b> .....	<b>23</b>
How your projector works .....	23
Interacting with your computer .....	24
Using the remote control .....	24
Focusing the image .....	25
Adjusting the image .....	26
Using your interactive pen .....	26
<b>Chapter 4: Using the XCP</b> .....	<b>31</b>
Connecting the XCP to the projector .....	32
Connecting the XCP adapters to the XCP .....	35
XCP input connections .....	36
Using the XCP projector controls .....	37
Using the SMART GoWire cable with the XCP .....	38
<b>Chapter 5: Using the SMART GoWire cable</b> .....	<b>39</b>
Connecting the SMART GoWire cable to the projector .....	39
Connecting the SMART GoWire cable to the XCP .....	40
<b>Chapter 6: Maintaining your projector</b> .....	<b>45</b>
Replacing the remote control battery .....	45

## CONTENTS

Replacing the CAT battery .....	47
Cleaning the projector and accessories .....	47
Replacing the projector lamp module .....	48
Resetting the lamp hours .....	56
<b>Chapter 7: Troubleshooting your projector .....</b>	<b>59</b>
Determining projector status .....	60
Determining touch status .....	61
Determining interactive pen status .....	62
Determining curtain alignment tool (CAT) status .....	63
Determining XCP status .....	63
Troubleshooting your SMART product with the Connection Wizard .....	64
Troubleshooting interactive pen issues .....	65
Troubleshooting finger touch issues .....	65
Touch accuracy and alignment issues .....	67
Troubleshooting image issues .....	67
Troubleshooting projector errors .....	69
Troubleshooting audio issues .....	71
Troubleshooting XCP issues .....	72
Locating the serial number .....	73
Accessing the service menu .....	73
<b>Appendix A: Remotely managing your projector .....</b>	<b>75</b>
Accessing web page management .....	75
Home .....	76
Control panel .....	76
Network settings .....	77
E-mail alerts .....	79
Password settings .....	79
Simple Network Management Protocol (SNMP) .....	80
<b>Appendix B: Connecting your room control system to your projector .....</b>	<b>81</b>
Serial interface settings .....	81
Command inventory .....	83
Value-based command methods .....	84
Power state controls .....	85
Source selection controls .....	86
General source controls .....	87
Additional VGA source controls .....	88
Audio controls .....	89
Network controls .....	90
System controls .....	91
<b>Appendix C: Adjusting the interactive projector settings .....</b>	<b>97</b>
Adjusting SLR60wi interactive projector settings .....	97

## CONTENTS

Adjusting SLR60wi2 interactive projector settings .....	107
<b>Appendix D: Integrating other devices .....</b>	<b>119</b>
Native video format .....	119
Video format compatibility .....	120
HD and SD signal format compatibility .....	122
Connecting peripheral sources and outputs .....	124
<b>Appendix E: Hardware environmental compliance .....</b>	<b>125</b>
Waste Electrical and Electronic Equipment and Battery regulations (WEEE and Battery Directives) .....	125
Batteries .....	125
Mercury .....	125
More information .....	125
<b>Index .....</b>	<b>127</b>





# Chapter 1

## About your projector

Features .....	2
Interactive projector .....	2
Projector boom .....	3
Touch Detection Module (TDM) .....	3
Curtain Alignment Tool (CAT) .....	3
Interactive touch and pen features .....	4
Pen holder .....	4
USB charger .....	4
Remote control .....	5
LightRaise projector control (XCP) .....	5
Optional accessories .....	6
Wall-mounting kit .....	6
XCP adapters .....	6



---

The LightRaise™ interactive projectors are wall-mounted, short-throw projectors that transform any wall or dry-erase whiteboard into an interactive surface. The LightRaise interactive projectors provide touch and pen-enabled input, enabling two users to simultaneously write, draw and manipulate content in SMART Notebook™ collaborative learning software or SMART Meeting Pro™ software using a finger or the interactive pens.

This chapter describes the features and components of your projector.

## Features

### Interactive projector

LightRaise 60wi (SLR60wi)	LightRaise 60wi2 (SLR60wi2)
A wall-mounted projection engine that uses DLP® technology by Texas Instruments™, providing BrilliantColor™ performance and quality Gamma 2.2 correction with Bright Classroom, Dark Classroom, sRGB White, Wall Color, User and SMART Presentation modes.	A wall-mounted projection engine that uses DLP technology by Texas Instruments, providing BrilliantColor performance and quality Gamma 2.2 correction with Bright Room, Dark Room, sRGB, User and SMART Presentation modes.
Finger and pen touch interaction that enables you to tap, swipe, gesture or draw with two fingers or the interactive pens.	Finger touch and pen interaction that enables you to tap, swipe, gesture or draw with four fingers or the interactive pens.
Dual touch interaction that enables two people to draw and manipulate content on the surface at the same time. The interactive surface can be touched simultaneously by two fingers, by two pens or by one finger and one pen.	Four-touch interaction that enables two people to draw, gesture and manipulate content on the surface at the same time. The interactive surface can be touched simultaneously by a combination of fingers and pens.
HD ready, wide screen, 2500 lumens, maximum resolution supported 1080p	HD ready, 3000 lumens, maximum resolution supported 1080p
NTSC, NTSC 4.43, PAL, PAL-N, PAL-M and SECAM video system compatibility	HDTV (720p and 1080p) video system compatibility and HD Ready (HDMI technology and 720p) available, NTSC, NTSC 4:43, PAL, PAL-N, PAL-M and SECAM (480i/p and 576i/p)
WXGA 1280 × 800 native resolution	WXGA 1280 x 800 native resolution
16:10 native aspect ratio with support for 4:3 and 16:9 ratios with scaling	16:10 with support for 16:9, 4:3 and 5:4 with scaling
3400:1 contrast ratio	2900:1 contrast ratio
100" (254.0 cm) diagonal maximum interactive area size on a blank, vertical wall	100" (254.0 cm) diagonal maximum interactive area size on a blank, vertical wall
0.36:1 throw-ratio	0.35:1 throw-ratio
Two built-in 10W speakers	Built-in 9 W speaker
 <b>NOTE</b> For further details about projector features, see the <i>LightRaise 60wi interactive projector specifications</i> ( <a href="http://smarttech.com/kb/170335">smarttech.com/kb/170335</a> ).	 <b>NOTE</b> For further details about projector features, see the <i>LightRaise 60wi2 interactive projector specifications</i> ( <a href="http://smarttech.com/kb/170603">smarttech.com/kb/170603</a> ).

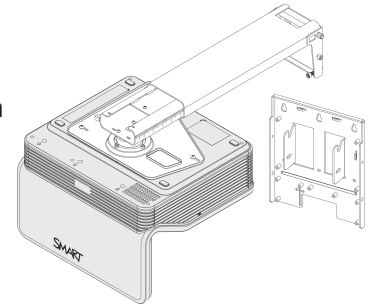
## CHAPTER 1

About your interactive projector

### Projector boom

The projector is mounted to the wall by attaching the ball-joint to the boom and the boom to the wall-mount plate. You can adjust the length of the boom for different image sizes. It also includes the following features:

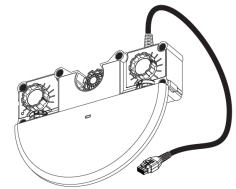
- Image sizes from 67" to 100" diagonal (16:10)
- Image keystone, tilt and position
- Image vibration dampening (typically induced from doors closing)
- A padlock ring to prevent removal of the projector from the boom.
- Templates and instructions for positioning the system safely.



See the *LightRaise interactive projectors installation guide* ([smarttech.com/kb/170259](http://smarttech.com/kb/170259)) for more information on installing and positioning the projector boom.

### Touch Detection Module (TDM)

The TDM mounts on the wall by attaching to the wall plate and enables your system to differentiate between finger touch and pen touch. When it's installed and aligned, you can write with a pen and move objects with a finger at the same time on the interactive surface.

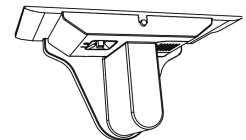


The TDM provides a range of adjustments to accommodate varying projection surface thicknesses. It also includes a conveniently placed multi-colored status light that provides system status information feedback (see *Determining touch status* on page 61).

See the *LightRaise installation guide* ([smarttech.com/kb/170259](http://smarttech.com/kb/170259)) for more information on installing and aligning the TDM.

### Curtain Alignment Tool (CAT)

The CAT is included with your projector purchase and enables you to align the system during installation.



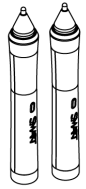
See the *LightRaise interactive projector installation guide* ([smarttech.com/kb/170259](http://smarttech.com/kb/170259)) for more information on using the CAT to align the system.

## CHAPTER 1

About your interactive projector

### Interactive touch and pen features

A computer vision-based SMART touch detection system tracks finger touch using an infrared source, as well as interactive and synchronized infrared pen, on any reasonably flat surface. This enables you to write or draw digital ink with the interactive pens or with your fingers. Because the projector is touch aware, you can even use one pen to draw while simultaneously using your finger to manipulate content.



The SLR60wi model supports dual touch, which enables two people to draw, gesture and manipulate content on the surface at the same time. The interactive surface can be touched simultaneously by two fingers, by two pens or by one finger and one pen.

The SLR60wi2 model supports four-touch interaction, which enables two people to draw and manipulate content on the surface at the same time. The interactive surface can be touched simultaneously by a combination of fingers and pens.

Features of the interactive pens include the following:

- Active tip switch
- Power switch
- Pen automatically turns off when not in use to prolong battery life
- One tri-colored status light: green (operational), amber (battery charging required), red (fault)
- SoftTouch texture for improved finger grip
- USB mini-B connection for battery charging

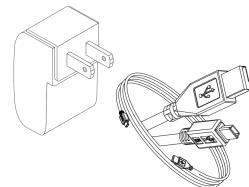
### Pen holder

Store the interactive pens in the pen holder when you're not using them and when you're charging them. The holder is also a convenient place to store the remote control.



### USB charger

Charge your interactive pen with the included USB charger (see *Charging the interactive pen* on page 28). A fully charged pen will operate for two days before requiring recharging.



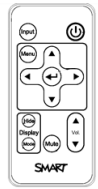
## CHAPTER 1

About your interactive projector

### Remote control

The projector remote control enables you to access on-screen projector menus, to change projector settings and to turn the projector on and off.

See *Using the remote control* on page 24 for more information.



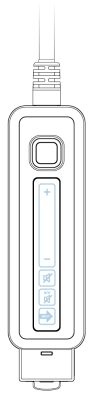
### LightRaise projector control (XCP)

#### NOTES

- The XCP is included with the SLR60wi2-SMP model only.
- Before you use the XCP with a USB cable, install the DisplayLink™ drivers on your computer from the CD included with the XCP. See *Installing DisplayLink drivers for the XCP* on page 19.

The XCP can be mounted on the wall beside the projected image, giving you a more convenient location to access input ports and basic operation controls of your interactive projector. You can connect a single USB cable to the SMART Connect port for an all-in-one audio, video and data connection to your computer using DisplayLink technology; alternatively, you can individually connect your video, audio and touch cables directly to the XCP.

See *Using the XCP* on page 31 for more information on the XCP functionality and cabling.



## CHAPTER 1

About your interactive projector

# Optional accessories

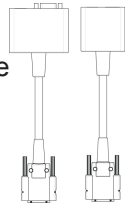
These accessories aren't included with your projector, but you can order them from your [authorized SMART reseller](#).

## Wall-mounting kit

You can purchase an optional wall-mounting kit that contains an assortment of screws and wall anchors for several different wall types.

## XCP adapters

You can connect a VGA or an HDMI™ cable to the XCP and your computer if you purchase the appropriate adapter.



Adapter	Function
VGA + USB adapter	Connects a VGA video source and has a separate USB connector for data and audio.
HDMI + USB adapter	Connects an HDMI video source and has a separate USB connector for data and audio.

To connect the XCP adapters to your computer, see *Connecting the XCP adapters to the XCP* on page 35.

To use the XCP adapters with a SMART GoWire™ auto-launch cable, see *Connecting the SMART GoWire cable to the XCP* on page 40.

## Chapter 2

# Installing your projector

Choosing a surface .....	7
Choosing a wall surface .....	7
Choosing a dry-erase board surface .....	8
Surface obstructions .....	11
Choosing a location .....	11
Choosing a height .....	12
Routing the cables .....	14
Projector connections .....	16
SLR60wi interactive projectors .....	17
SLR60wi2 interactive projectors .....	18
SLR60wi2-SMP interactive projectors .....	19
Installing DisplayLink drivers for the XCP .....	19
Installing SMART Notebook software .....	20
Installing SMART Meeting Pro software .....	20
Aligning the projector .....	20

---

See the printed installation guide and mounting template that came with your LightRaise interactive projector for information on installing your projector. You can access these documents by visiting the LightRaise support page at [smarttech.com/support](https://smarttech.com/support).

This chapter provides additional details to help you install your projector.

## Choosing a surface

Consider what your projection surface is when you're selecting a location for your projector. You can install it so the image falls on an existing dry-erase board or a flat wall surface. A dry-erase board is a flat surface that works well with your projector and allows you to write smoothly in digital ink.

## Choosing a wall surface

Consider the following factors when selecting a wall surface to project your image onto:

## CHAPTER 2

### Installing your projector

- Select a wall that is straight and flat. All of the lines that you draw to install the projector must be straight and level on a plumb wall.
- Select a white wall to maintain accurate color of the projected image.
- Project on a smooth, semi-gloss painted surface to reduce glare from the projector, to achieve optimal touch quality and to reduce wear on the pen nib.
- Attach a dry-erase board to the wall if you're projecting on a textured surface, such as a concrete block wall. A dry-erase board is a flat surface that works well with your projector and allows you to write smoothly in digital ink.

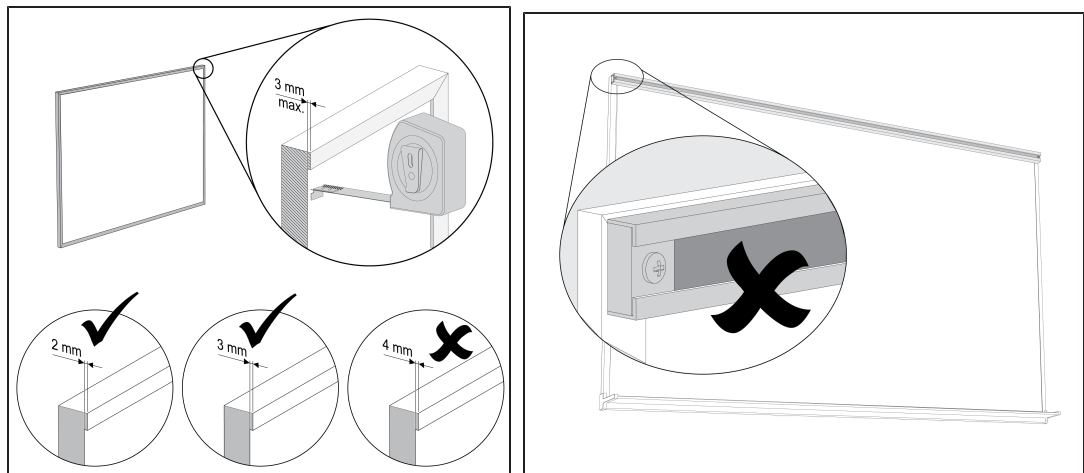
#### CAUTION

Writing on the wall with the interactive pen might cause scratches or damage the wall surface. Test the wall surface by writing on it with the pen before you install your projector.

### Choosing a dry-erase board surface

Consider the following factors when selecting a dry-erase board to project your image onto:

- Install the dry-erase board and the projector straight, level and plumb to the wall.
- Select a dry-erase board with no bezel or with a bezel thickness of less than 3 mm above the board surface. Bezels thicker than 3 mm above the board surface disrupt finger touch performance.



#### IMPORTANT

Do not install map rails on any surface you select to project your image on. You must also remove any existing map rails on the wall or dry-erase board before you use your projector.

- Select a dry-erase board that is flat. See the following procedure for more information.

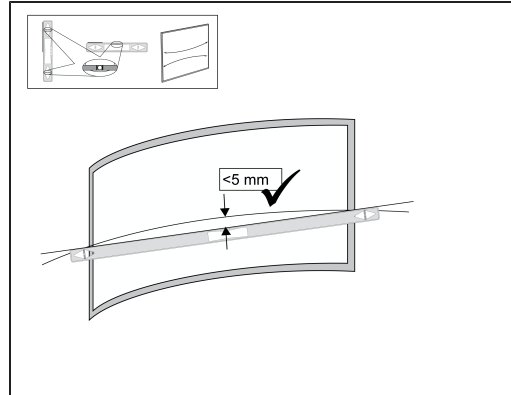
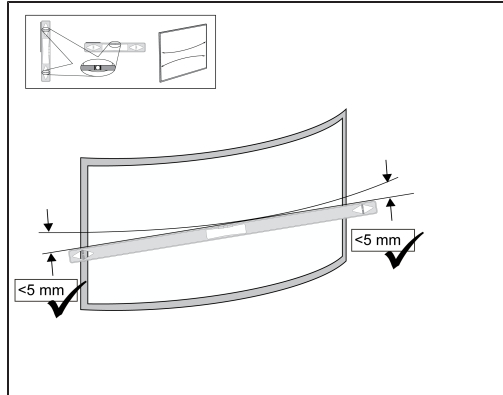


## CHAPTER 2

### Installing your projector

#### **To measure the flatness of a dry-erase board**

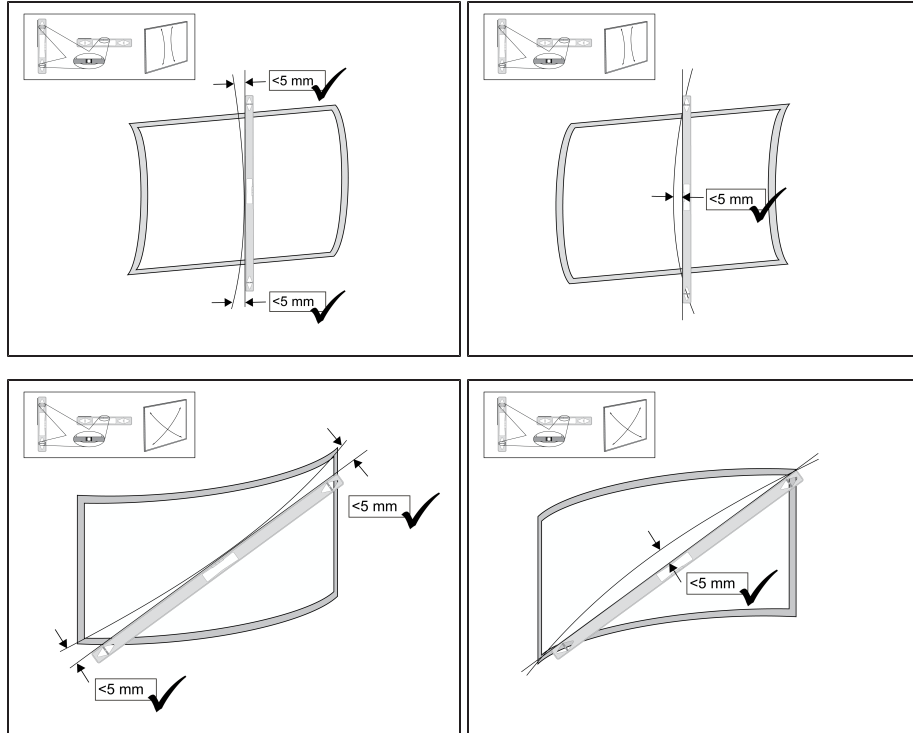
1. Place a six-foot carpenter's level horizontally across the dry-erase board.
2. Locate where the level is furthest away from the board surface, and then measure the distance. Measure the flatness of the surface on both sides of the dry-erase board.



## CHAPTER 2

### Installing your projector

- Repeat the above steps to measure the flatness of the board vertically and diagonally.



### IMPORTANT

The overall finger touch performance is strongly influenced by the projection surface flatness.

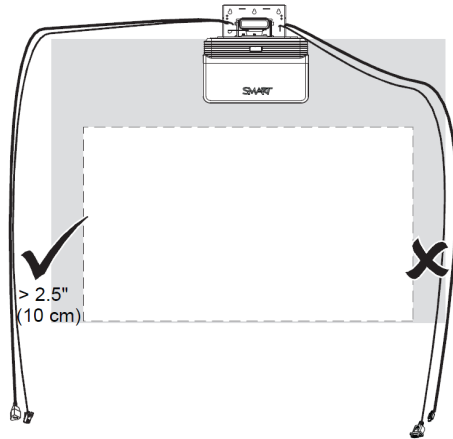
- If the distance is less than 5 mm in all directions, optimal finger touch performance will likely be achieved.
- If the distance is between 5 mm and 10 mm in any direction, good to adequate finger touch performance will likely be achieved.
- If the distance is between 10 mm and 15 mm in any direction, it is possible to achieve adequate finger touch performance. However, there could be issues completing the installation. A flatter board surface is recommended.
- If the distance is greater than 15 mm in any direction, select a flatter surface.

## CHAPTER 2

### Installing your projector

## Surface obstructions

There should be no objects that protrude into the keep out area between the bottom of the projector mount and the projected image. Objects in this area should be moved or removed before you use your interactive projector as they can cause parts of the projected image to lose finger touch function.



Examples of common obstructions to watch out for include:

- Cables or wires that hang into the projected image
- Screws or nails protruding from the wall or the dry-erase board
- Wall protrusions or uneven wall surfaces
- Map rails on the wall or the dry-erase board

### NOTE

See the *LightRaise interactive projector surface evaluation guide* ([smarttech.com/kb/170402](https://smarttech.com/kb/170402)) more information on how to choose a surface.

## Choosing a location

SMART includes a mounting template with your projector ([smarttech.com/kb/170271](https://smarttech.com/kb/170271)). Using this template ensures that you can do the following:

- Determine where to install the projector in relation to the studs in the wall and the size of the projection surface.
- Mount the projector at a safe height for head space clearance, while maintaining enough space for airflow and installation access above the unit.

## CHAPTER 2

### Installing your projector

Choose a location that's far from bright light sources, such as windows and strong overhead lighting. Bright light sources can cause distracting shadows on the projection surface and can reduce the contrast of the projected image.

Select an area with sufficient clearance to accommodate your projector. For best presentation alignment, mount your interactive projector in a location that's central to your audience's viewing direction.

## Choosing a height

The height of your projector depends on the size of the projected image and the available space for it. If you have a dry-erase board as the projection surface, the height of the projector depends on the width and height of the board. If the projection surface is a wall, the height of the projector depends on the width and height of available wall space. Consider the general height of your user community and ensure they'll be able to touch all areas of the projected surface. When determining the size of the projected image, ensure there is room to route the cables around the image and space to install the pen holder.

### To determine the height of the projector mounting bracket

1. Measure the width of the available surface space.



#### NOTE

- Ensure the available width of the projection surface is equal to or greater than the width in the chart on page 11 of the *LightRaise interactive projectors installation guide* ([smarttech.com/kb/170259](https://smarttech.com/kb/170259)).
- If you're using a dry-erase whiteboard as the projection surface, measure inside the frame.

2. Measure the height of the available surface space.



#### NOTE

- Ensure the available height of the projection surface is equal to or greater than the height in the chart on page 11 of the *LightRaise interactive projectors installation guide* ([smarttech.com/kb/170259](https://smarttech.com/kb/170259)).
- If you're using a dry-erase board as the projection surface, measure inside the frame.

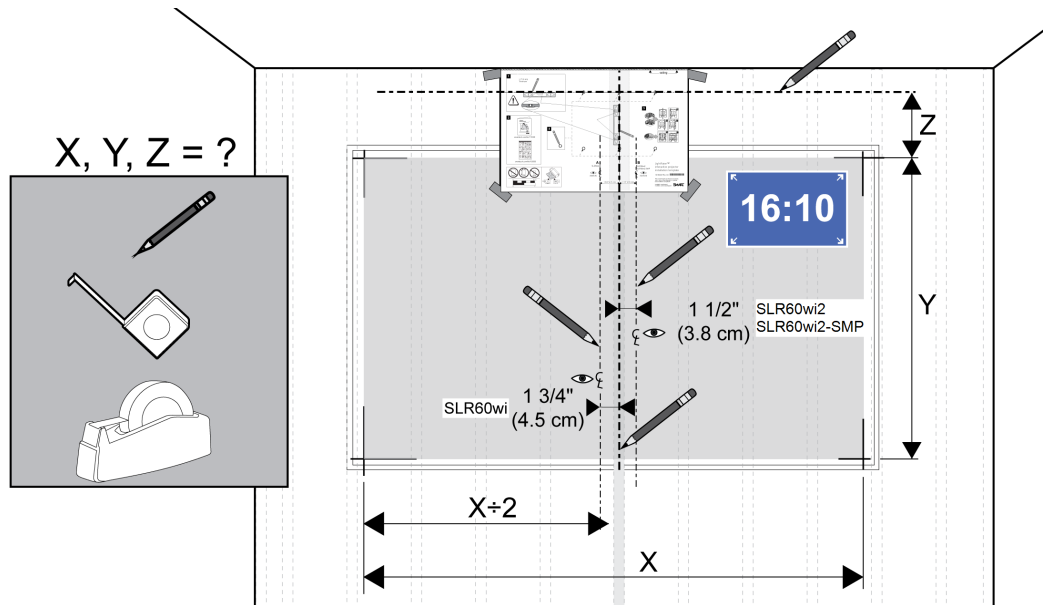
## CHAPTER 2

### Installing your projector

3. Compare your measurements to the chart which appears on page 11 of the *LightRaise interactive projectors installation guide* ([smarttech.com/kb/170259](http://smarttech.com/kb/170259)), and select a row in the table that is smaller than your available width and height. This determines the installation height of the projector mounting bracket from the top of the projected image.

#### IMPORTANT

You need at least 4" (10.2 cm) clearance space above the top mounting holes. See the *LightRaise interactive projectors installation guide* ([smarttech.com/kb/170271](http://smarttech.com/kb/170271)) for more information about ceiling clearances.

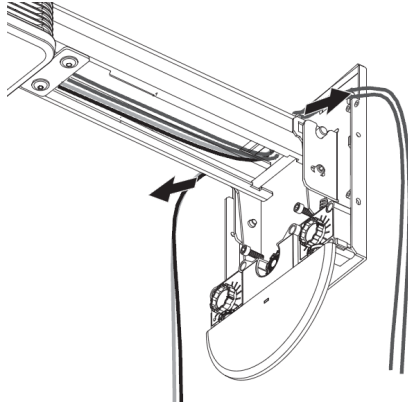


## Routing the cables

Follow these instructions to route and secure the cables to the wall.

### To connect the cables

1. Route the cables through the top of the boom and down its length before you connect them to the projector.



2. Connect all the cables to the projector and let them hang loose.



#### NOTE

See *Projector connections* on page 16 for more information.

3. After you've connected all the cables, connect the power cable to a power outlet.
4. Turn on your projector so you can see where the projected image falls
5. Align the image and make other image adjustments necessary before you route the cables around the projected image.

## CHAPTER 2

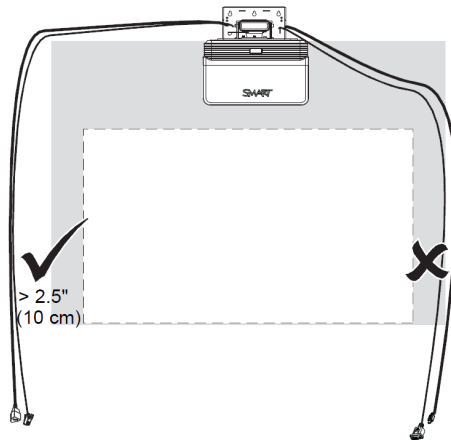
### Installing your projector

- Route and secure the cables to the wall, ensuring they don't protrude past the image surface between the bottom of the projector mount and the projected image. Objects in this area should be moved or removed before you use your projector because they can cause parts of the projected image to lose finger touch function.



#### IMPORTANT

Leave extra space between the cables and the projected image so you can make image adjustments later.



## Projector connections



### NOTES

- You can connect a variety of peripheral input devices to your projector, including DVD/Blu-ray™ players, VCRs, computers, document cameras, digital cameras and high-definition sources, as well as peripheral device outputs, such as a secondary projector or powered speakers.
- You might need to purchase third-party adapters to connect certain peripheral devices.
- Peripheral devices aren't included.
- To connect the XCP to the projector, see *Connecting the XCP to the projector* on page 32.
- To connect the SMART GoWire cable to the projector, see *Connecting the SMART GoWire cable to the projector* on page 39.

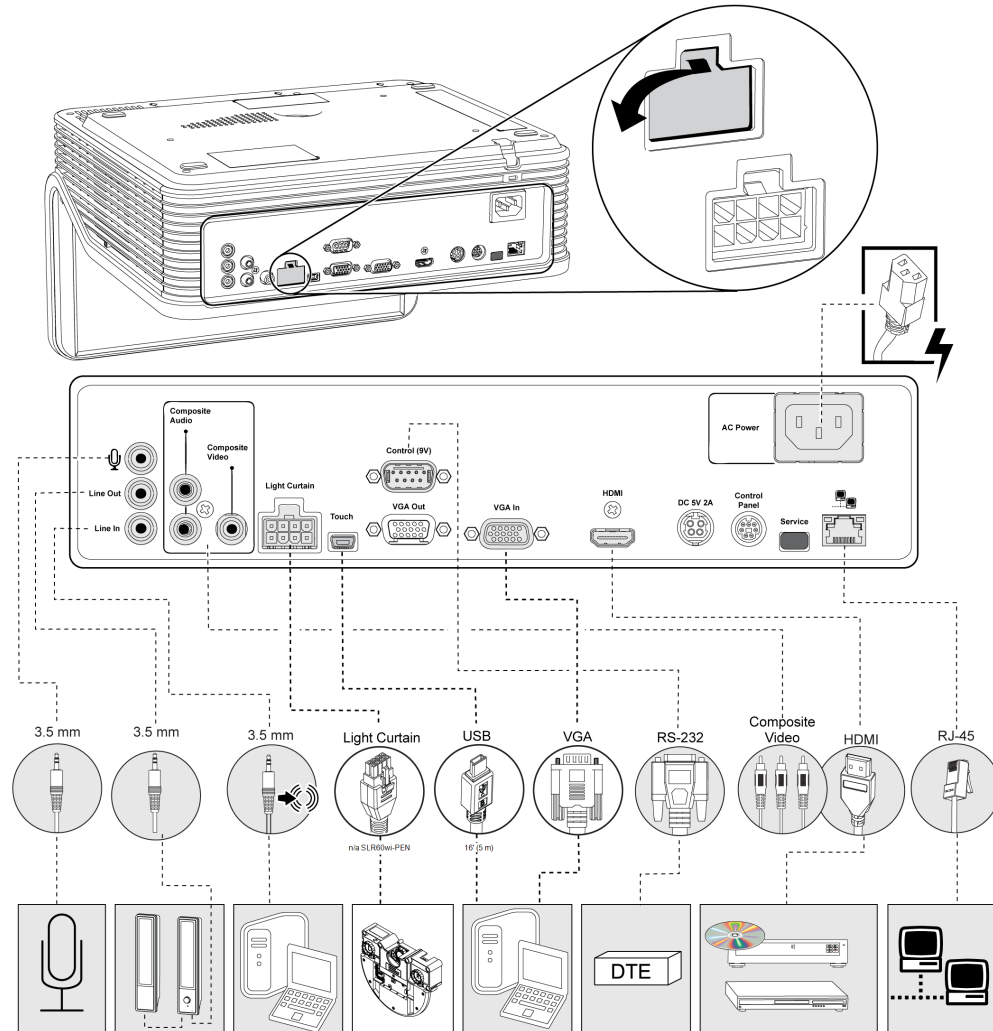


## CHAPTER 2

### Installing your projector

## SLR60wi interactive projectors

The following diagram describes the connections available on the SLR60wi interactive projector.

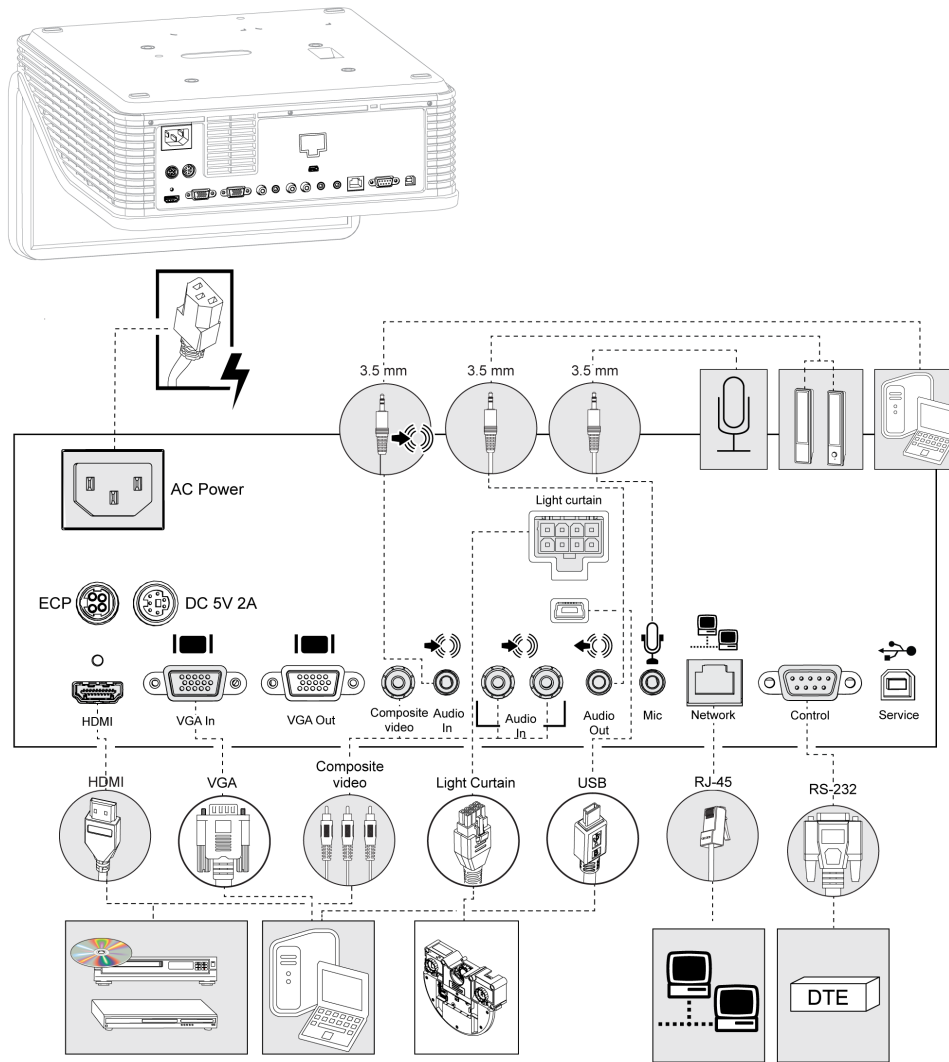


## CHAPTER 2

### Installing your projector

## SLR60wi2 interactive projectors

The following diagram describes the connections available on the SLR60wi2 interactive projector.

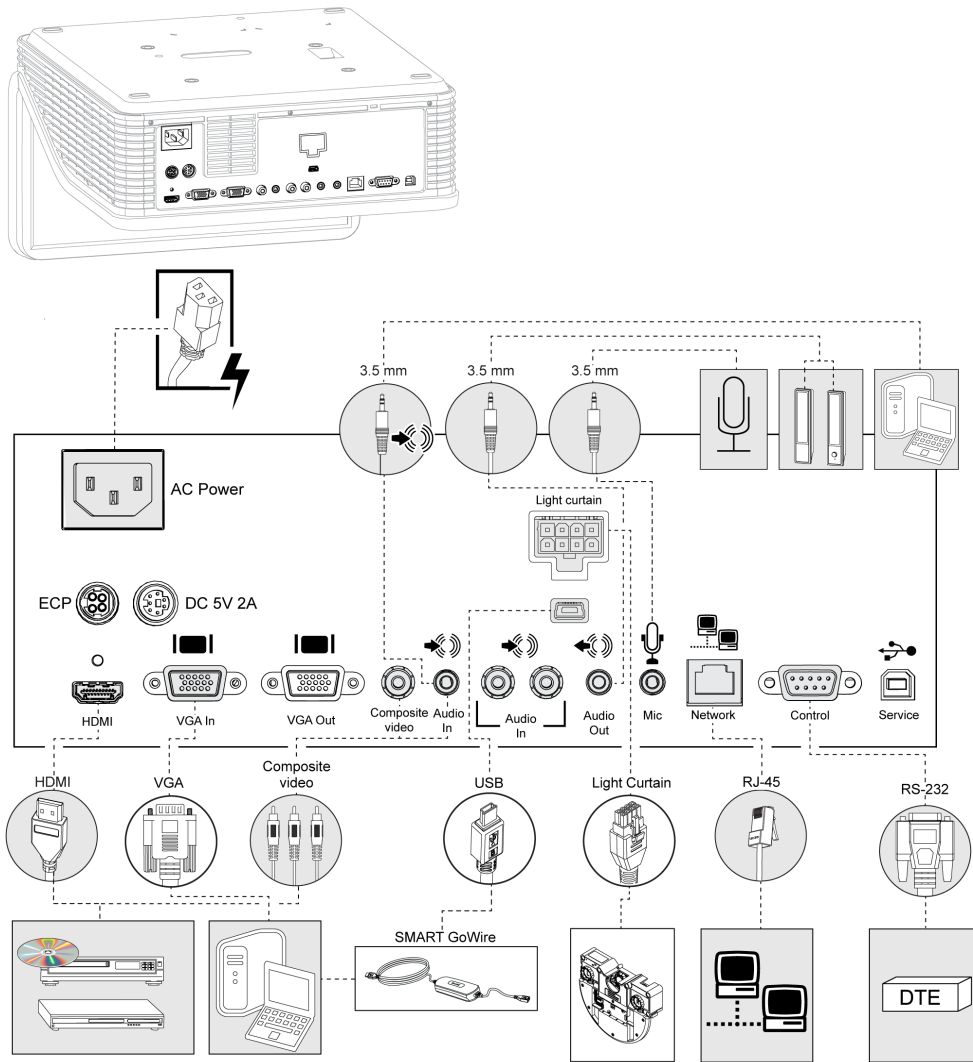


## CHAPTER 2

Installing your projector

### SLR60wi2-SMP interactive projectors

The following diagram describes the connections available on the SLR60wi2-SMP interactive projector.



## Installing DisplayLink drivers for the XCP

DisplayLink drivers are required to use the SMART Connect USB receptacle on the XCP. Install the drivers on the computer connected to the XCP.

### To install DisplayLink drivers

Insert the DisplayLink CD that came with the XCP, and then follow the on-screen instructions.

## CHAPTER 2

Installing your projector

# Installing SMART Notebook software

Pen and finger touch will work with any computer connected to your interactive projector, but for multitouch and full functionality, install SMART Notebook software. You can install the software from the DVD that came with your projector and you can visit [smarttech.com/software](http://smarttech.com/software) to download software updates.

### To install SMART software

Insert the SMART software DVD that came with your interactive projector, and then follow the on-screen instructions.

# Installing SMART Meeting Pro software

Pen and finger touch work with any computer connected to your projector, but to enable full functionality, including multitouch, install SMART Meeting Pro software.


### To install SMART Meeting Pro software

Go to the URL printed on your SMART Meeting Pro software download card, and then follow the on-screen instructions.

# Aligning the projector

After you install SMART Notebook software or SMART Meeting Pro software, you can perform the alignment procedure. This procedure must be completed before you can use the projector.

### To align the projector

1. Click the **SMART Board®**  icon in the Windows® notification area or the Mac Menu bar, and then select **SMART Settings**.

The *SMART Settings* window appears.

- If your projector is connected to your computer and working, the following text appears: *The SMART Board interactive whiteboard is working properly.*
- If your projector isn't connected to your computer, the following text appears: *No SMART Boards are connected.*

2. Select **Connection Wizard**.

## CHAPTER 2

### Installing your projector

3. Select **LightRaise 60wi interactive projector** from the **SMART products found** drop-down list, and then click **Next**.

*LightRaise interactive projector* appears.

4. Click **Next**.
5. Click **Initial Setup**.
6. Follow the on-screen instructions.



#### **IMPORTANT**

See Chapter 4 of the *LightRaise interactive projector installation guide* ([smarttech.com/kb/170259](http://smarttech.com/kb/170259)) for more information about aligning your system.



# Chapter 3

## Using your projector

How your projector works .....	23
Interacting with your computer .....	24
Using the remote control .....	24
Focusing the image .....	25
Adjusting the image .....	26
Using your interactive pen .....	26
Interactive pen components .....	27
Charging the interactive pen .....	28
Writing or drawing with SMART Ink™ .....	28

---

This chapter describes how to use your projector, use your remote control, retrieve system information, access the projector's image adjustment options and integrate your system with peripheral devices.

### How your projector works

The LightRaise interactive projectors are a unique finger and pen touch solution. A specially filtered infrared camera and signal processor, embedded in your projector, tracks pens and fingers. The SLR60wi can track up to two fingers or two pens simultaneously. The SLR60wi2 can track up four points of contact on the surface, enabling two users to draw and gesture. The Touch Detection Module (TDM), located immediately under the projector boom, generates a tightly controlled infrared light beam very close to the surface. The infrared camera detects the reflection from your finger or the glow from the active pen when you touch the surface. The system can differentiate between fingers and pens, enabling you to write with a pen and move objects with a finger at the same time. In addition, the active tip in the pen is synchronized with the TDM and ensures the pen writes only when in contact with the surface. Because the interactive technology is located in the projector and the TDM, and not in a board, you can turn almost any reasonably flat surface—a common dry-erase board or even a bare wall—into an interactive surface.


## Interacting with your computer

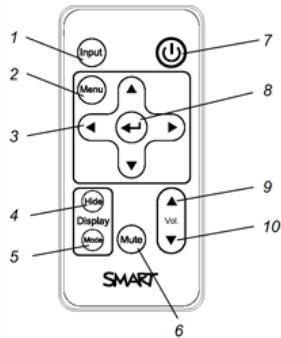
You interact with your computer by touching the surface with your finger. You can touch the screen to open files, navigate folders and manipulate content. Each touch acts as a left-click.

Right-click by touching and holding your finger to the surface for about two seconds.

## Using the remote control

The projector's remote control enables you to access on-screen menus and change projector

settings. Use the **Power**  button on the remote control to put the projector into **Standby** mode or to turn it on. You can also use the **Input** button on the remote control to switch sources on the projector.



Number	Function	Description
1	Input	Select a video and audio input source.
2	Menu	Show or hide the projector menus.
3	◀ (Left), ▶ (Right), ▲ (Up) and ▼ (Down) arrows	Change the menu selections and adjustments.
4	Hide	Freeze, hide or display the image: <ul style="list-style-type: none"> <li>• Press once to freeze the image. For example, you can display a question on the screen while you check your e-mail.</li> <li>• Press again to hide the image and display a black screen.</li> <li>• Press again to return to the live image.</li> </ul>



## CHAPTER 3

### Using your projector

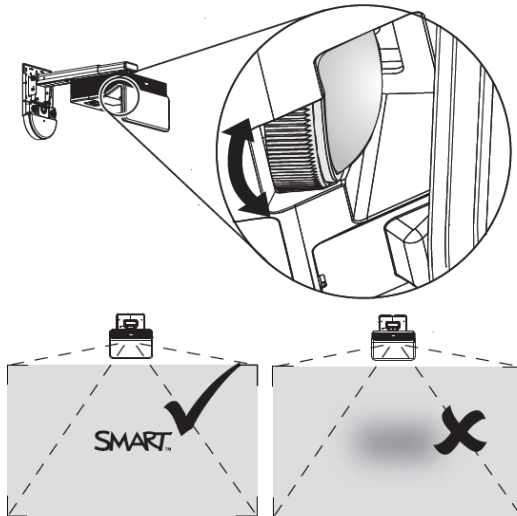
Number	Function	Description
5	Mode	Select one of the following display modes: <ul style="list-style-type: none"><li>• SMART Presentation</li><li>• Bright Room</li><li>• Dark Room</li><li>• sRGB</li><li>• User</li></ul>
6	Mute	Mute audio.
7	⏻ (Power)	Turn on the projector or put it into Standby mode.
8	↵ (Enter)	Accept the selected mode or option.
9	▲ (Volume Up)	Increase audio amplification volume.
10	▼ (Volume Down)	Decrease audio amplification volume.

## Focusing the image

To focus the projected image, use the focus ring located on the projector lens.

### ■ To focus and adjust the image

Rotate the focus ring right or left until the image is in focus.



## Adjusting the image

Refer to these notes when adjusting the projected image as described in the included *LightRaise interactive projectors installation guide* ([smarttech.com/kb/170259](http://smarttech.com/kb/170259)).

- While adjusting the projected image size, shape and location, disconnect your computer from the projector, and then use the projector's default background, or the test image from the test menu, so that you can see the full projected image clearly. Don't use other images, which might be cropped or scaled by the projector and could result in a misleading projected image size, shape and location.
- Use the projector's ball joint lever, keystone screws and boom length mechanical adjustments to make all physical image adjustments. Don't use the projector's on-screen menu options during the projector alignment process. See [smarttech.com/kb/170259](http://smarttech.com/kb/170259) for more information.
- Be aware that as you tilt the projector up or lower its mounting boom to raise the image, the entire projected image increases or decreases in size, especially at the bottom of the projected image.



### NOTE

The center of the image is offset from the center of the mounting bracket with a tolerance of  $\pm 2"$ . See the *LightRaise interactive projectors installation template* ([smarttech.com/kb/170271](http://smarttech.com/kb/170271)) for more information.

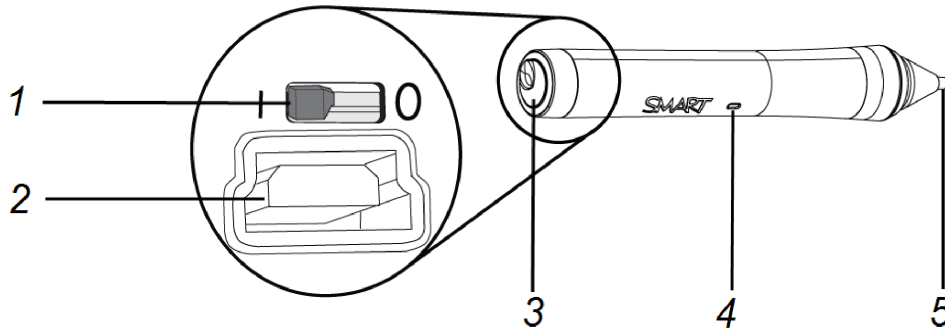
- When you move the projector forward or backward on the boom to make the image larger or smaller, you might need to tilt or turn the projector slightly to keep the image square. Loosen the ball joint lever slightly to aid in this adjustment.
- To fine-tune the image, you might need to repeat all steps described in the installation document in smaller increments.


## Using your interactive pen

The projector includes two interactive pens that can be used to draw or write in digital ink at the same time. You can also use one interactive pen while you're using your finger to touch the surface and interact with your computer. Each pen has a charging port and a status light to help you understand its status.

## Interactive pen components

The following diagram and table describe the components of the interactive pens.



Component	Description
1	On/Off switch
<div style="background-color: #f0f0f0; padding: 5px;"> <p> <b>NOTE</b></p> <p>You can leave the switch <b>On</b> all the time, including when charging. The pen automatically turns off when not in use to prolong battery life.</p> </div>	
2	USB receptacle for charging
3	Access cover
4	Status light
5	Active tip

## CHAPTER 3

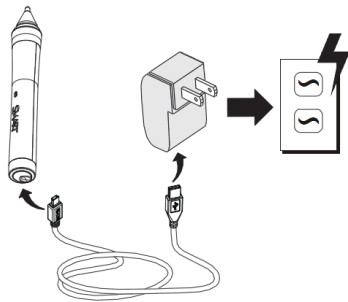
Using your projector

### Charging the interactive pen

The pen has a rechargeable lithium-ion battery that can charge in two hours. A fully charged pen will operate for two days before requiring recharging.

#### To charge your interactive pen

1. Connect the USB charging cable to the included charger, and then connect it to the pen.
2. Connect the charger to a power outlet.



#### NOTES

- You can also charge the interactive pen by connecting it to your computer with a USB cable.
- You can store the interactive pen in the pen holder during charging.
- The interactive pen doesn't write while it's charging.

### Writing or drawing with SMART Ink™

When you connect your computer to your SMART interactive product, you can use SMART Ink to write and draw in digital ink over open applications, files, folders, websites and any other open window on your computer. SMART Ink includes SMART Ink Notes, which enables you to write in digital ink anywhere on your desktop. It also includes the SMART Ink Document Viewer, which enables you to view your PDF files and to write in digital ink over them.


#### To write with your finger

1. Press **SMART Ink** ▼ on the toolbar with your finger.  
The SMART Ink tools appear.
2. Use your finger to select a pen color or tool.
3. Write over an open file, folder or website with your finger.

## CHAPTER 3

Using your projector

### To write with an interactive pen

1. Press **SMART Ink**  on the toolbar with an interactive pen.  
The SMART Ink tools appear.
2. Use the interactive pen to select a pen color or tool.
3. Write over an open file, folder or website with the interactive pen.



#### NOTES

- SMART Ink remembers the last ink color or tool you selected. When you change the ink color with the interactive pen, it doesn't change the ink color you set for finger touch.
- See the SMART Ink online Help for more information on how to use the software.



# Chapter 4

## Using the XCP

Connecting the XCP to the projector .....	32
SLR60wi interactive projectors .....	33
SLR60wi2 interactive projectors .....	34
Connecting the XCP adapters to the XCP .....	35
XCP input connections .....	36
Using the XCP projector controls .....	37
Using the SMART GoWire cable with the XCP .....	38

### NOTE

The XCP is included with the SLR60wi2-SMP.

If you purchased a LightRaise projector control (XCP), you can mount it on the wall beside your interactive surface, giving you a convenient location to connect your peripheral devices and to control basic projector operations.

You can connect a single USB cable to the SMART Connect port for an all-in-one audio, video and data connection to your computer. The XCP features built-in composite connectors, as well as a multi-pin recessed connector used to connect VGA or HDMI adapters (see *XCP adapters* on page 6).

### NOTE

If you experience poor video quality when using the single USB cable to connect the XCP to your computer, you might need to switch to a VGA or HDMI cable.

### IMPORTANT

- You must enable the **Control Panel** setting in the on-screen display (OSD) menu before you can use the XCP (see *Adjusting the interactive projector settings* on page 97).
- There are no projector menu options on the XCP. Keep your remote control in a safe place, such as the pen holder, because the XCP is not a substitute for the remote control.

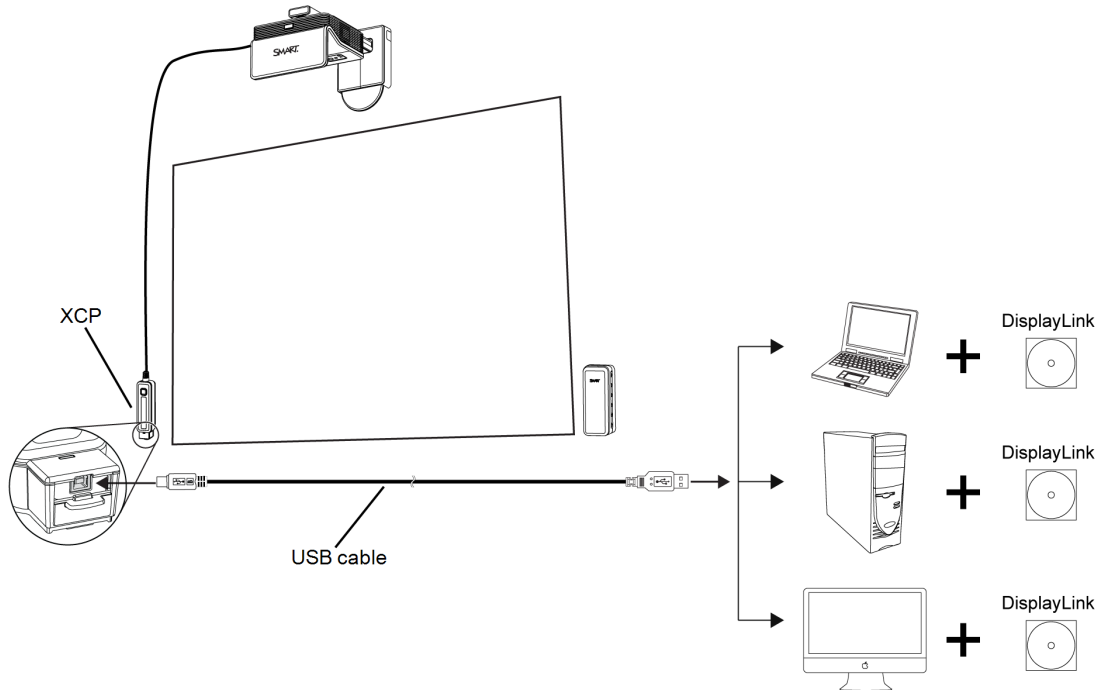
## Connecting the XCP to the projector

### IMPORTANT

Before using the XCP, install the DisplayLink drivers on your computer from the CD included with the XCP.

### NOTES

- The XCP is included with the SLR60wi2-SMP.
- To connect the XCP adapters to your computer, see *Connecting the XCP adapters to the XCP* on page 35.



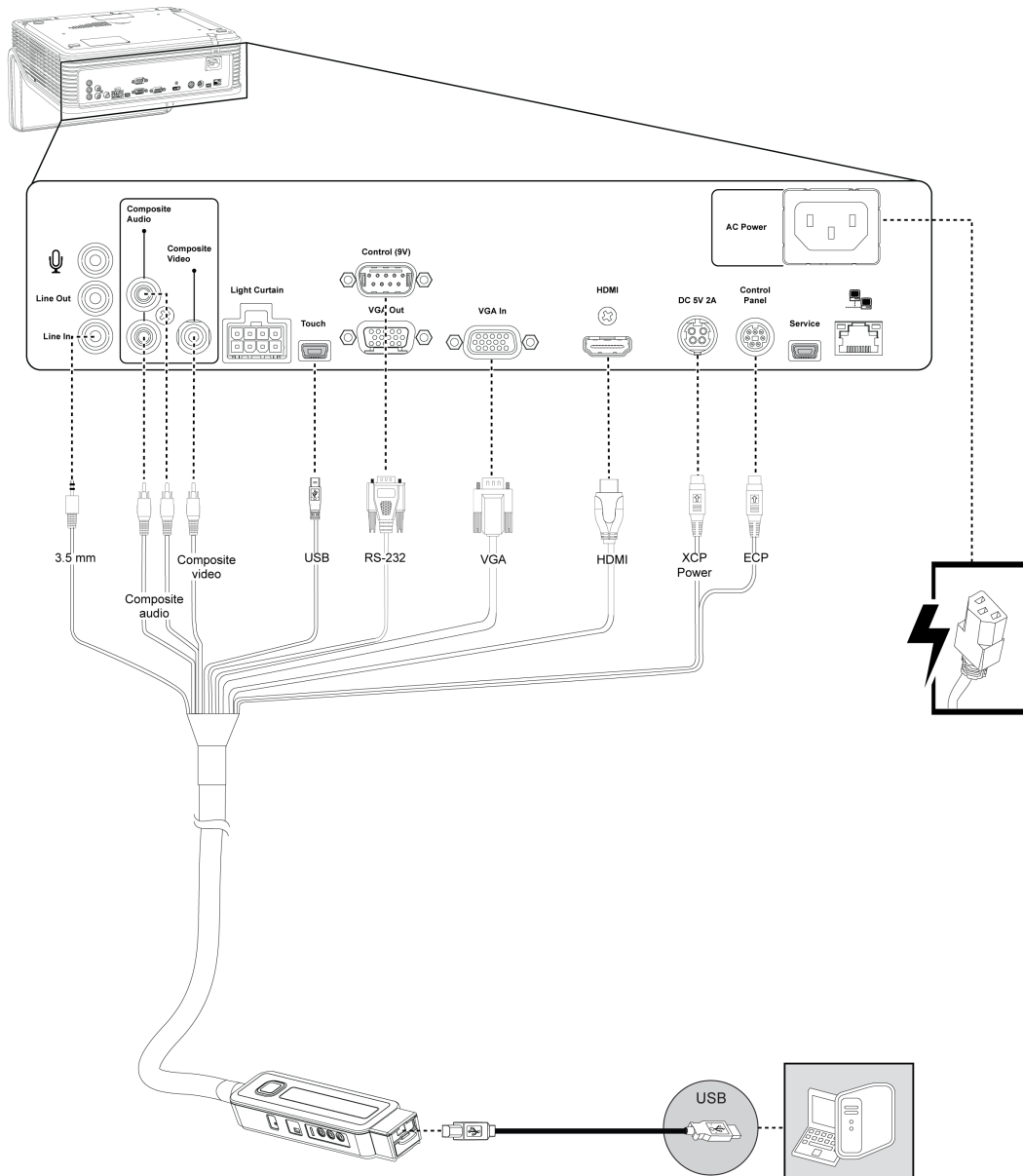


## CHAPTER 4

Using the XCP

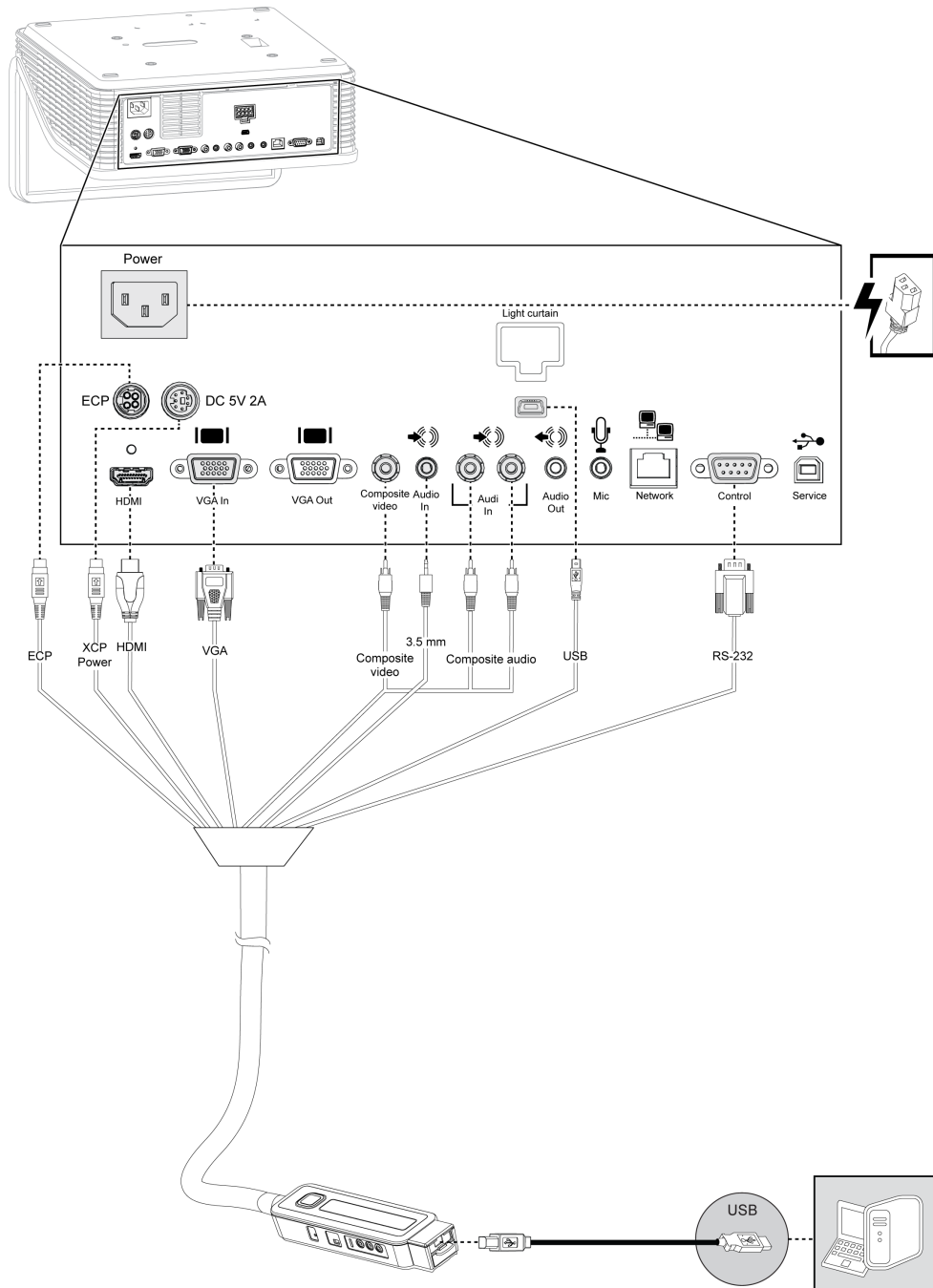
### SLR60wi interactive projectors

The following diagram describes the connectors of the XCP harness cable on the SLR60wi interactive projector.



## SLR60wi2 interactive projectors

The following diagram describes the connectors of the XCP harness cable on the SLR60wi2 interactive projector.

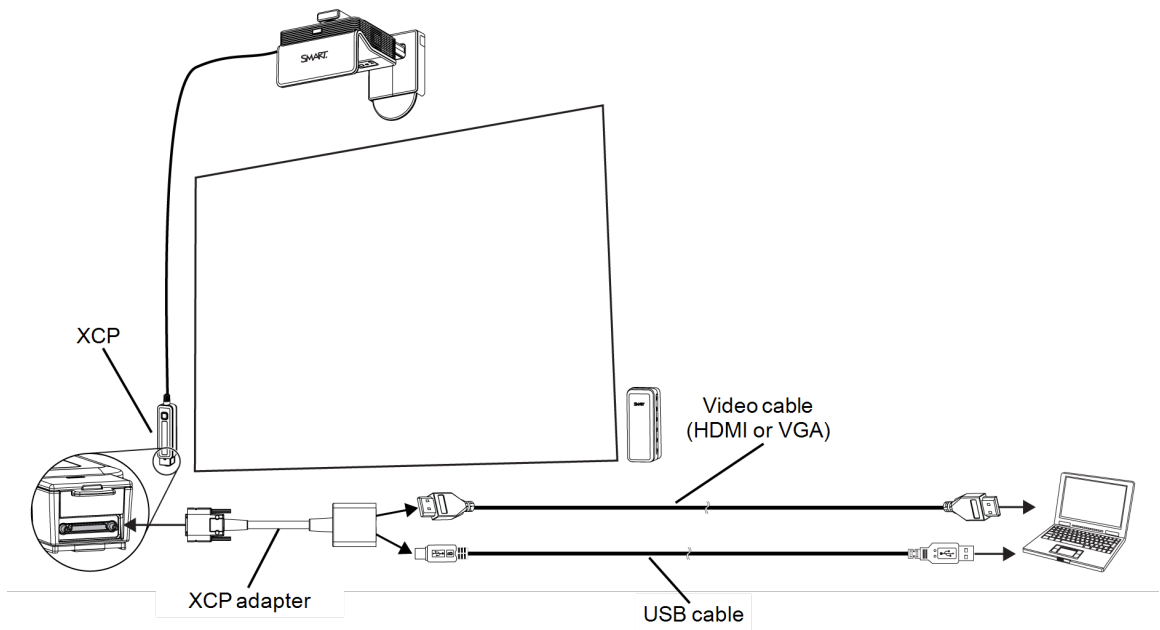


## Connecting the XCP adapters to the XCP

If you don't want to use a USB cable for an all-in-one audio, video and data connection to your computer, you can use a VGA or an HDMI cable when you purchase the appropriate adapter to connect your computer to the XCP.

### NOTE

When using XCP adapters DisplayLink drivers are not required as the video signal goes through the video cable.

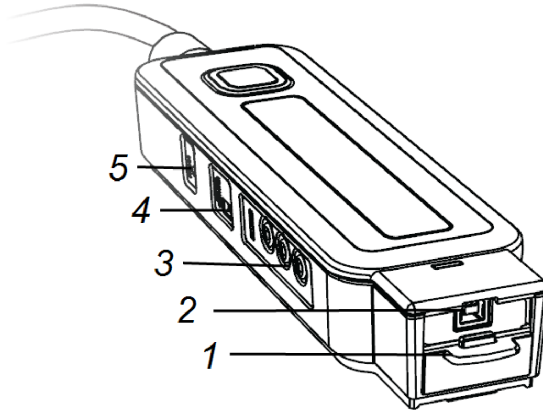


### To connect an adapter to the XCP

1. On the XCP, slide the receptacle door up to access the recessed multi-pin receptacle.
2. Connect the adapter to the multi-pin receptacle.
3. Connect a video cable and a USB cable to the adapter.
4. Connect the video cable and USB cable to the computer.

## XCP input connections

The following diagram and table describe the connections available from the XCP.



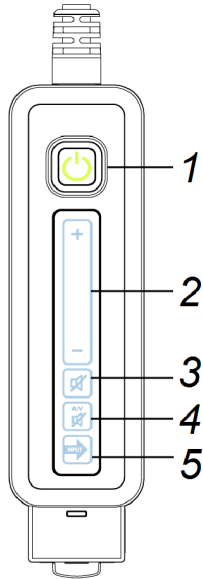
Number	Function
1	Recessed multi-pin receptacle for connecting to your computer with the optional display connection adapters (see <i>XCP adapters</i> on page 6). In order to access the receptacle, slide the receptacle door up. See the <i>XCP to LightRaise interactive projector quick connect guide</i> ( <a href="http://smarttech.com/kb/170431">smarttech.com/kb/170431</a> ) for more information on how to connect the XCP adapters.
2	SMART Connect port for connecting audio, video and data to your computer with a single USB B cable.
3	RCA composite video input jack and RCA composite audio input and output jacks
4	4-pin receptacle for third-party room control system
5	Reset button can be pressed using a small object, such as a pencil, to reset the XCP.



### NOTE

The XCP also has two active input status lights (see *Determining XCP status* on page 63).

## Using the XCP projector controls

The following diagram and table describe the basic projector controls you can access from the XCP.



Number	Control	Function
1	<b>Power</b>  button	Tap the <b>Power</b>  button to turn the projector on and off. The button illuminates to indicate the projector status (see <i>Determining projector status</i> on page 60).
2	<b>Volume slider</b>	Tap, tap and hold, or swipe the <b>Volume slider</b> to increase and decrease the volume. The slider brightens as you increase the volume.
3	<b>Volume mute</b>	Tap the <b>Volume mute</b> button to mute the audio from the built-in projector speakers. The button turns amber when activated.
4	<b>A/V mute</b>	Tap the <b>A/V mute</b> button to freeze the current image and mute the audio presented by the projector. The button turns amber when activated. Tap the button a second time to display a blank screen. Tap the button a third time to return the screen to normal.

## CHAPTER 4

### Using the XCP

Number	Control	Function
5	<b>Input</b>	<p>Tap the <b>Input</b> button to cycle through the supported input modes. Depending on which adapter is connected to the XCP, some of the supported input modes vary as follows:</p> <ul style="list-style-type: none"><li>• If no adapter is connected, the SMART Connect or composite input modes are available.</li><li>• If the optional VGA + USB adapter is connected, the VGA and composite input modes are available.</li><li>• If the optional HDMI + USB adapter is connected, the HDMI and composite input modes are available.</li></ul>

## Using the SMART GoWire cable with the XCP

You can use the SMART GoWire cable with the XCP. See *Connecting the SMART GoWire cable to the XCP* on page 40 for more information.

## Chapter 5

# Using the SMART GoWire cable

Connecting the SMART GoWire cable to the projector .....	39
Connecting the SMART GoWire cable to the XCP .....	40

---

Any computer connected to your projector requires SMART software. Typically, you install this software on your room computer so that it's always ready to use.

However, if you want to connect a laptop that doesn't have SMART software installed, you can connect a SMART GoWire cable from the laptop to the USB cable to the projector or through the XCP. The SMART GoWire cable enables you to have touch control of your laptop and use SMART Meeting Pro PE software without installing the software on your laptop.

A SMART GoWire cable is included with SLR60wi2-SMP interactive projectors. For more information, see *SMART GoWire auto-launch cable for business illustrated installation instructions* ([smarttech.com/kb/147790](http://smarttech.com/kb/147790)).

## Connecting the SMART GoWire cable to the projector

### To connect a SMART GoWire cable to the projector

1. Connect a video cable from the projector to your laptop.
2. Connect a USB cable from the USB receptacle on the projector to the SMART GoWire cable's USB A receptacle.

## CHAPTER 5

### Using the SMART GoWire cable

3. Connect the SMART GoWire cable's USB connector to your laptop.

The *AutoPlay* dialog box appears.

#### IMPORTANT

If the SMART GoWire cable is not connected to your projector, you have access to SMART Meeting Pro PE software on your laptop for five minutes, and then the software closes.

4. Select **Start SMART Meeting Pro**.

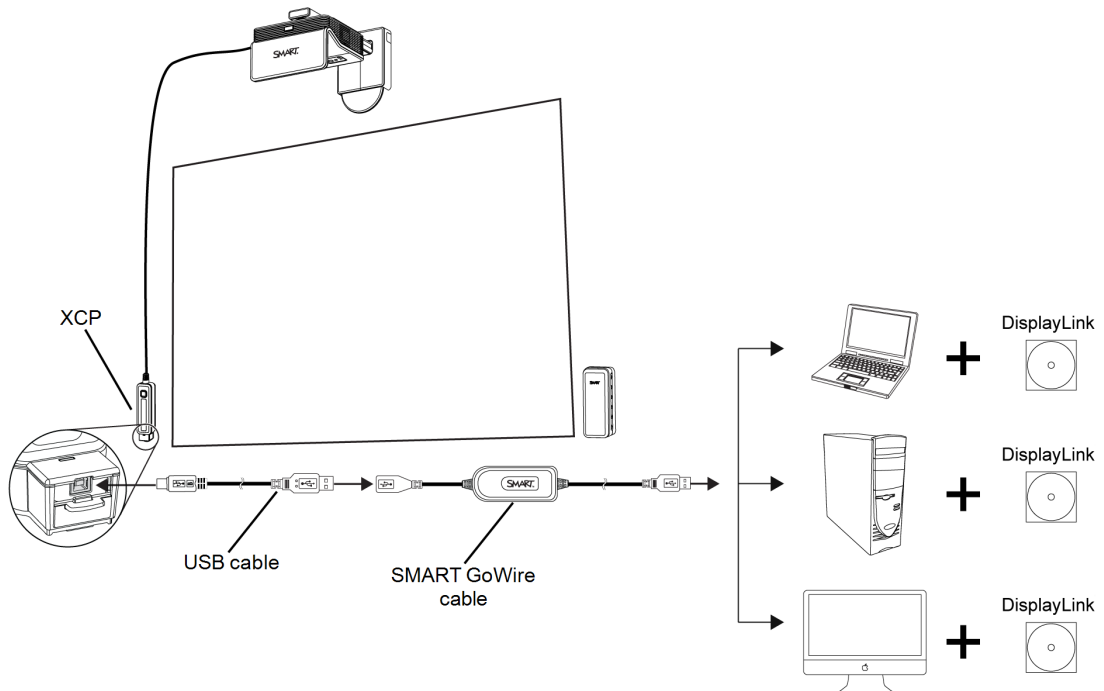
SMART Meeting Pro PE software starts. You have touch control of your laptop and can use SMART Meeting Pro PE software while your laptop is connected to the SMART GoWire cable.

## Connecting the SMART GoWire cable to the XCP

### To connect a SMART GoWire cable to the XCP

#### IMPORTANT

Before you use the XCP, install the DisplayLink drivers on your computer from the CD included with the XCP.





## CHAPTER 5

Using the SMART GoWire cable

1. Connect a USB cable to the SMART Connect port on the XCP and to the SMART GoWire cable's USB A receptacle.
2. Connect the SMART GoWire cable's USB connector to your laptop.

The *AutoPlay* dialog box appears.



### IMPORTANT

If the SMART GoWire cable is not connected to your projector through a USB cable, you have access to SMART Meeting Pro PE software on your laptop for five minutes, and then the software closes.

3. Select **Start SMART Meeting Pro**.

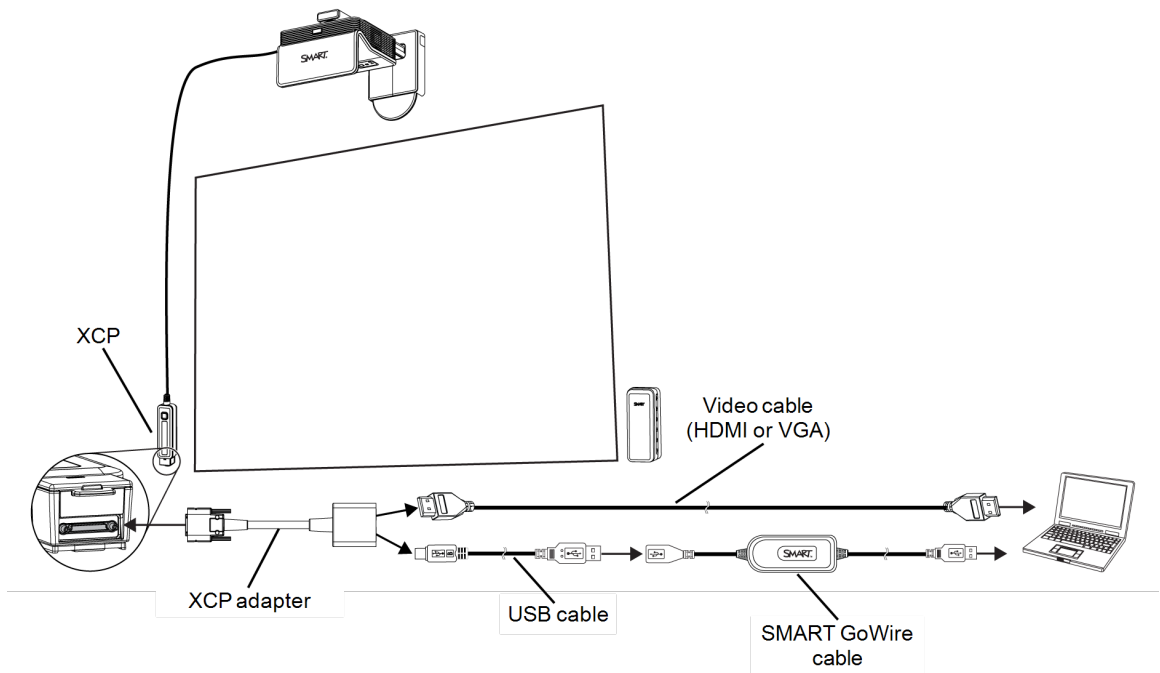
SMART Meeting Pro PE software starts. You have touch control of your laptop and can use SMART Meeting Pro PE software while your laptop is connected to the SMART GoWire cable.

If you don't want to use a USB cable for an all-in-one audio, video and data connection to your computer, you can use a VGA or an HDMI cable if you purchase the appropriate adapter, to connect your computer to the XCP.

## To connect a SMART GoWire cable to the XCP with XCP adapters

### NOTE

When you use XCP adapters, you don't need DisplayLink drivers, because the video signal goes through the video cable.



1. On the XCP, slide the receptacle door up to access the recessed multi-pin receptacle.
2. Connect the adapter to the multi-pin receptacle.
3. Connect a video cable from the adapter to the laptop.
4. Connect a USB cable from the adapter to the SMART GoWire cable's USB A receptacle.
5. Connect the SMART GoWire cable's USB connector to your laptop.

The *AutoPlay* dialog box appears.

### IMPORTANT

If the SMART GoWire cable is not connected to your laptop, you have access to SMART Meeting Pro PE software on your laptop for five minutes, and then the software closes.

## CHAPTER 5

Using the SMART GoWire cable

6. Select **Start SMART Meeting Pro**.

SMART Meeting Pro PE software starts. You have touch control of your laptop and can use SMART Meeting Pro PE software while your laptop is connected to the SMART GoWire cable.



## Chapter 6

# Maintaining your projector

Replacing the remote control battery .....	45
Replacing the CAT battery .....	47
Cleaning the projector and accessories .....	47
When cleaning the projector's exterior .....	48
When cleaning the projector's mirror and lens .....	48
When cleaning the projector's accessories .....	48
Replacing the projector lamp module .....	48
SLR60wi lamp module .....	50
SLR60wi2 lamp module .....	53
Resetting the lamp hours .....	56

---

This chapter describes how to clean and prevent damage to your projector and also how to replace parts.

## Replacing the remote control battery

Follow this procedure to replace the remote control battery.

### **WARNING**

- Reduce the risk associated with a leaking battery in the projector's remote control by following these practices:
  - Use only the specified type of coin-cell battery.
  - Orient the battery's positive (+) and negative (–) terminals according to the markings on the remote control.
  - Remove the battery when the remote control is unused for an extended period.
  - Do not heat, disassemble, short or recharge the battery, or expose it to fire or high temperatures.
  - Avoid eye and skin contact with the battery if it has a leak.

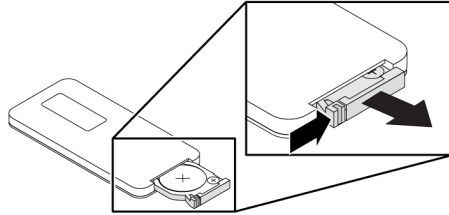
## CHAPTER 6

### Maintaining your projector

- Dispose of the exhausted battery and product components in accordance with applicable regulations.

#### **To replace the remote control battery**

1. Hold down the side release on the left side of the battery holder and pull the battery holder completely out of the remote control.



2. Remove the old battery from the battery holder and replace it with a CR2025 coin-cell battery.



#### **IMPORTANT**

Align the positive (+) and negative (–) signs on the battery terminals with the correct signs on the battery holder.

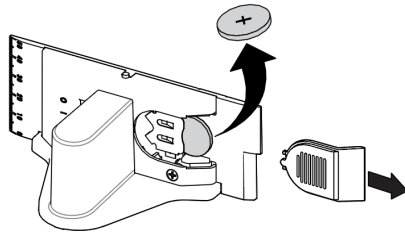
3. Insert the battery holder into the remote control.
4. Recycle or dispose of the old battery properly.

## Replacing the CAT battery

Follow this procedure to replace the curtain alignment tool (CAT) battery.

### To replace the CAT battery

1. Press down on the battery door by the handle of the CAT and slide it away from the tool.



2. Remove the old battery and replace it with a CR2032 coin-cell battery.

#### **IMPORTANT**

Align the positive (+) and negative (-) signs on the battery terminals with the correct signs on the battery holder.

3. Replace the battery door on the CAT.
4. Recycle or dispose of the old battery properly.

## Cleaning the projector and accessories

#### **WARNING**

Cleaning a wall-mounted projector can result in a fall or injury. Use caution when climbing a ladder, and consider removing the projector from its wall-mounting bracket to clean it.

#### **CAUTION**

- Never touch the mirror with your hands or a brush, and do not scrub the surface of the mirror with a cleaning cloth. Instead, use a cleaning cloth to clean the mirror with a light touch, and do not put any cleaning solvents on the cloth or the mirror. Do not apply pressure to the projector lens or mirror.

## CHAPTER 6

### Maintaining your projector

- Do not spray cleaners, solvents or compressed air directly on the projector. Do not use spray cleaners or solvents near any part of the projector because they can damage or stain the unit. Spraying the system could spread a chemical mist on some of the projector's components and lamp, resulting in damage and poor image quality.
- Do not allow liquids or commercial solvents of any kind to flow into the projector base or head.

#### When cleaning the projector's exterior

- Wipe the exterior of the projector with a lint-free cloth.
- If necessary, use a soft cloth moistened with a mild detergent to clean the projector housing.

#### IMPORTANT

- Do not use these methods to clean the projector mirror or lens. See *When cleaning the projector's exterior* above for further details.
- Do not use abrasive cleaners, waxes or solvents.

#### When cleaning the projector's mirror and lens

- Use a bellows bulb or air blower bulb (commonly found in audio-visual supply stores) to blow off dust. Never touch the mirror or the lens with your bare hands or a brush.
- If wiping the mirror or the lens is unavoidable, wear protective gloves and gather the cleaning cloth into a ball. Gently run the cleaning cloth across the mirror and the lens like you would a feather duster. Don't apply any pressure to the mirror or the lens.

#### When cleaning the projector's accessories

Wipe the exterior of the pens and the CAT with a light, damp cloth.

## Replacing the projector lamp module

Eventually the lamp will dim and a message will appear reminding you to replace it. Make sure you have a replacement lamp module before proceeding with the following instructions. You also need a Phillips No. 1 screwdriver to complete these procedures.

#### WARNING

- See [smarttech.com/compliance](http://smarttech.com/compliance) for the interactive projector's material safety data sheet (MSDS) documents.



## CHAPTER 6

### Maintaining your projector

- Replace the lamp module when the interactive projector becomes dim or displays its lamp life warning message. If you continue to use the interactive projector after this message appears, the lamp can shatter or burst, scattering glass throughout the projector.
- If the lamp shatters or bursts, leave the room. Ventilate the area by opening windows and doors.

Next, do the following:

- Avoid touching the glass fragments because they can cause injury.
- Wash your hands thoroughly if you have come into contact with lamp debris.
- Thoroughly clean the area around the interactive projector, and discard any edible items placed in that area because they could be contaminated.
- Call your authorized SMART reseller for instructions. Do not attempt to replace the lamp.
- Replacing the lamp module in a wall-mounted projector can result in a fall or injury. Use caution when climbing a ladder, and consider removing the interactive projector from the wall-mount bracket to replace the lamp module.
- Uncovering the lamp while the interactive projector is mounted on the wall-mount bracket can lead to product damage or personal injury from falling pieces of glass if the lamp is broken.
- When replacing the interactive projector lamp module:
  - Put the interactive projector into Standby mode and wait 30 minutes for the lamp to cool completely.
  - Do not remove any screws other than those specified in the lamp replacement instructions.
  - Wear protective eyewear while changing the lamp module. Failure to do so can cause injuries including loss of eyesight if the lamp shatters or bursts.
  - Use only replacement lamp modules approved by SMART Technologies. Contact your authorized SMART reseller for replacement parts.
  - Never replace the lamp module with a previously used lamp module.
  - Always handle the fragile lamp assembly with care to prevent premature lamp failure or exposure to mercury. Use gloves when touching the lamp module. Do not touch the lamp with your fingers.
  - Recycle or dispose of the lamp module as hazardous waste in accordance with local regulations.


## CHAPTER 6

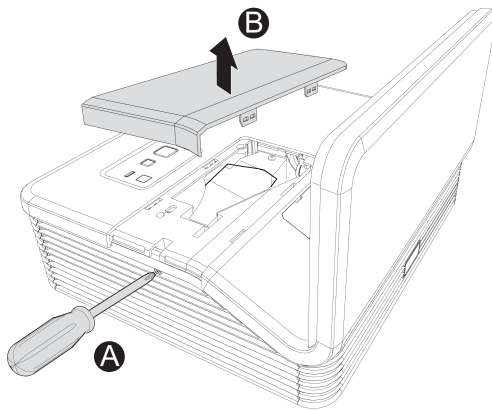
Maintaining your projector

### SLR60wi lamp module

You need a Phillips No. 2 screwdriver to complete these procedures.

#### To remove the old lamp module

1. If the projector is on and its status light displays solid green, press the **Power**  button twice on the remote control to put the projector into Standby mode.
2. Wait at least 30 minutes for the projector to cool down.
3. Disconnect the power cable from the projector.
4. Use the Phillips screwdriver to loosen the captive screw on the side of the projector, and then remove the lamp cover.



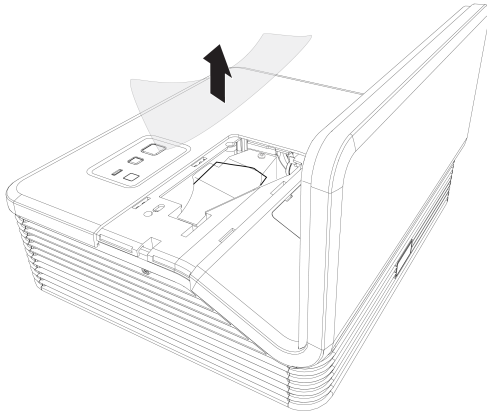
#### NOTE

Don't try to remove this screw. Captive screws can't be removed, but they must be loosened.

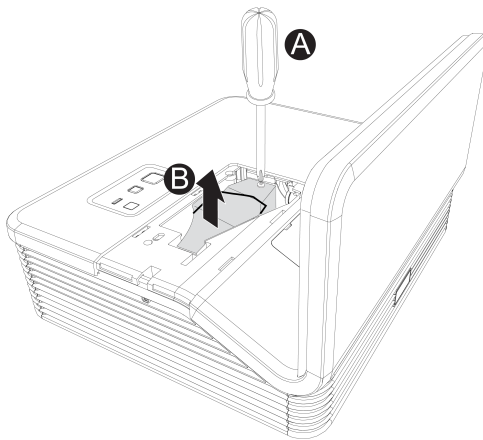
## CHAPTER 6

### Maintaining your projector

5. Remove protection film from the projector, and then put it in a safe place.



6. Use the Phillips screwdriver to loosen the captive screw on the lamp module, and disconnect the lamp module's power plug. Use the handle on the lamp module to gently slide the lamp module out and remove it from the projector.



7. Put the old lamp module in a secure container and handle it gently until you recycle or dispose of it.



#### **IMPORTANT**

Recycle or dispose of the lamp module according to your local waste authority.

### To put the new lamp module into the projector


1. Remove the new lamp module from its packaging.
2. Carefully place the lamp module into the projector using the handle on the top of the module, and then tighten the captive screw with the Phillips screwdriver.

#### CAUTION

Do not over-tighten the screws.

3. Connect the lamp module's power plug into the power receptacle.
4. Place the lamp protection film over the slot, carefully replace the lamp cover and then tighten the captive screw.

### To finish the projector lamp module installation

1. Connect the projector power cable to the wall outlet, and then turn on the projector.
2. Press the **Power**  button once on the remote control or XCP to confirm that the projector is operating and that the lamp module is correctly installed.
3. Adjust the projector image if necessary (see *Adjusting the image* on page 26).
4. Access the service menu to reset the lamp hours (see *Resetting the lamp hours* on page 56).
5. Activate the projector's alert e-mails and lamp warnings if they've been deactivated (see *E-mail alerts* on page 79 and *Control panel* on page 76).


## CHAPTER 6

Maintaining your projector

### SLR60wi2 lamp module

You need a Phillips No. 2 screwdriver and a flat screwdriver to complete these procedures.

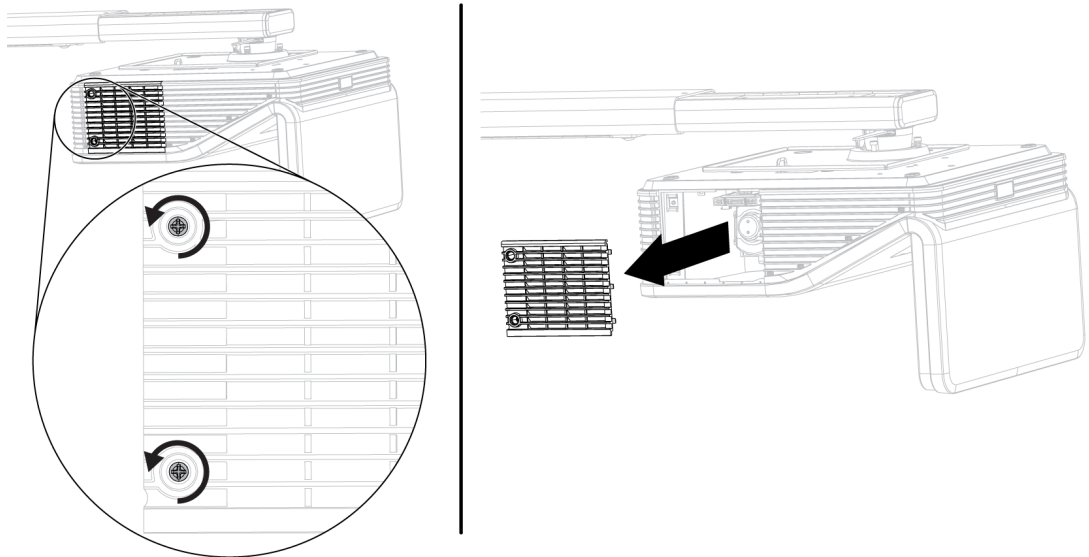
#### To remove the old lamp module

1. Press the **Power**  button twice on the remote control or the XCP to put the projector into Standby mode.
2. Wait at least 30 minutes for the projector to cool down.
3. Disconnect the power cable from the projector.
4. Use the Phillips screwdriver to loosen the two captive screws.



#### NOTE

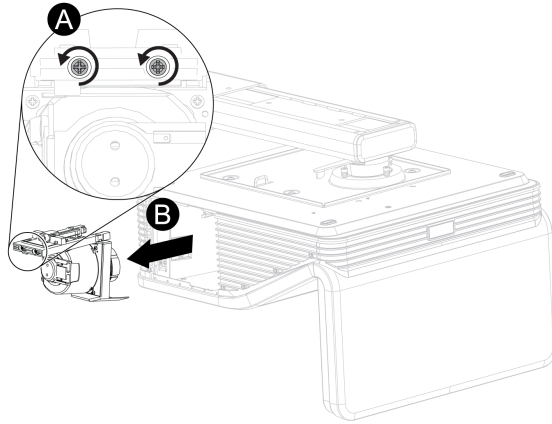
Don't try to remove these screws. Captive screws can't be removed, only loosened.



## CHAPTER 6

### Maintaining your projector

5. Use a Phillips screwdriver to loosen the two captive screws at the top of the lamp module and gently remove the lamp module



#### NOTE

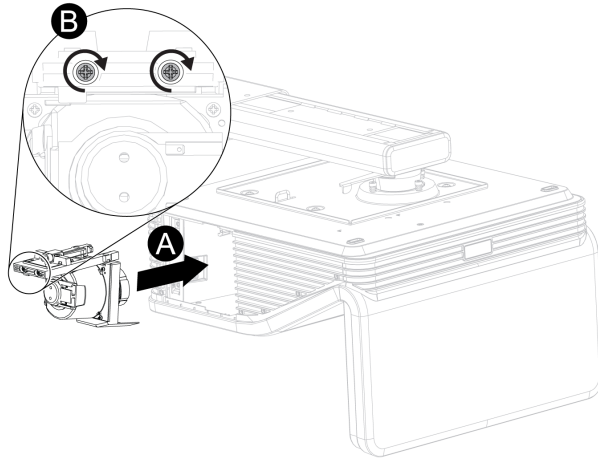
Don't try to remove these screws. Captive screws can't be removed, only loosened.

## CHAPTER 6

### Maintaining your projector

#### **To put the new lamp module into the projector**

1. Remove the new lamp module from its packaging.
2. Carefully place the lamp module into the projector and gently press the power end of the lamp module against the projector to ensure the power plug makes contact with the projector's power receptacle.



#### **NOTE**

You should be able to place the lamp module into the projector easily without applying much force.

3. Use the Phillips screwdriver to secure the captive screws.


#### **IMPORTANT**

Do not over-tighten the screws.


4. Replace the lamp cover.
5. Use the Phillips screwdriver to secure the captive screws.

#### **IMPORTANT**

Do not over-tighten the screws.

6. Connect the power cable to the wall outlet.
7. Press the **Power**  button once on the remote control or XCP to confirm that the projector is operating and that the lamp module is correctly installed.
8. Put the old lamp module in a secure container, and handle it gently until you recycle it.

### To finish the projector lamp module installation

1. Connect the projector power cable to the wall outlet, and then turn on the projector.
2. Press the **Power**  button once on the remote control or XCP to confirm that the projector is operating and that the lamp module is correctly installed.
3. Adjust the projector image if necessary (see *Adjusting the image* on page 26).
4. Access the service menu to reset the lamp hours (see *Resetting the lamp hours* below).
5. Activate the projector's alert e-mails and lamp warnings if they've been deactivated (see *E-mail alerts* on page 79 and *Control panel* on page 76).

## Resetting the lamp hours

After you replace the lamp module, you need to access the projector service menu and reset the lamp hours. To prevent accidental errors, only a system administrator should perform this procedure.



### NOTE

Always reset the lamp hours after you replace the lamp, because lamp service reminders are based on the current hours of use.

### To reset the lamp hours

1. Using the remote control, press the following buttons quickly to access the service menu:  
**Down, Up, Up, Left, Up.**



### CAUTION

Do not adjust any settings in the service menu other than those listed in this guide. Changing other settings can damage or affect the operation of your projector and may invalidate your warranty.



## CHAPTER 6

### Maintaining your projector

2. Scroll down to *Lamp Hour Reset*, and then press **OK**.

Both *Lamp Hour* values (Standard and Economy) reset to zero.

#### CAUTION


Do not reset the lamp hours unless you have just replaced the lamp module. Resetting the lamp hours on an old lamp can damage your projector as a result of lamp failure.

#### NOTE

You're unable to reset the Display Hour value because it's the running total of hours the projector has been in use.

3. Press the **Menu** button on the remote control.

The *Settings* menu appears.

4. Select  to confirm that *Lamp Hour* is reset to zero.



## Chapter 7

# Troubleshooting your projector



Determining projector status .....	60
Determining touch status .....	61
Determining interactive pen status .....	62
Determining curtain alignment tool (CAT) status .....	63
Determining XCP status .....	63
Projector status light .....	63
Active input status lights .....	63
Troubleshooting your SMART product with the Connection Wizard .....	64
Troubleshooting interactive pen issues .....	65
Troubleshooting finger touch issues .....	65
Finger touch issues .....	65
Touch accuracy and alignment issues .....	67
Troubleshooting image issues .....	67
Loss of signal .....	67
Partial, scrolling or incorrectly displayed image .....	68
Unstable or flickering image .....	68
Unaligned projected image .....	69
Troubleshooting projector errors .....	69
Your projector stops responding .....	70
The “Projector Overheated,” “Fan Failure” or “Color Wheel Failure” message appears .....	70
The “Lamp Failure” message appears .....	70
The projector Power and Service lights are off .....	71
Troubleshooting audio issues .....	71
Microphone volume issues .....	71
Speaker static .....	72
Troubleshooting XCP issues .....	72
Locating the serial number .....	73
SLR60wi serial number location .....	73
SLR60wi2 serial number location .....	73
Accessing the service menu .....	73
Retrieving your password .....	74
Resetting the projector .....	74



---

This chapter describes how to troubleshoot your projector.

## Determining projector status



The projector has one status light and one service light. Use the table below to determine the status of the projector.

Power light 	Service light 	Projected image	Status and related troubleshooting
<b>Normal operating states</b>			
Flashing green	Off	None	The projector is starting up.
Solid green	Off	Correct	The projector is operating normally. If image or sound issues occur, see the remaining sections of this chapter for troubleshooting information.
Flashing amber	Off	None	The projector is entering Standby mode.
Solid amber	Off	None	The projector is in Standby mode.
<b>Error states</b>			
Solid green	Off	Incorrect	The video input from the computer is not connected to the projector. Select the correct video input. OR The A/V mute is activated. Try pressing the <b>Hide</b> button on the remote control. If you purchased an XCP, try pressing the <b>A/V mute</b> button. OR There's an issue with the projected image (see <i>Troubleshooting image issues</i> on page 67).
Solid amber	Flashing red	None	There's an issue with the projector lamp. See <i>The "Lamp Failure" message appears</i> section in <i>Troubleshooting projector errors</i> on page 69.
Off	Flashing red	None	The projector's operating temperature has been exceeded. See <i>The "Projector Overheated," "Fan Failure" or "Color Wheel Failure" message appears</i> section in <i>Troubleshooting projector errors</i> on page 69.
Off	Solid red	None	There's an issue with the projector's fan or color wheel. See <i>The "Projector Overheated," "Fan Failure" or "Color Wheel Failure" message appears</i> section in <i>Troubleshooting projector errors</i> on page 69.

Power light 	Service light 	Projected image	Status and related troubleshooting
Off	Off	None	The projector power cable isn't properly connected. OR There's an issue with the mains power supply (for example, the circuit breaker is off).

## Determining touch status

The TDM has one tri-colored status light. Use the table below to determine the status of the TDM.

TDM status light	Touch interaction	Status and related troubleshooting
<b>Normal operating states</b>		
Solid green	Full control	The Touch USB is connected, and SMART Product Drivers is running.
Flashing green	Full control	The Touch USB is connected, and the default operating system drivers are running. You might have single touch only, depending on your operating system.  <div style="background-color: #f0f0f0; padding: 5px;">  <b>NOTE</b>                      If you install SMART Product Drivers, you have full multitouch interactivity. You can also use the <i>Connection Wizard</i> to check the status of your projector connection and to troubleshoot your projector (see <i>Troubleshooting your SMART product with the Connection Wizard</i> on page 64).                 </div>
Flashing amber/red	No touch	The TDM is in red laser mode which is used during alignment. Wait three minutes for the red lasers to turn off.
<b>Error states</b>		
Solid green or flashing green	No touch	The USB cable for touch isn't properly connected to your computer. OR Change the Touch setting in the OSD menu to match the current input (see ).  <div style="background-color: #f0f0f0; padding: 5px;">  <b>NOTE</b>                      Touch is disabled if the current input doesn't match the Touch setting in the OSD menu. This is to avoid false touches on your computer when you touch a DVD or other source image.                 </div>

## CHAPTER 7

### Troubleshooting your projector

TDM status light	Touch interaction	Status and related troubleshooting
Solid red	No touch	Connect the Touch USB cable.
Flashing red/amber	No touch	Hardware fault. Turn the projector off and then on again. Contact <a href="http://smarttech.com/contactsupport">smarttech.com/contactsupport</a> if the issue continues.

## Determining interactive pen status

The interactive pens each have one tri-colored status light. Use the table below to determine the status of the pens.

Pen status light	Touch interaction	Status and related troubleshooting
<b>Normal operating states</b>		
Solid green	Full control	Pen is charged and ready to use.
Solid amber	Full control	Pen requires charging.
Flashing amber	None	Pen is charging.
Off	None	Pen is in Sleep mode. Pick up the pen and start using it to bring it out of Sleep mode.
Off	None	The pen is turned off. Turn the switch to the On position (see <i>Interactive pen components</i> on page 27 for the location of the On/Off switch).
<b>Error states</b>		
Solid red	None	A pen error was detected on startup and the pen isn't operational. <ol style="list-style-type: none"><li>1. Turn the pen off and then on again (see <i>Interactive pen components</i> on page 27 for the location of the switch).</li><li>2. Charge the pen with the USB charger (see <i>Charging the interactive pen</i> on page 28).</li><li>3. Contact <a href="http://smarttech.com/contactsupport">smarttech.com/contactsupport</a> if the issue continues.</li></ol>
Off	None	The pen battery is fully discharged. Charge the pen with the USB charger (see <i>Charging the interactive pen</i> on page 28).

## Determining curtain alignment tool (CAT) status

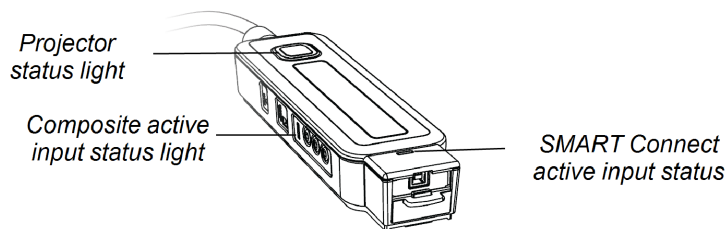
The CAT has one status light. If you're experiencing issues with the CAT, press the front side of the CAT against the surface and ensure that the status light is green. See the *LightRaise interactive projectors installation guide* ([smarttech.com/kb/170259](http://smarttech.com/kb/170259)) for more information.

Use the table below to determine the status of the CAT.



CAT status light	Status and related troubleshooting
Solid green	The CAT is on, in contact with the surface and ready to use.
Off	The CAT is turned off. Turn the switch to the On position.
Off	The battery needs to be replaced (see <i>Replacing the CAT battery</i> on page 47).
Off	Your surface isn't flat enough to activate the CAT (see <i>Choosing a surface</i> on page 7).

## Determining XCP status

The XCP has one projector status light and two active input lights.



### Projector status light

The XCP Power button  illuminates to indicate the projector status and provides the same status information as the Power button  on the projector.

See *Determining projector status* on page 60 for more information on the Power status light.


### Active input status lights

The XCP has two input status lights. The status light is illuminated next to the active input.

## Troubleshooting your SMART product with the Connection Wizard

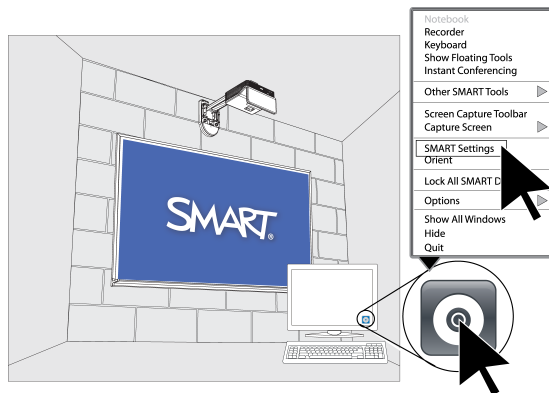
SMART Product Drivers enables you to view information about your projector and can help you troubleshoot your projector.

### To troubleshoot your SMART product with the Connection Wizard

1. Click the **SMART Board**  icon in the Windows notification area or the Mac Menu bar, and then select **SMART Settings**.

The *SMART Settings* window appears.

- If your projector is connected to your computer and working, the following text appears: *The SMART Board interactive whiteboard is working properly.*
- If your projector isn't connected to your computer, the following text appears: *No SMART Boards are connected.*



2. Select **Connection Wizard**.

#### NOTE

If the *SMART Settings* window indicates your projector is working properly, see *Troubleshooting interactive pen issues* on the next page for more information.

3. Select **LightRaise 60wi interactive projector** from the **SMART products found** drop-down list, and then click **Next**.

*LightRaise interactive projector* appears.

4. Click **Next**.
5. Click **Next** for Troubleshooting.



6. Select your troubleshooting issue from the list that appears, and then click **Next**.
7. Follow the on-screen instructions.

## Troubleshooting interactive pen issues

If you're experiencing issues with the interactive pen, you can troubleshoot the following common issues.

To resolve common interactive pen issues, complete the following tasks:

- Ensure that the pen's battery is charged and the switch on the base of the pen is turned on (see *Interactive pen components* on page 27 for the location of the On/Off switch).
- Ensure that the Touch USB cable is properly connected to your computer.
- Ensure that the current video input corresponds with the Touch setting in the OSD menu (see ).
- Ensure SMART Product Drivers are installed (see *Installing SMART Notebook software* on page 20).

## Troubleshooting finger touch issues

If you're experiencing issues with finger touch, you can troubleshoot the following common issues.

### Finger touch issues

To resolve common finger touch issues, complete the following tasks:

#### NOTE

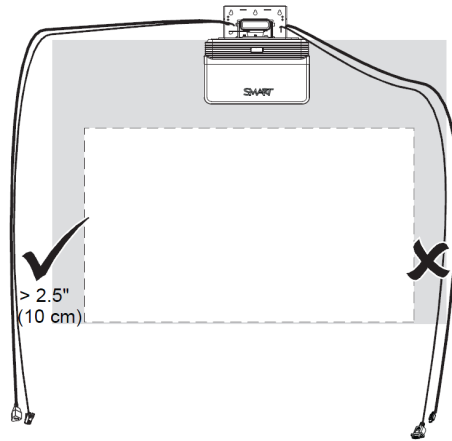
Finger touch is disabled until the alignment process is completed for the first time.

- Ensure that the TDM is properly connected and operational and that its status light is solid green or flashing green (see *Determining touch status* on page 61).
- If something is blocking the projected image and creating a shadow on the surface, the interactive pen doesn't work in the shadow area. When you write on the surface, ensure that your body doesn't create a shadow on the writing area.
- Ensure that the current video input corresponds with the Touch setting in the OSD menu (see ) and that the TDM is connected and has a solid green or flashing green status light (see *Determining touch status* on page 61).

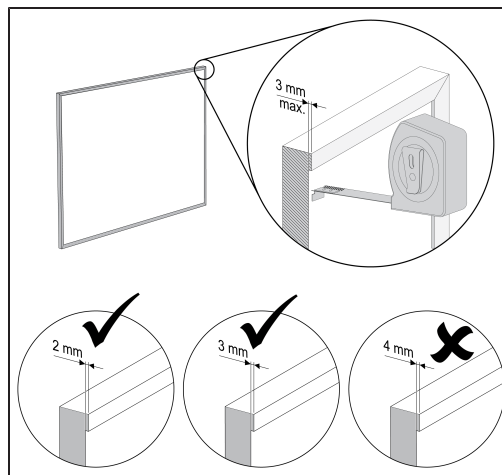
## CHAPTER 7

### Troubleshooting your projector

- Use the Connection Wizard to ensure the Pen only setting isn't selected. This setting is selected by default until the alignment process is complete during installation.
- Ensure that no objects protrude into the keep out area between the bottom of the projector mount and the projected image. Objects in this area should be moved or removed before you use your projector as they can cause parts of the projected image to lose finger touch function.




- Examples of common obstructions to watch out for include:
  - Cables or wires that hang into the projected image
  - Screws or nails protruding from the wall or the dry-erase board
  - Wall protrusions or uneven wall surfaces
  - Bezels thicker than 3 mm above the board surface



- Map rails on the wall or the dry-erase board

## Touch accuracy and alignment issues

If you're having issues with the accuracy or alignment of your finger touch or the interactive pen, try the following steps to resolve the issue:

- Use the *Connection Wizard* to check the status of your projector connection and to troubleshoot your projector (see *Troubleshooting your SMART product with the Connection Wizard* on page 64).
- Click the **SMART Board** icon , and then select **Orient** to perform an orientation.
- Ensure the surface is flat, smooth and has no obstructions in the keep-out area around the projected image. See *Choosing a surface* on page 7 or the *LightRaise interactive projectors surface evaluation guide* ([smarttech.com/kb/170402](https://smarttech.com/kb/170402)) for more information.

## Troubleshooting image issues

If you're experiencing issues with the image, you can troubleshoot the following common issues.

- Ensure the computer or other video source is on and set to display a resolution and refresh rate supported by the projector (see *Video format compatibility* on page 120). Use the projector's native resolution (1280 × 800) for the best results.
- Ensure the video source is properly connected to the projector.
- Press the Input Select button on the remote control to switch to the correct video source.

If these tasks don't resolve the issue, refer to the following sections for additional troubleshooting information.

### Loss of signal

If a video source signal is not detected, is out of range of the projector's support video modes or is being switched to a different device or input, the projector doesn't show a source signal. Instead, the projector displays the SMART logo on a blue screen or it displays the user-captured splash screen.



#### To resolve signal loss issues

1. Wait approximately 45 seconds for the image to synchronize. Some video signals require a longer synchronization period.

## CHAPTER 7

### Troubleshooting your projector

2. If the image doesn't synchronize, check the cable connections to the projector and the XCP.
3. Ensure that the image signal is compatible with the projector (see *Video format compatibility* on page 120).
4. If there are any extension cables, switch boxes, connection wall plates or other devices in the video connection from the computer to the projector, temporarily remove them to ensure they are not causing the video signal loss.
5. If your projector still doesn't show a source signal, contact your authorized SMART reseller.

## Partial, scrolling or incorrectly displayed image



### NOTE

These procedure may vary depending on your version of operating system and your system preferences.

### To resolve a partial, scrolling or incorrectly displayed image

1. Select **Start > Control Panel**.
2. Double-click **Display**.  
*The Display Properties window appears.*
3. Click the **Settings** tab.
4. Click **Advanced**, and then click the **Monitor** tab.
5. Verify that the screen refresh rate is 60 Hz.

## Unstable or flickering image

If the projector's image is unstable or flickering, the frequency or tracking settings on your input source could be different from the settings on your projector.



### IMPORTANT

Write down your setting values before adjusting any of the settings in the following procedure.

### To resolve your unstable or flickering image

1. Check the display mode of your computer's graphics card. Make sure it matches one of the projector's compatible signal formats (see *Video format compatibility* on page 120). Refer to your computer's manual for more information.

## CHAPTER 7

### Troubleshooting your projector

2. Configure the display mode of your computer's graphics card to make it compatible with the projector. Refer to your computer's manual for more information.
3. Optionally, reset the projector as described in *Accessing the service menu* on page 73 to adjust the frequency and tracking to their original values.



#### IMPORTANT

This action resets all values to their defaults.

4. If the previous steps don't resolve the flickering image, replace the projector lamp (see *Replacing the projector lamp module* on page 48).

### Unaligned projected image

Alignment errors occur when the projected image isn't perpendicular to the screen. Alignment errors can occur when you project your image on an uneven surface or a wall that has obstructions, or if you swivel the projector greater than 2" from its vertical center line as indicated in the *LightRaise interactive projector mounting template* ([smarttech.com/kb/170271](http://smarttech.com/kb/170271)).

The projector image can slip if the projector is moved often or installed in a location prone to vibration, such as next to a heavy door. Follow these precautions to help prevent the image from becoming unaligned:

- Ensure that the installation wall is plumb and square and doesn't move or vibrate excessively.
- Ensure that there are no obstructions behind the projector's wall-mounting bracket and that the bracket is firmly secured to the wall according to the installation instructions.
- Ensure that the projection surface is flat and smooth.

## Troubleshooting projector errors

System administrators can resolve the following projector errors on their own prior to contacting SMART Support. Performing initial troubleshooting on your projector will reduce the time of a support call.

### Your projector stops responding

If your projector stops responding, perform the following procedure.

#### **To restart an unresponsive projector**

1. Put the projector into Standby mode, and then wait 30 minutes for it to cool down.
2. Disconnect the power cable from the power outlet, and then wait at least 60 seconds.
3. Connect the power cable, and then turn on the projector.

### The “Projector Overheated,” “Fan Failure” or “Color Wheel Failure” message appears

If the “Projector Overheated,” “Fan Failure” or “Color Wheel Failure” message appears and the projector stops projecting an image, one of the following issues is occurring:

- The temperature outside the projector is too high.
- One of the fans has failed.
- The projector has a color wheel issue.

#### **To resolve the “Projector Overheated,” “Fan Failure” or “Color Wheel Failure” error**

1. Put the projector into Standby mode, and then wait 30 minutes for it to cool down.
2. If your room is hot, lower the temperature if possible.
3. Ensure that nothing is blocking the projector’s air intake and exhaust.
4. Disconnect the power cable from the power outlet, and then wait at least 60 seconds.
5. Connect the power cable, and then turn on the projector.
6. Check that the fans are running, and if necessary adjust the fan speed using the service menu.
7. If the previous steps don’t resolve the issue or if the issue occurs more than once, put the projector into Standby mode, disconnect the power cable, and then contact your authorized SMART reseller.

### The “Lamp Failure” message appears

If the “Lamp Failure” message appears, one of the following issues is occurring:

- The lamp is overheating, likely due to blocked air vents.
- The lamp has reached the end of its life.
- The projector has an internal problem.

### **To resolve the “Lamp Failure” error**

1. Restart the projector (see *Your projector stops responding* on the previous page).
2. Check the *Lamp Hours* setting in the OSD menu (see ). If the lamp has more than 2000 hours of use, it might be near the end of its life.
3. Replace your lamp module as described in *Replacing the projector lamp module* on page 48.
4. If replacing the lamp module doesn't resolve the issue, put the projector into Standby mode, disconnect the power cable, and then contact your authorized SMART reseller.

## The projector Power and Service lights are off

If the projector Power and Service lights are both off, one of the following issues is occurring:

- There was a power outage or a power surge.
- A circuit breaker or a safety switch was tripped.
- The projector isn't connected to the power source.
- The projector has an internal problem.

### **To resolve the unlit projector Power and Service lights issue**

1. Check the power source, and then make sure that all cables are connected.
2. Confirm that the projector is connected to an active power outlet.
3. Make sure the pins on the connectors aren't broken or bent.
4. Reconnect the power cable, and then turn on the projector.
5. If the previous steps don't resolve the issue, disconnect the power cable and then contact your authorized SMART reseller.

## Troubleshooting audio issues

If the audio isn't working, you can troubleshoot the following common issues.

### Microphone volume issues

If you're having issues with the microphone volume, check the Microphone Boost setting in the OSD menu.

### **To increase the volume of your microphone**

Turn the Microphone Boost setting **Off**.

**To decrease the volume of your microphone**

Turn the Microphone Boost setting **On**.

**Speaker static**

You might experience static noise from your speakers if the microphone cable is routed too close to the other cables.

Static noise can be caused by other video and audio source devices and their connection cables. Isolate these devices and test to see if they are the cause of static noise

**Troubleshooting XCP issues**

If you're experiencing issues with the XCP, you can troubleshoot the following common issues.

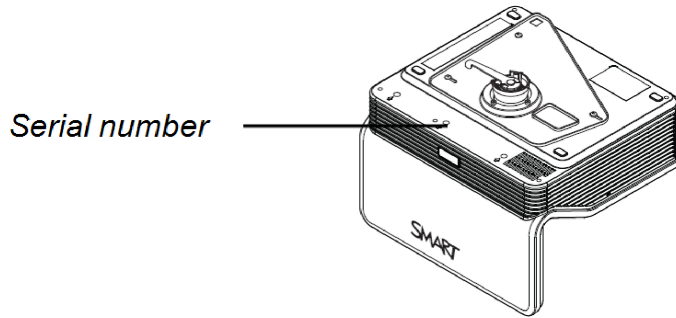
Issue	Related troubleshooting
There's no video signal when you're using a USB cable.	<ul style="list-style-type: none"> <li>• Ensure that the DisplayLink drivers are installed on your computer.</li> <li>• Ensure that the XCP is properly connected to the projector (see <i>Connecting the XCP to the projector</i> on page 32).</li> <li>• Ensure that the USB cable isn't damaged.</li> </ul>
The XCP doesn't respond to touch inputs.	<ul style="list-style-type: none"> <li>• Ensure that all cable connections are secure.</li> <li>• Disconnect and connect all of the cables.</li> </ul>
The XCP doesn't respond to input selection.	<ul style="list-style-type: none"> <li>• Ensure that all input cable connections are secure.</li> <li>• Disconnect and connect all of the cables.</li> </ul>



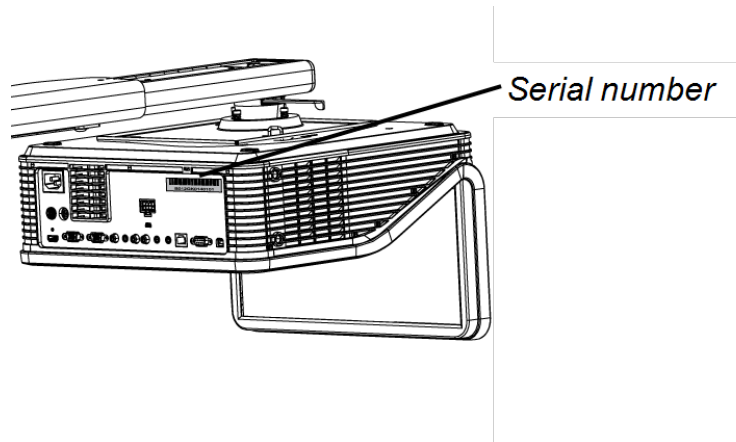
## Locating the serial number

The serial number identifies your interactive projector and helps SMART Support troubleshoot issues. The serial number is on top of the projector in the location shown below:

### SLR60wi serial number location



### SLR60wi2 serial number location



## Accessing the service menu

### CAUTION

- To prevent tampering or unintentional changes, only system administrators should access the service menu. Do not share the service menu access code with casual users of your projector.
- Do not adjust any settings in the service menu other than those listed in this guide. Changing other settings can damage or affect the operation of your projector and may invalidate your warranty.

## CHAPTER 7

Troubleshooting your projector

### Retrieving your password

If you forget the projector's password, you can retrieve it by accessing the projector service menu directly from the projector or from the password settings menu on your projector's web page (see *Password settings* on page 79).

#### To retrieve your password from the service menu

1. Using the remote control, press the following buttons quickly to access the service menu:  
**Down, Up, Up, Left, Up.**
2. Scroll to *Password Get*, and then press **Enter** on the remote control.  
The password appears on the screen.
3. Write down the password.
4. Scroll to *Exit*, and then press **Enter** on the remote control to exit the projector service menu.

### Resetting the projector

At some point during troubleshooting, you might need to reset all projector settings.



#### **IMPORTANT**

This action is irreversible.

#### To reset all projector settings

1. Using the remote control, press the following buttons quickly to access the service menu:  
**Down, Up, Up, Left, Up.**
2. Scroll to *Factory Reset*, and then press **Enter** on the remote control.
3. Scroll to *Exit*, and then press **Enter** on the remote control to exit the projector service menu.

# Appendix A

## Remotely managing your projector

Accessing web page management .....	75
Home .....	76
Control panel .....	76
Network settings .....	77
E-mail alerts .....	79
Password settings .....	79
Simple Network Management Protocol (SNMP) .....	80

---

This chapter describes how to manage your projector from a remote location.

### Accessing web page management

Before you can access the remote management web page, you must connect a network cable to your projector and enable the network functions in the on-screen display (OSD) menu (see ).



#### NOTE

You can view the projector's IP address by accessing the projector's Network Settings menu (see *Network settings* on page 77).

#### To use the management web page

1. Start your Internet browser.
2. Type the projector's network IP address in the address bar, and then press ENTER.

The *LightRaise Projector Settings* window appears.

3. Select the menu options in the left pane to access the settings on each page.
4. Modify settings using your computer's mouse and keyboard, and then click **Submit** or another action button next to each setting you change.

## Home

The Home menu displays basic projector information and enables you to select the OSD language.



### NOTE

You can view basic projector information but you're unable to change it (with the exception of the OSD language) from the Home menu.

Submenu setting	Description
Language	Displays language options
Projector Information	Displays current projector information


## Control panel

This menu enables you to manage the projector audio and video status, alerts and appearances using an Internet browser.

Submenu setting	Description
Power	Turns the projector on or puts it into Standby mode. Select the <b>Power ON</b> or <b>Power OFF</b> button.
Restore All Projector Defaults	<p>Returns projector settings to default values or refreshes the current settings. Select <b>Submit</b> or <b>Refresh</b>.</p> <div data-bbox="695 1182 735 1220" data-label="Image"> </div> <p><b>IMPORTANT</b></p> <p>The <b>Submit</b> option is irreversible, resets all values and turns off network communication features.</p>
Closed Captioning	<p>Turns off the closed captioning feature or sets the closed captioning language to <b>CC1</b> or <b>CC2</b>.</p> <p>Typically, <b>CC1</b> displays U.S. English subtitles, while <b>CC2</b> displays other regional languages, such as French or Spanish, depending on television channel or media setup.</p>
Auto Signal Detect	<p>Enables or disables signal searching of input connectors.</p> <ul style="list-style-type: none"> <li>• Select <b>On</b> to have the projector continuously switch inputs until it finds an active video source.</li> <li>• Select <b>Off</b> to maintain signal detection in one input.</li> </ul>
Lamp Reminder	Select <b>On</b> to show or <b>Off</b> to hide the lamp replacement reminder when it appears. This reminder appears 100 hours before the recommended lamp replacement.

## APPENDIX A

### Remotely managing your projector

Submenu setting	Description
Lamp Mode	Adjusts lamp brightness to <b>Standard</b> or <b>Economy</b> . <b>Standard</b> displays a high-quality, bright image. <b>Economy</b> increases the lamp life by decreasing the brightness of the image.
Auto Power Off	Sets the length of the auto power off countdown timer between 1 and 240 minutes. The timer begins to count down when the projector no longer receives a video signal. The timer finishes when the projector enters Standby mode. Select <b>0</b> to turn off the timer.
High Speed Fan	Adjusts the speed of the projector's fan. Select <b>Normal</b> or <b>High</b> .  <b>NOTE</b> Use the High setting when the projector's temperature is high or the altitude is above 6000' (1800 m).
VGA1	Assigns an alternative name to your VGA 1 input, which appears when you select the VGA 1 input.
HDMI	Assigns an alternative name to your HDMI input, which appears when you select the HDMI input.
Composite	Assigns an alternative name to your Composite video input, which appears when you select the Composite video input.
Emergency Alert	Turns the on-screen alert broadcast message on or off. When enabled, this message displays over the current projected image.
Alarm Message	Displays an on-screen emergency notification message (maximum 60 characters).



## Network settings

This menu allows you to use or not use Dynamic Host Control Protocol (DHCP) and to set the network-related addresses and names when DHCP is not used.

Submenu setting	Description
DHCP	Determines if the projector's IP address and other network settings are dynamically assigned by a DHCP server or manually set. <ul style="list-style-type: none"><li>• <b>On</b> allows the network's DHCP server to assign a dynamic IP address to the projector.</li><li>• <b>Off</b> allows you to manually set the projector's IP address and other network settings.</li></ul>
IP Address	Displays or allows you to set the projector's IP address in values between 0.0.0.0 and 255.255.255.255.
Subnet Mask	Displays or allows you to set the projector's subnet mask number in values between 0.0.0.0 and 255.255.255.255.


## APPENDIX A

### Remotely managing your projector

Submenu setting	Description
Gateway	Displays or allows you to set the projector's default network gateway in values between 0.0.0.0 and 255.255.255.255.
DNS	Displays or allows you to set the projector's IP address for your network's primary domain name server in values between 0.0.0.0 and 255.255.255.255.
Group Name	Displays or allows you to set the projector's workgroup name (maximum 12 characters).
Projector Name	Displays or allows you to set the projector's name (maximum 12 characters).
Location	Displays or allows you to set the projector's location (maximum 16 characters).
Contact	Displays or allows you to set the contact name or number for projector support (maximum 16 characters).
SNMP	Turns the Simple Network Management Protocol (SNMP) agent on or off.
Read-Only Community	Sets a password that is required for each SNMP get request to the device.  <b>NOTE</b> The default password for Read-Only Community is <b>Public</b> .
Read/Write Community	Sets a password that is required for each SNMP set request to the device.  <b>NOTE</b> The default for Read/Write Community is <b>Public</b> .
Trap Destination Address	Displays or allows you to set the IP address of your network's SNMP TRAP manager in values between 0.0.0.0 and 255.255.255.255. The trap destination address is the IP address of the computer assigned to handle unsolicited data generated by SNMP TRAP events generated by the projector, such as power state changes, projector failure modes, a lamp needing to be replaced or other issues.

## E-mail alerts

This menu enables you to enter your preferred address for receiving e-mail alerts and adjust related settings.

Submenu setting	Description
E-mail Alert	Selects <b>Enable</b> to turn on or <b>Disable</b> to turn off the E-mail Alert function.
To	Displays or allows you to set the e-mail address of the e-mail alert recipient.
CC	Displays or allows you to set the e-mail address of the e-mail alert “copy to” recipient.
From	Displays or allows you to set the e-mail address of the user who sends the e-mail alert.
Subject	Displays or allows you to set the e-mail alert subject.
Outgoing SMTP server	Displays or allows you to set the Simple Mail Transfer Protocol (SMTP) server that you use on your network.
Username	Displays or allows you to set the SMTP server user name.
Password	Displays or allows you to set the SMTP server password.
Alert Condition	<p>Sends e-mail alerts whenever <b>Lamp Warning</b>, <b>Low Lamp Life</b>, <b>Temperature Warning</b> and <b>Fan Lock</b> conditions occur. Select the settings you want, and then click <b>Submit</b>.</p> <div style="background-color: #f0f0f0; padding: 10px;"> <p> <b>NOTE</b></p> <p>The projector sends an alert e-mail (SMART Alert) to your e-mail address. Click <b>E-mail Alert Test</b> to confirm that your e-mail address and SMTP server settings are correct by sending a test e-mail (SMART Alert-Test Mail).</p> <p>If the settings are not correct, the e-mail alert messages aren't sent or received successfully and no warning or notification message are available to advise of this state.</p> </div>

## Password settings

This menu provides a security function that allows an administrator to manage projector use and enable the Administrator Password function.

Submenu setting	Description
Password	When the password function is enabled, the administrator password is required to access Web Management. Select <b>Disable</b> to allow remote web management of the projector without requiring a password.

## APPENDIX A

Remotely managing your projector



### NOTES

- The first time you enable the password settings, the default password value is four numbers, for example, 1234.
- The maximum allowable password length is four numbers or letters.
- If you forget the projector password, refer to *Accessing the service menu* on page 73 to set the projector setting to factory defaults.

## Simple Network Management Protocol (SNMP)

Your projector supports a list of SNMP commands as described in the management information base (MIB) file. You can download this file by browsing to [smarttech.com/software](http://smarttech.com/software) and clicking the MIB files link in the *Hardware* section for the LightRaise interactive projector. The SNMP agent supports SNMP version 1. Upload the MIB file to your SNMP management system application, and then use it as described in your application's user guide.



## Appendix B

# Connecting your room control system to your projector

Serial interface settings .....	81
Command inventory .....	83
Value-based command methods .....	84
Absolute values and adjustment values .....	84
Video source specification values .....	84
Power state controls .....	85
Source selection controls .....	86
General source controls .....	87
Additional VGA source controls .....	88
Audio controls .....	89
Network controls .....	90
System controls .....	91

---

By connecting a computer or room control system to the DB9 room control serial interface of your projector, you can select video inputs, start or shut down your projector and request information such as projector lamp use, current settings and network addresses.

This chapter documents the projector programming commands.

## Serial interface settings

The projector communicates over an RS232 interface and the wiring is as per the RS232 standard on pins 2,3, and 5.

### **IMPORTANT**

There is a 9V signal active on Pin 9 when the control panel power is turned on in the on-screen display (OSD) menu and should never be wired to use anything other than SMART approved control panels.

## APPENDIX B

Connecting your room control system to your projector

The serial interface of the projector acts as a Data Communications Equipment (DCE) device and its settings can't be configured. You must configure your computer's serial communication program (such as Microsoft® HyperTerminal) or your room control system's serial communication settings with the following values:

Setting	Value
Baud rate	19200
Data length	8
Parity bit	None
Stop bit	1



### NOTES

- Asynchronous mode is disabled by default in the projector.
- Remote echo is not enabled on the serial connection.
- All commands should be in ASCII format. Terminate all commands with a carriage return.
- All responses from the projector are terminated with a command prompt. Wait until you receive the command prompt indicating that the system is ready for another command before you proceed.
- The room control feature of the projector is always on.

### To configure your computer's serial interface

1. Turn on your computer, and then start your serial communications program or terminal emulation program.
2. Connect your computer to the serial connection cable you previously connected to the projector.
3. Configure your serial interface settings using the values from the table in the previous section, and then press **ENTER**.

An "invalid cmd= ? for help" message appears, and the > character appears as a command prompt on the following line.



### NOTE

If no message or an error message appears, your serial interface configuration isn't correct. Repeat step 3.

## APPENDIX B

Connecting your room control system to your projector

### 4. Type commands to configure your settings.



#### NOTES

- To see a list of commands available in the current operating mode, type ? and then press ENTER.
- If you're using a terminal emulation program, turn on your program's local echo setting to see characters as you type them.

## Command inventory

Your projector responds to the commands in the tables on the following pages. To see a list of valid commands in the projector's current power state, type ? and press ENTER.



#### IMPORTANT

- When entering commands, ensure there is a 10 millisecond delay between characters for reliable operation.
- Type commands exactly as they appear in the left column of the tables, with the proper value or setting in the center column.



#### NOTES

- Send a command only after the projector sends a command prompt.
- Commands aren't case sensitive.
- Check your entries carefully before entering your commands.
- Press ENTER after typing each command.
- After the projector executes a command, it generates a response.
- In standby mode, only the "Power on" message is available.

## APPENDIX B

Connecting your room control system to your projector

# Value-based command methods

## Absolute values and adjustment values

You can use the command's target range to set an absolute value for a command or cause an adjustment to be made to the current value. To create an adjustment command, add a plus (+) or minus (-) symbol instead of the equal symbol (=) before the value change you want to enter. All absolute values you enter must be within the command target range, and all adjustment values must equal a number within the command target range.

See the following examples for adjusting projector brightness of the current source.

```
>get brightness  
brightness=55
```

```
>set brightness=65  
brightness=65
```

```
>set brightness+5  
brightness=70
```

```
>set brightness-15  
brightness=55
```

## Video source specification values

You can use the source input field described in *Source selection controls* on page 86 in a command to set an absolute value or adjustment value to a source other than the active source. You can do this while the selected source is inactive, but the source device must be connected or you will receive an invalid command response.

The operational parameters are:

- **VGA1**
- **Composite**
- **HDMI**

## APPENDIX B

Connecting your room control system to your projector

See the following examples for adjusting projector brightness of VGA1, regardless whether it's the current source:

```
>set brightness vga1=65  
brightness vga1=65
```

```
>set brightness vga1-7  
brightness vga1=58
```

## Power state controls

These commands put the projector in and out of Standby mode and request the projector's current power state. The projector's power state determines whether certain commands are available at that time. These settings are available even when the projector is in Standby mode.

Command	Response
on	powerstate=[field]
off	powerstate=[field]
off now	powerstate=[field]
get powerstate	powerstate=[field]

The following table describes the power state commands.

Command	Description
on	Turns on the projector.
off	Starts the shutdown process. A dialog box appears on the projected image with the message, "Press Power Button to Turn off Projector." You must send a second <b>Off</b> command within 10 seconds to put the projector into Standby mode.
off now	Shuts down the projector immediately after going through a cooling state. You can't delay or cancel this command.
get powerstate	Indicates the projector's current power state.

The following table describes the power state fields.

Field	Description
Powering	The projector is turning on.
On	The projector is on.

## APPENDIX B

Connecting your room control system to your projector

Field	Description
Cooling	The projector is cooling.
Confirm off	<b>Confirm off</b> is a non-selectable power state that is returned during stage one of the two-button <b>Off</b> sequence.
Idle	The projector is off but still receiving power (Standby mode).

## Source selection controls

You can use source selection controls to switch input sources. The source type selected determines which commands can be accepted.

The following commands inform you of the current source selection settings:

Command	Response	Available in Standby mode
get input	input=[current selected projector source input]	Yes
get videoinputs	videoinputs=[list of available projector source inputs]	Yes

The following command controls the source selection settings.

Command	Command target range	Response
set input [target]	=vga1 =Composite =HDMI =Next =None	input=[target]

The following table describes the source selection response fields.

Field	Description
VGA1	Switches source to the VGA 1 input connector.
Composite	Switches source to the Composite video connector.
HDMI	Switches source to the HDMI input port.
Next	Switches the input to the next possible source.
None	A non-selectable value that appears when you enter a “get input” command while the projector is in Standby mode.

## APPENDIX B

Connecting your room control system to your projector

# General source controls

The following source controls apply to all input sources. These controls are unavailable when the projector is in Standby mode. You can specify custom color values for all inputs.

These commands inform you of the current source settings.

Command	Response
get displaymode	displaymode=[current display mode setting]
get brightness	brightness=[current brightness setting]
get contrast	contrast=[current contrast setting]
get saturation	saturation=[current saturation setting]
get tint	tint=[current tint setting]
get sharpness	sharpness=[current sharpness setting]
get whitepeaking	whitepeaking=[current whitepeaking setting]
get degamma	degamma=[current degamma setting]
get red	red=[current red color setting]
get green	green=[current green color setting]
get blue	blue=[current blue color setting]
get cyan	cyan=[current cyan color setting]
get magenta	magenta=[current magenta color setting]
get yellow	yellow=[current yellow color setting]
get videofreeze	videofreeze=[current video freeze setting]
get videomute	videomute=[current video mute setting]
get displayhide	displayhide=[current state of the Hide button on the remote control]

These commands control the appearance of your source. These settings are unavailable when the projector is in Standby mode or when the source is disconnected. See *Value-based command methods* on page 84 for setting absolute and adjustment commands.

Command	Command target range	Response
set displaymode [target]	=SMART Presentation =Bright Classroom =Dark Classroom =sRGB =White Board =Wall Color =User	displaymode=[target]

## APPENDIX B

Connecting your room control system to your projector

Command	Command target range	Response
set brightness [value]	=0 to =100	brightness=[value]
set contrast [value]	=0 to =100	contrast=[value]
set saturation [value]	=0 to =100	saturation=[value]
set tint [value]	=0 to =100	tint=[value]
set sharpness [value]	=0 to =31	sharpness=[value]
set whitepeaking [value]	=0 to =10	whitepeaking=[value]
set degamma [value]	=0 to =3	degamma=[value]
set red [value]	=0 to =100	red=[value]
set green [value]	=0 to =100	green=[value]
set blue [value]	=0 to =100	blue=[value]
set cyan [value]	=0 to =100	cyan=[value]
set magenta [value]	=0 to =100	magenta=[value]
set yellow [value]	=0 to =100	yellow=[value]
set videofreeze [target]	=on =off	videofreeze=[target]
set videomute [target]	=on =off	videomute=[target]
set displayhide [target]	=normal =frozen =muted =next	displayhide=[target]

## Additional VGA source controls

Your VGA source supports all the general source controls described in *General source controls* on the previous page, as well as the commands listed in this section. These settings are unavailable when the projector is in Standby mode or when the VGA sources are disconnected.

### NOTE

Some of these commands are invalid with HDMI input and Composite video sources, and will return the response “invalidcmd=[command]”.



## APPENDIX B

Connecting your room control system to your projector

These commands inform you of the current VGA source settings.

Command	Response
get frequency	frequency=[current frequency offset setting]
get tracking	tracking=[current tracking offset setting]

These commands control the appearance of your VGA source. These settings are unavailable when the projector is in Standby mode or when the VGA source is disconnected. See *Value-based command methods* on page 84 for setting absolute and adjustment commands.

Command	Command target range	Response
set frequency [value]	=-5 to =5	frequency=[value]
set tracking [value]	=0 to =63	tracking=[value]

## Audio controls

These commands control your projector's internal audio amplifier, which affects sound passed through the projector to your external audio system (not included). Audio output controls aren't defined by the video source. These settings are unavailable when the projector is in Standby mode.

These commands inform you of the current audio output settings.

Command	Response
get volume	volume=[current volume setting]
get micvolume	micvolume=[current microphone volume setting]
get mute	mute=[current mute setting]
get volumecontrol	volumecontrol=[current volume control setting]
get cc	cc=[current closed caption setting]
get lineoutenable	lineoutenable=[current state of line out]
get micenable	micenable=[current state of microphone]
get speakerenable	speakerenable=[current state of the built-in speakers]
get micboostenable	micboostenable=[current state of the microphone boost]

These commands control your projector's audio amplifier settings. See *Value-based command methods* on page 84 for setting absolute and adjustment commands.

Command	Command target range	Response
set volume [target]	=0 to =40	volume=[value]

## APPENDIX B

Connecting your room control system to your projector

Command	Command target range	Response
set micvolume [target]	=0 to =40	micvolume=[target]
set mute [target]	=on =off	mute=[target]
set volumecontrol [target]	=on =off	volumecontrol=[target]
set cc [target]	=cc1 =cc2	cc=[target]
set lineoutenable [target]	=on =off	lineoutenable=[target]
set micenable [target]	=on =off	micenable=[target]
set speakerenable [target]	=on =off	speakerenable=[target]
set microboostenable	=on =off	microboostenable=[target]



### NOTE

Typically, **cc1** displays U.S. English subtitles, while **cc2** displays other regional languages, such as French or Spanish, depending on television channel or media setup.

## Network controls

These commands control your projector's network status and settings. These settings are located in the OSD menu, and are available even when the projector is in Standby mode. You must locally set the network commands to on for the network abilities to work

These commands inform you of the current network settings.

Command	Response
get netstatus	netstatus=connected netstatus=disconnected netstatus=disabled
get network	network=[current VGA and network outputs status]
get dhcp	dhcp=[current DHCP status]
get ipaddr	ipaddr=[current IP address]
get subnetmask	subnetmask=[current subnet mask number]

## APPENDIX B

Connecting your room control system to your projector

Command	Response
get gateway	gateway=[current network gateway]
get primarydns	primarydns=[current primary domain server]
get macaddr	macaddr=[current MAC address]

These commands control your network settings.

Command	Command target range	Response
set network [target]	=on =off	network=[current]
set dhcp [target]	=on =off	dhcp=[current]
set ipaddr [target]	=0.0.0.0 to =255.255.255.255	ipaddr=[current]
set subnetmask [target]	=0.0.0.0 to =255.255.255.255	subnetmask=[current]
set gateway [target]	=0.0.0.0 to =255.255.255.255	gateway=[current]
set primarydns [target]	=0.0.0.0 to =255.255.255.255	primarydns=[current]

## System controls

These commands enable you to switch system settings and access system information.

These commands inform you of the current system settings. These commands are unavailable when the projector is in Standby mode.

Command	Response
get cppower	cppower=[current XCP power setting]
get autosignal	autosignal=[current auto signal detection setting]
get lampreminder	lampreminder=[current lamp reminder setting]
get highbrightness	highbrightness=[current lamp brightness setting]
get autopoweroff	autopoweroff=[current auto power off setting]
get zoom	zoom=[current zoom setting]
get projectorid	projectorid=[current projector ID number]
get hposition	hposition=[current horizontal position offset setting]
get vposition	vposition=[current vertical position offset setting]
get aspectratio	aspectratio=[current projector aspect ratio]
get projectionmode	projectionmode=[current projection mode]

## APPENDIX B

Connecting your room control system to your projector

Command	Response
get startupscreen	startupscreen=[current startup screen setting]
get resolution	resolution=[current input resolution]
get language	language=[current language setting]
get groupname	groupname=[current projector group name]
get projectomame	projectomame=[current projector name]
get locationinfo	locationinfo=[current projector location]
get contactinfo	contactinfo=[current support contact information]
get modelnum	modelnum=[current model number]
get serialnum	serialnum=[serial number]
get emergencyalertmsg	emergencyalertmsg=[current emergency alert message]
get emergencyalert	emergencyalert=[current emergency alert setting]

These commands inform you of the current system settings. These commands are available even when the projector is in Standby mode.

Command	Response
get lamphrs	lamphrs=[current lamp hours of operation]
get syshrs	syshrs=[current projector hours of operation]
get fwvertouch	fwvertouch=[current touch detection module firmware]
get fwverddp	fwverddp=[current projector firmware version]
get fwvemet	fwvemet=[current network firmware version]
get fwvermpu	fwvermpu=[current processor firmware version]
get signaldetected	signaldetected=[true or false]

These commands control the current system settings. These commands are unavailable when the projector is in Standby mode. See *Value-based command methods* on page 84 for setting absolute and adjustment commands.

Command	Command target range	Response
set cppower [target]	=on =off	cppower=[target]
set autosignal [target]	=on =off	autosignal=[target]
set lampreminder [target]	=on =off	lampreminder=[target]

## APPENDIX B

Connecting your room control system to your projector

Command	Command target range	Response
set highbrightness [target]	=on =off	highbrightness=[target]
set autopoweroff [value]	=0 to =240	autopoweroff=[value]
set zoom [value]	=0 to =30	zoom=[value]
set projectorid [value]	=0 to =99	projectorid=[value]
set hposition [value]	=0 to =100	hposition=[value]
set vposition [value]	=-5 to =5	vposition=[value]
set aspectratio [target]	=fill =match =16:9	aspectratio=[target]
set projectionmode [target]	=front =ceiling =rear =rear ceiling	projectionmode=[target]
set startupscreen [target]	=smart =usercapture =preview	startupscreen=[target]

## APPENDIX B

Connecting your room control system to your projector

Command	Command target range	Response
set language [target]	=English =Arabic =Chinese (Traditional) (SLR60wi2 only) =Chinese (Simplified) =Danish (SLR60wi2 only) =Dutch (Netherlands) (SLR60wi2 only) =English (UK) (SLR60wi only) =Czech =Finnish (SLR60wi2 only) =French (SLR60wi2 only) =German =Greek =Spanish (Spain) =Spanish (Mexico) (SLR60wi only) =French (France) =Hungarian (SLR60wi only) =Indian (SLR60wi2 only) =Italian =Japanese =Korean (SLR60wi2 only) =Malay (SLR60wi only) =Norwegian (SLR60wi2 only) =Polish =Portuguese (Brazil) =Portuguese (Portugal) =Russian =Slovenian (SLR60wi only) =Swedish (SLR60wi2 only) =Turkey (SLR60wi only) =Ukrainian (SLR60wi only)	language=[target]
set groupname [description]	Enter a descriptor no more than 12 characters long.	groupname=[description]
set projectormame [description]	Enter a descriptor no more than 12 characters long.	projectormame=[description]

## APPENDIX B

Connecting your room control system to your projector

Command	Command target range	Response
set locationinfo [description]	Enter a descriptor no more than 16 characters long.	locationinfo=[description]
set contactinfo [description]	Enter a descriptor no more than 16 characters long.	contactinfo=[description]
set emergencyalertmsg [description]	Enter a descriptor no more than 60 characters long	emergencyalertmsg=[description]
set emergencyalert [target]	=on =off	emergencyalert=[target]

These commands control the current system settings. These commands are available when the projector is in Standby mode and when it is on.

Command	Command target range	Response
set restoredefaults	[none]	restoredefaults=done
set lamphrs [target]	=0	lamphrs=0



### NOTE

The **Network** and **VGA Out** setting's features are off by default. Select **On** to activate these features.





# Adjusting the interactive projector settings

Adjusting SLR60wi interactive projector settings ..... 97  
 Adjusting SLR60wi2 interactive projector settings ..... 107

The remote control's Menu button enables you to access the on-screen display to adjust the projector settings.

 **IMPORTANT**

There are no projector menu options on the XCP. Keep your remote control in a safe place because the XCP is not a substitute for the remote control.

## Adjusting SLR60wi interactive projector settings

The remote control's **Menu** button enables you to access the on-screen display (OSD) menu to adjust the projector settings.

 **IMPORTANT**

There are no projector menu options on the XCP. Keep your remote control in a safe place, such as the pen holder, because the XCP is not a substitute for the remote control.



 **NOTE**

Some projector settings aren't available for all video sources.

Setting	Use	Notes
<b>Image Adjustment menu</b>		
Display Mode	Indicates the interactive projector's display output ( <b>Bright Classroom</b> , <b>Dark Classroom</b> , <b>sRGB White</b> , <b>Wall Color</b> , <b>SMART Presentation</b> and <b>User</b> ).	The default is <b>Bright Classroom</b> .



## APPENDIX C

### Adjusting the interactive projector settings

Setting	Use	Notes
Wall Color (displays the color's numeric value)	Adjusts projector brightness and color temperature based on these wall colors: Color 1: <b>Blackboard</b> Color 2: <b>Blue</b> Color 3: <b>Light Green</b> Color 4: <b>Pink</b> Color 5: <b>Light Yellow</b>	The default is <b>Blackboard</b> .   <b>NOTE</b> This is equivalent to a whiteboard.
Keystone	Adjusts image keystone distortions caused by movement of the projector.	The default is <b>0</b> . The keystone can be adjusted from -15 to 15.   <b>IMPORTANT</b> Use this setting only after you make all physical image alignment adjustments to straighten the vertical lines of the image.
Brightness	Adjusts projector brightness from 0 to 100.	The default is <b>50</b> .
Contrast	Adjusts the difference between the lightest and darkest parts of the image from 0 to 100.	The default is <b>50</b> .
Saturation	Adjusts the image from black and white to saturated color from 0 to 100.	The default is <b>50</b> .
Sharpness	Adjusts projected image sharpness from 0 to 31.	The default is <b>16</b> .
Tint	Adjusts the image color balance of red and green from 0 to 100.	The default is <b>50</b> .
Frequency	Adjusts the display data frequency of the projected image from -5 to 5 to match the frequency of your computer's graphics card.	The default is <b>0</b> . This setting applies to VGA inputs only.
Tracking	Synchronizes your projector's display timing with your computer's graphics card from 0 to 63.	This setting applies to VGA inputs only.

## APPENDIX C

### Adjusting the interactive projector settings

Setting	Use	Notes
H-Position	Moves the horizontal position of the source video left or right from 0 to 100 (relative to the projected image).	<p>The default is <b>50</b>. This setting applies to VGA inputs only and is useful in situations where the source video is cut off.</p> <p> <b>IMPORTANT</b></p> <ul style="list-style-type: none"> <li>Do not adjust this setting unless advised to by SMART Support.</li> <li>Adjust this setting only after you make all physical image adjustments.</li> </ul>
V-Position	Moves the vertical position of the source video up or down from -5 to 5 (relative to the projected image).	<p>The default is <b>0</b>. This setting applies to VGA inputs only and is useful in situations where the source video is cut off.</p> <p> <b>IMPORTANT</b></p> <ul style="list-style-type: none"> <li>Do not adjust this setting unless advised to by SMART Support.</li> <li>Adjust this setting only after you make all physical image adjustments.</li> </ul>
White Peaking	Adjusts the image color brightness while providing more vibrant colors, in increments from 0 to 10.	<p>The default is <b>10</b>. A value closer to 0 creates a natural image and a value closer to 10 creates an enhanced brightness.</p>
Degamma	Adjusts the color performance of the display from 1 to 2 or from 0 to 3 depending on the display mode selected.	The default varies depending on the display mode.
Color Adjustment	Opens a sub-menu where you can adjust the projector's Red, Green, Blue, Cyan, Magenta and Yellow colors from 0 to 100.	<p>Each color has a default value of 100. Color settings are saved to the <b>User</b> display mode.</p>

## APPENDIX C

Adjusting the interactive projector settings

Setting	Use	Notes
<b>Basic Audio Control menu</b>		
Line Out	Turns the audio output jack <b>On</b> or <b>Off</b> .	The default is <b>On</b> .
Microphone	Turns the microphone input jack <b>On</b> or <b>Off</b> .	The default is <b>On</b> .
Speaker	Turns the internal speaker <b>On</b> or <b>Off</b> .	The default is <b>On</b> .
Microphone Volume	Adjusts the projector's microphone volume amplification from 0 to 40.	The default is <b>20</b> .
Main Volume	Adjusts the volume from 0 to 40.	The default is <b>20</b> .
Mute	Turns the projector's audio output mute function <b>On</b> or <b>Off</b> .	The default is <b>Off</b> . If you mute the projector's audio output and then increase or decrease the volume, the volume is restored automatically. You can prevent this from happening by disabling the <i>Line Out</i> above.
Advanced	Opens the <b>Advanced Audio</b> sub-menu where you can enable and disable the microphone input and the speaker output for each display mode. Further details in the following rows.	
<b>Advanced Audio sub-menu</b>		
VGA1 Mic	Enables or disables the microphone input jack when using the VGA1 input.	
VGA1 Speaker	Enables or disables the audio output jack when using the VGA1 input.	
HDMI Mic	Enables or disables the microphone input jack when using the HDMI input.	
HDMI Speaker	Enables or disables the audio output jack when using the HDMI input.	
Composite Mic	Enables or disables the microphone input jack when using the Composite input.	



## APPENDIX C

Adjusting the interactive projector settings

Setting	Use	Notes
Composite Speaker	Enables or disables the Composite input to the internal speaker.	
Microphone Boost	Boost is applied in the <b>Off</b> setting.	The default is <b>On</b> (-20 dB). Keep this setting on if your microphone is too sensitive. Change the setting to <b>Off</b> if you want to apply Microphone Boost.
Exit	Closes the <b>Advanced Audio</b> sub-menu.	
<b>Operational Settings menu</b>		
Control Panel	Applies power to the DIN7, DIN4 and DB9 ports for XCP control panel power.	The default is <b>Off</b> .
Signal Detect	Enables or disables signal searching of input connectors.	The default is <b>On</b> . Select <b>On</b> to have the projector continuously switch inputs until it finds an active video source. Select <b>Off</b> to manually select the input source.
Lamp Reminder	Turns the lamp replacement reminder <b>On</b> or <b>Off</b> .	The default is <b>On</b> . This reminder appears 100 hours before the recommended lamp replacement.
Lamp Mode	Adjusts lamp brightness to <b>Standard</b> or <b>Economy</b> .	The default is <b>Standard</b> , which displays a high-quality, bright image. <b>Economy</b> increases the lamp life by decreasing the brightness of the image.
Closed Captioning	Turns on the closed captioning language to <b>CC1</b> or <b>CC2</b> for video sources that support closed captioning, or turns closed captioning <b>Off</b> .	The default is <b>Off</b> . Typically, <b>CC1</b> displays U.S. English subtitles, while <b>CC2</b> displays other regional languages, such as French or Spanish, depending on the television channel or media setup.

## APPENDIX C

### Adjusting the interactive projector settings

Setting	Use	Notes
Touch	Enables touch and pen interaction on either <b>VGA1</b> , <b>HDMI</b> or <b>VGA1 &amp; HDMI</b> .	<p>The default is <b>VGA1 &amp; HDMI</b>. Only change this setting if you want touch and pen interaction active on only one video source (VGA or HDMI).</p> <p> <b>IMPORTANT</b></p> <p>This setting must match the current video input or there will be no touch function.</p>
Auto Power Off (minutes)	Sets the length of the auto power-off countdown timer between 1 and 240 minutes.	<p>The default is <b>120</b> minutes. The timer begins to count down when the projector no longer receives a video signal. When the timer finishes, the projector enters Standby mode. Select <b>0</b> to turn off the timer.</p>
Zoom	Adjusts the zoom to the center of the image in or out from 0 to 30.	<p>The default is <b>0</b>. Zooming in cuts off the outer edges of the source video.</p> <p> <b>IMPORTANT</b></p> <p>SMART recommends you leave Zoom at the default setting of 0. Adjusting this setting can affect touch function.</p>
Projector ID	Displays the projector's unique ID within your organization's network. You can set the projector ID from 0 to 999.	<p>The default is <b>0</b>. You can refer to this number when using the network remote management feature (see <i>Remotely managing your projector</i> on page 75).</p>

## APPENDIX C

Adjusting the interactive projector settings

Setting	Use	Notes
Aspect Ratio	Adjusts the image output to <b>Fill Screen</b> , <b>Match Input</b> or <b>16:9</b> .	<p>The default is <b>Match Input</b>.</p> <p><b>Fill Screen</b> produces an image that fills the entire screen by stretching and scaling the source video to match the projector's native aspect ratio.</p> <p><b>Match Input</b> scales to fill the space at the native aspect ratio. As a result, unused space could appear along the top and bottom edges of the screen (letterbox format) or along the left and right edges of the screen (pillarbox format).</p> <p><b>16:9</b> displays the source video in 16:9 aspect ratio. As a result, unused space appears along the top and bottom edges of the screen. This is recommended for use with HDTV and DVD/Blu-ray™ discs enhanced for wide-screen televisions.</p> <p>See <i>Video format compatibility</i> on page 120 for descriptions of each mode.</p>

**APPENDIX C**

Adjusting the interactive projector settings

Setting	Use	Notes
Startup Screen	<p>Opens the <b>Startup Screen</b> sub-menu where you can select the type of startup screen (<b>SMART</b> or <b>USER</b>), capture an image to use for your startup screen and preview the current startup screen.</p>	<p>The default is <b>SMART</b>.                      This screen displays when the projector lamp is starting and a video source signal isn't displayed.  <b>SMART</b> displays the default SMART logo on a blue background.  <b>USER</b> displays an image you capture or select. If no image is selected, a default image displays.  <b>Capture User Startup Screen</b> closes the on-screen display menu and captures the entire projected image. The captured image is displayed the next time the Startup Screen displays. (The capture can take up to one minute, depending on the complexity of the background graphic.)  <b>Preview Startup Screen</b> enables you to preview the default or captured startup screen.</p>
Test Screen	<p>Opens the <b>Test Screen</b> sub-menu where you can select the type of screen test (<b>Display Grid</b>, <b>Display Multi-Square Pattern</b>, <b>Display Checkerboard 1</b>, <b>Display Checkerboard 2</b> or <b>Display Single Square</b>). Select <b>Exit</b> to close the menu.</p>	<p>This screen enables you to quickly check display performance. Select a test type, and then press <b>ENTER</b> on the remote control. Press <b>ENTER</b> again to exit the test and return to the <b>Test Screen</b> sub-menu.  <b>Display Grid</b> displays a 7 × 7 Grid test screen.  <b>Display Multi-Square Pattern</b> displays a 45 Square test screen.  <b>Display Checkerboard 1</b> displays a Check1 test screen.  <b>Display Checkerboard 2</b> displays a Check2 test screen.  <b>Display Single Square</b> displays a Spot test screen.</p>



## APPENDIX C

### Adjusting the interactive projector settings

Setting	Use	Notes
Default	Opens the <b>Default</b> sub-menu where you can reset projector settings to their default values.	If you press <b>ENTER</b> on the remote control, all projector settings reset to their defaults, reversing any menu changes you made. This action is irreversible. Don't adjust this setting unless you want to reset all of the applied settings, or unless you're advised to by a SMART Support specialist ( <a href="http://smarttech.com/contactsupport">smarttech.com/contactsupport</a> ).
<b>Network menu</b>		
Network and VGA1 out	Activates the projector's VGA1 out and network features.	The default is <b>Off</b> .
Status	Displays the current network status ( <b>Connected</b> , <b>Disconnected</b> or <b>Off</b> ).	
DHCP	Displays the status of the network's Dynamic Host Control Protocol (DHCP) as <b>On</b> or <b>Off</b> .	The default is <b>Off</b> .
Password Reminder	E-mails the network password to the e-mail recipient.	See <i>Remotely managing your projector</i> on page 75 to set up a destination e-mail address.
IP Address	Displays the projector's current IP address in values between 0.0.0.0 and 255.255.255.255.	To change the projector's IP address, use the RS-232 connector (see <i>Network controls</i> on page 90) or use a DHCP server to assign a dynamic IP address, and then set a static IP address using the network remote management feature (see <i>Remotely managing your projector</i> on page 75).
Subnet Mask	Displays the projector's subnet mask number in values between 0.0.0.0 and 255.255.255.255.	
Gateway	Displays the projector's default network gateway in values between 0.0.0.0 and 255.255.255.255.	

## APPENDIX C

### Adjusting the interactive projector settings

Setting	Use	Notes
DNS	Displays the projector's primary domain name number in values between 0.0.0.0 and 255.255.255.255.	
MAC Address	Displays the projector's MAC address in xx-xx-xx-xx-xx-xx format.	
Group Name	Displays the projector's workgroup name as set by an administrator (maximum 16 characters).	You can set the projector's workgroup name using the remote management features (see <i>Remotely managing your projector</i> on page 75).
Projector Name	Displays the projector's name as set by an administrator (maximum 16 characters).	You can set the projector's name using the remote management features (see <i>Remotely managing your projector</i> on page 75).
Location	Displays the projector's location as set by an administrator (maximum 16 characters).	You can set the projector's location using the remote management features (see <i>Remotely managing your projector</i> on page 75).
Contact	Displays the contact e-mail address for projector support as set by an administrator (maximum 32 characters).	You can set the contact e-mail address using the remote management features (see <i>Remotely managing your projector</i> on page 75).
<b>Language menu</b>		
Language	Selects language preference.	Projector menu support is available in English (default), Arabic, Chinese (Simplified), Chinese (Traditional), Czech, English (UK), French (France), French (Canada), German, Greek, Hungarian, Italian, Japanese, Malay, Polish, Portuguese (Brazil), Portuguese (Portugal), Russian, Slovenian, Spanish (Mexico), Spanish (Spain), Turkish and Ukrainian.

## APPENDIX C

### Adjusting the interactive projector settings

Setting	Use	Notes
<b>Projector Information menu</b>		
Lamp Hours	Displays the current number of lamp usage hours from 0 to 5000 hours from when it was last reset.	Always reset the lamp hours after you replace a lamp, because lamp service reminders are based on the current hours of use. See <i>Resetting the lamp hours</i> on page 56 for details on how to reset the lamp hours.
Input	Displays the current video input source ( <b>VGA-1</b> , <b>HDMI</b> or <b>VIDEO</b> ).	
Resolution	Displays the projector's most recently detected video source signal resolution and refresh rate.	If there is no current video input source signal, this setting displays the last known source signal resolution and refresh rate.
Firmware Version	Displays the projector's digital display processor (DDP) firmware version in x.x.x.x format.	
Network Version	Displays the projector's network communications processor firmware version in x.x.x.x format.	
Touch Version	Displays the projector's touch processor firmware version in x.x.x.x. format.	
Model Number	Displays the projector's model number.	
Serial Number	Displays the projector's serial number.	

## Adjusting SLR60wi2 interactive projector settings

The remote control's **Menu** button enables you to access the on-screen display (OSD) menu to adjust the projector settings.



### IMPORTANT

There are no projector menu options on the XCP. Keep your remote control in a safe place, such as the pen holder, because the XCP is not a substitute for the remote control.

## APPENDIX C

Adjusting the interactive projector settings





### NOTE

Some projector settings aren't available for all video sources.

Setting	Use	Notes
<b>Image Adjustment menu</b>		
Display Mode	Indicates the interactive projector's display output <b>(SMART Presentation, Bright Room, Dark Room, sRGB and User).</b>	The default is <b>SMART Presentation.</b>
Brightness	Adjusts projector brightness from 0 to 100.	The default is <b>50.</b>
Contrast	Adjusts the difference between the lightest and darkest parts of the image from 0 to 100.	The default is <b>50.</b>
Saturation	Adjusts the image from black and white to saturated color from 0 to 100.	The default is <b>50.</b> This setting applies to Composite inputs only.
Sharpness	Adjusts projected image sharpness from 0 to 31.	The default is <b>16.</b> This setting applies to Composite inputs only.
Tint	Adjusts the image color balance of red and green from 0 to 100.	The default is <b>50.</b> This setting applies to Composite inputs only.
Frequency	Adjusts the display data frequency of the projected image from -5 to 5 to match the frequency of your computer's graphics card.	The default is <b>0.</b> This setting applies to VGA inputs only.
Tracking	Synchronizes your projector's display timing with your computer's graphics card from 0 to 63.	This setting applies to VGA inputs only.

## APPENDIX C

### Adjusting the interactive projector settings

Setting	Use	Notes
H-Position	Moves the horizontal position of the source video left or right from 0 to 100 (relative to the projected image).	<p>The default is <b>50</b>.</p> <p>This setting applies to VGA inputs only and is useful in situations where the source video is cut off.</p> <div style="background-color: #f0f0f0; padding: 5px;"> <p> <b>IMPORTANT</b></p> <ul style="list-style-type: none"> <li>Do not adjust this setting unless advised to by SMART Support.</li> <li>Adjust this setting only after you make all physical image adjustments.</li> </ul> </div>
V-Position	Moves the vertical position of the source video up or down from -5 to 5 (relative to the projected image).	<p>The default is <b>0</b>.</p> <p>This setting applies to VGA inputs only and is useful in situations where the source video is cut off.</p> <div style="background-color: #f0f0f0; padding: 5px;"> <p> <b>IMPORTANT</b></p> <ul style="list-style-type: none"> <li>Do not adjust this setting unless advised to by SMART Support.</li> <li>Adjust this setting only after you make all physical image adjustments.</li> </ul> </div>
White Peaking	Adjusts the image color brightness while providing more vibrant colors, in increments from 0 to 10.	<p>The default is <b>10</b>.</p> <p>A value closer to 0 creates a natural image and a value closer to 10 creates an enhanced brightness.</p>
Degamma	Adjusts the color performance of the display from 1 to 2 or from 0 to 3 depending on the display mode selected.	The default varies depending on the display mode.
Color	Opens a sub-menu where you can adjust the projector's Red, Green, Blue, Cyan, Magenta and Yellow colors from 0 to 100.	<p>Each color has a default value of 100.</p> <p>Color settings are saved to the <b>User</b> display mode.</p>

## APPENDIX C

Adjusting the interactive projector settings

Setting	Use	Notes
<b>Basic Audio Control menu</b>		
Line Out	Turns the audio output jack <b>On</b> or <b>Off</b> .	The default is <b>On</b> .
Microphone	Turns the microphone input jack <b>On</b> or <b>Off</b> .	The default is <b>On</b> .
Speaker	Turns the internal speaker <b>On</b> or <b>Off</b> .	The default is <b>On</b> .
Microphone Volume	Adjusts the projector's microphone volume amplification from 0 to 40.	The default is <b>20</b> .
Main Volume	Adjusts the volume from 0 to 40.	The default is <b>20</b> .
Disable Volume Control	Turns volume control <b>On</b> or <b>Off</b> .	The default is <b>Off</b> .
Mute	Turns the projector's audio output mute function <b>On</b> or <b>Off</b> .	The default is <b>Off</b> . If you mute the projector's audio output and then increase or decrease the volume, the volume is restored automatically. You can prevent this from happening by disabling the <i>Line Out</i> above.
Closed Captioning	Turns closed captioning <b>On</b> or <b>Off</b> .	The default is <b>Off</b> .
Closed Captioning Language	Choose <b>CC1</b> or <b>CC2</b> .	Typically, <b>CC1</b> displays U.S. English subtitles, while <b>CC2</b> displays other regional languages, such as French or Spanish, depending on the television channel or media setup.
Advanced	Opens the <b>Advanced Audio</b> sub-menu where you can enable and disable the microphone input and the speaker output for each display mode. Further details in the following rows.	
<b>Advanced Audio sub-menu</b>		
VGA1 Mic	Enables or disables the microphone input jack when using the VGA1 input.	




## APPENDIX C

Adjusting the interactive projector settings

Setting	Use	Notes
VGA1 Speaker	Enables or disables the audio output jack when using the VGA1 input.	
HDMI Mic	Enables or disables the microphone input jack when using the HDMI input.	
HDMI Speaker	Enables or disables the audio output jack when using the HDMI input.	
Composite Mic	Enables or disables the microphone input jack when using the Composite input.	
Composite Speaker	Enables or disables the Composite input to the internal speaker.	
Microphone Boost	Boost is applied in the <b>Off</b> setting.	The default is <b>On</b> (-20 dB). Keep this setting on if your microphone is too sensitive. Change the setting to <b>Off</b> if you want to apply Microphone Boost.
Exit	Closes the <b>Advanced Audio</b> sub-menu.	
<b>Operational Settings menu</b>		
Control Panel	Applies power to the DIN7, DIN4 and DB9 ports for XCP control panel power.	The default is <b>Off</b> .
Auto Signal Detect	Enables or disables signal searching of input connectors.	The default is <b>On</b> . Select <b>On</b> to have the projector continuously switch inputs until it finds an active video source. Select <b>Off</b> to manually select the input source.
Lamp Reminder	Turns the lamp replacement reminder <b>On</b> or <b>Off</b> .	The default is <b>On</b> . This reminder appears 100 hours before the recommended lamp replacement.
Lamp Mode	Adjusts lamp brightness to <b>Standard</b> or <b>Economy</b> .	The default is <b>Standard</b> , which displays a high-quality, bright image. <b>Economy</b> increases the lamp life by decreasing the brightness of the image.

## APPENDIX C

### Adjusting the interactive projector settings

Setting	Use	Notes
USB Touch	Enables touch and pen interaction on either <b>VGA1</b> , <b>HDMI</b> or <b>All</b> .	<p>The default is <b>All</b>. Only change this setting if you want touch and pen interaction active on only one video source (VGA or HDMI).</p> <p> <b>IMPORTANT</b></p> <p>This setting must match the current video input or there will be no touch function.</p>
Auto Power Off (minutes)	Sets the length of the auto power-off countdown timer between 1 and 240 minutes.	<p>The default is <b>120</b> minutes. The timer begins to count down when the projector no longer receives a video signal. When the timer finishes, the projector enters Standby mode. Select <b>0</b> to turn off the timer.</p>
Keystone	Adjusts image keystone distortions caused by movement of the projector.	<p>The default is <b>0</b>. The keystone can be adjusted from -15 to 15.</p> <p> <b>IMPORTANT</b></p> <p>Use this setting only after you make all physical image alignment adjustments to straighten the vertical lines of the image.</p>
Zoom	Adjusts the zoom to the center of the image in or out from 0 to 30.	<p>The default is <b>0</b>. Zooming in cuts off the outer edges of the source video.</p> <p> <b>IMPORTANT</b></p> <p>SMART recommends you leave Zoom at the default setting of 0. Adjusting this setting can affect touch function.</p>



## APPENDIX C

### Adjusting the interactive projector settings

Setting	Use	Notes
Projector ID	Displays the projector's unique ID within your organization's network. You can set the projector ID from 0 to 999.	The default is <b>0</b> . You can refer to this number when using the network remote management feature (see <i>Remotely managing your projector</i> on page 75).
Aspect Ratio	Adjusts the image output to <b>Fill Screen</b> , <b>Match Input</b> or <b>16:9</b> .	The default is <b>Match Input</b> . <b>Fill Screen</b> produces an image that fills the entire screen by stretching and scaling the source video to match the projector's native aspect ratio. <b>Match Input</b> scales to fill the space at the native aspect ratio. As a result, unused space could appear along the top and bottom edges of the screen (letterbox format) or along the left and right edges of the screen (pillarbox format). <b>16:9</b> displays the source video in 16:9 aspect ratio. As a result, unused space appears along the top and bottom edges of the screen. This is recommended for use with HDTV and DVD/Blu-ray discs enhanced for wide-screen televisions. See <i>Video format compatibility</i> on page 120 for descriptions of each mode.

## APPENDIX C

### Adjusting the interactive projector settings

Setting	Use	Notes
Startup Screen	Opens the <b>Startup Screen</b> sub-menu where you can select the type of startup screen ( <b>SMART</b> or <b>USER</b> ), capture an image to use for your startup screen and preview the current startup screen.	<p>The default is <b>SMART</b>.</p> <p>This screen displays when the projector lamp is starting and a video source signal isn't displayed.</p> <p><b>SMART</b> displays the default SMART logo on a blue background.</p> <p><b>USER</b> displays an image you capture or select. If no image is selected, a default image displays.</p> <p><b>Capture User Startup Screen</b> closes the on-screen display menu and captures the entire projected image. The captured image is displayed the next time the Startup Screen displays. (The capture can take up to one minute, depending on the complexity of the background graphic.)</p> <p><b>Preview Startup Screen</b> enables you to preview the default or captured startup screen.</p>
Default	Opens the <b>Default</b> sub-menu where you can reset projector settings to their default values.	<p>If you press <b>ENTER</b> on the remote control, all projector settings reset to their defaults, reversing any menu changes you made. This action is irreversible.</p> <p>Don't adjust this setting unless you want to reset all of the applied settings, or unless you're advised to by a SMART Support specialist (<a href="http://smarttech.com/contactsupport">smarttech.com/contactsupport</a>).</p>
<b>Network menu</b>		
Network and VGA Out	Activates the projector's VGA output and network features.	The default is <b>Off</b> .
Status	Displays the current network status ( <b>Connected</b> , <b>Disconnected</b> or <b>Off</b> ).	

## APPENDIX C

### Adjusting the interactive projector settings

Setting	Use	Notes
DHCP	Displays the status of the network's Dynamic Host Control Protocol (DHCP) as <b>On</b> or <b>Off</b> .	The default is <b>Off</b> .
Password Reminder	E-mails the network password to the e-mail recipient.	See <i>Remotely managing your projector</i> on page 75 to set up a destination e-mail address.
IP Address	Displays the projector's current IP address in values between 0.0.0.0 and 255.255.255.255.	To change the projector's IP address, use the RS-232 connector (see <i>Network controls</i> on page 90) or use a DHCP server to assign a dynamic IP address, and then set a static IP address using the network remote management feature (see <i>Remotely managing your projector</i> on page 75).
Subnet Mask	Displays the projector's subnet mask number in values between 0.0.0.0 and 255.255.255.255.	
Gateway	Displays the projector's default network gateway in values between 0.0.0.0 and 255.255.255.255.	
DNS	Displays the projector's primary domain name number in values between 0.0.0.0 and 255.255.255.255.	
MAC Address	Displays the projector's MAC address in xx-xx-xx-xx-xx-xx format.	
Group Name	Displays the projector's workgroup name as set by an administrator (maximum 16 characters).	You can set the projector's workgroup name using the remote management features (see <i>Remotely managing your projector</i> on page 75).
Projector Name	Displays the projector's name as set by an administrator (maximum 16 characters).	You can set the projector's name using the remote management features (see <i>Remotely managing your projector</i> on page 75).

## APPENDIX C

### Adjusting the interactive projector settings

Setting	Use	Notes
Location	Displays the projector's location as set by an administrator (maximum 16 characters).	You can set the projector's location using the remote management features (see <i>Remotely managing your projector</i> on page 75).
Contact	Displays the contact e-mail address for projector support as set by an administrator (maximum 32 characters).	You can set the contact e-mail address using the remote management features (see <i>Remotely managing your projector</i> on page 75).
<b>Language menu</b>		
Language	Selects language preference.	Projector menu support is available in English (default), Arabic, Chinese (Simplified), Chinese (Traditional), Czech, Danish, Dutch (Netherlands), Finnish, French (France), German, Greek, Hindi, Italian, Japanese, Korean, Norwegian, Polish, Portuguese (Brazil), Portuguese (Portugal), Russian, Spanish (Spain), Swedish.
<b>Projector Information menu</b>		
Lamp Hours	Displays the current number of lamp usage hours from 0 to 5000 hours from when it was last reset.	Always reset the lamp hours after you replace a lamp, because lamp service reminders are based on the current hours of use. See <i>Resetting the lamp hours</i> on page 56 for details on how to reset the lamp hours.
Input	Displays the current video input source ( <b>VGA HDMI</b> or <b>VIDEO</b> ).	
Resolution	Displays the projector's most recently detected video source signal resolution and refresh rate.	If there is no current video input source signal, this setting displays the last known source signal resolution and refresh rate.
Touch Version	Displays the projector's touch processor firmware version in x.x.x.x. format.	

## APPENDIX C

Adjusting the interactive projector settings

<b>Setting</b>	<b>Use</b>	<b>Notes</b>
Firmware Version	Displays the projector's digital display processor (DDP) firmware version in x.x.x.x format.	
MPU Version	Displays the projector's microprocessor unit (MPU) firmware version in x.x.x.x format.	
Network Version	Displays the projector's network communications processor firmware version in x.x.x.x format.	
Model Number	Displays the projector's model number.	
Serial Number	Displays the projector's serial number.	



## Appendix D

# Integrating other devices

Native video format .....	119
SLR60wi .....	119
SLR60wi2 .....	119
Video format compatibility .....	120
SLR60wi .....	120
SLR60wi2 .....	121
HD and SD signal format compatibility .....	122
SLR60wi .....	122
SLR60wi2 .....	123
Connecting peripheral sources and outputs .....	124

This chapter provides information on integrating your projector with peripheral devices.

### NOTE

The 16:9 on-screen display (OSD) menu setting delivers all video modes with black bands along the top and bottom edges of the screen. The *Match Input* OSD setting might deliver video modes with black bands along the top and bottom or the left and right edges of the screen, depending on the input resolution.

## Native video format

### SLR60wi

The following table lists the native VESA® RGB video format for the projector.

Resolution	Aspect ratio	Refresh rate (Hz)
1280 × 800	16:10	60

### SLR60wi2

The following table lists the native VESA RGB video format for the projector.

## APPENDIX D

Integrating other devices

Resolution	Aspect ratio	Refresh rate (Hz)
1280 × 800	16:10	60

## Video format compatibility

The following table lists the projector's compatible VESA RGB video formats by resolution, which the projector adjusts automatically when you use the aspect ratio commands described in .



### NOTE

- Although other resolutions might work, only the resolutions listed in the table below are supported by SMART.
- The projector scales the image to fit one of the following aspect ratios:
  - Fill: The full size of the projection area is used.
  - Match Input: The aspect ratio of the input source is used.
  - 16:9: The aspect ratio 16:9 (Letterbox) is used.

## SLR60wi

Resolution	Mode	Aspect ratio	Refresh rate (Hz)	Match input appearance
640 × 480	VGA 60	4:3	59.94	Pillarbox
640 × 480	VGA 72	4:3	72.809	Pillarbox
640 × 480	VGA 75	4:3	75	Pillarbox
640 × 480	VGA 85	4:3	85.008	Pillarbox
800 × 600	SVGA 56	4:3	56.25	Pillarbox
800 × 600	SVGA 60	4:3	60.317	Pillarbox
800 × 600	SVGA 72	4:3	72.188	Pillarbox
800 × 600	SVGA 75	4:3	75	Pillarbox
800 × 600	SVGA 85	4:3	85.061	Pillarbox
832 × 624	MAC 16"	4:3	74.55	Pillarbox
1024 × 768	XGA 60	4:3	60.004	Pillarbox



## APPENDIX D

Integrating other devices

Resolution	Mode	Aspect ratio	Refresh rate (Hz)	Match input appearance
1024 × 768	XGA 70	4:3	70.069	Pillarbox
1024 × 768	XGA 75	4:3	75.029	Pillarbox
1024 × 768	XGA 85	4:3	84.997	Pillarbox
1024 × 768	MAC 19"	4:3	75.02	Pillarbox
1152 × 864	SXGA 75	4:3	75	Pillarbox
1280 × 720	HD 720	16:9	60	Letterbox
1280 × 800	WXGA 60	5:3	59.81	Full screen
1280 × 1024	SXGA 60	4:3	60.02	Pillarbox
1280 × 1024	SXGA 75	4:3	75.025	Pillarbox
1280 × 1024	SXGA 85	4:3	85.024	Pillarbox
1360 × 768	1360 × 768 60	16:9	59.848	Letterbox
1600 × 1200	UXGA	4:3	60	Pillarbox
1680 × 1050	1680 × 1050 50	16:10	49.974	Full screen
1680 × 1050	1680 × 1050 60	16:10	59.954	Full screen
1920 × 1080	HD 1080	16:9	60	Letterbox

## SLR60wi2

Resolution	Mode	Aspect ratio	Refresh rate (Hz)	Match Input appearance (16:10 aspect ratio mode)	Match Input appearance (16:9 aspect ratio mode)
720 × 400	720×400_85	9:5	85.039	Letterbox	Letterbox
640 × 480	VGA 60	4:3	59.94	Pillarbox	Pillarbox
800 × 600	VGA 72	4:3	72.809	Pillarbox	Pillarbox
800 × 600	VGA 75	4:3	75	Pillarbox	Pillarbox
800 × 600	VGA 85	4:3	85.008	Pillarbox	Pillarbox
800 × 600	SVGA 56	4:3	56.25	Pillarbox	Pillarbox
800 × 600	SVGA 60	4:3	60.317	Pillarbox	Pillarbox

## APPENDIX D

Integrating other devices

Resolution	Mode	Aspect ratio	Refresh rate (Hz)	Match Input appearance (16:10 aspect ratio mode)	Match Input appearance (16:9 aspect ratio mode)
800 × 600	SVGA 72	4:3	72.188	Pillarbox	Pillarbox
800 × 600	SVGA 75	4:3	75	Pillarbox	Pillarbox
800 × 600	SVGA 85	4:3	85.061	Pillarbox	Pillarbox
832 × 624	MAC 16"	4:3	74.55	Pillarbox	Pillarbox
1024 × 768	XGA 60	4:3	60.004	Pillarbox	Pillarbox
1024 × 768	XGA 70	4:3	70.069	Pillarbox	Pillarbox
1024 × 768	XGA 75	4:3	75.029	Pillarbox	Pillarbox
1024 × 768	XGA 85	4:3	84.997	Pillarbox	Pillarbox
1024 × 768	MAC 19"	4:3	74.7	Pillarbox	Pillarbox
1152 × 864	SXGA 75	4:3	75	Pillarbox	Pillarbox
1280 × 768	WXGA 60	1.67:1	60	Letterbox	Pillarbox
1280 × 960	Quad VGA 60	4:3	60	Pillarbox	Pillarbox
1280 × 960	Quad VGA 85	4:3	85.002	Pillarbox	Pillarbox
1280 × 960	SXGA3 60	5:4	60.02	Pillarbox	Pillarbox
1280 × 1024	SXGA3 75	5:4	75.025	Pillarbox	Pillarbox
1600 × 1200	SXGA+	4:3	59.978	Pillarbox	Pillarbox
1600 × 1200	UXGA_60	4:3	60	Pillarbox	Pillarbox

## HD and SD signal format compatibility

### SLR60wi

Signal format	Aspect ratio	Match Input appearance
NTSC	4:3	
PAL	4:3	

## APPENDIX D

Integrating other devices

Signal format	Aspect ratio	Match Input appearance
SECAM	4:3	
480i	4:3	Pillarbox
576i	4:3	Pillarbox
720p	16:9	Letterbox
720p	16:9	Letterbox
1080i	16:9	Letterbox
1080i	16:9	Letterbox
1080p (HDMI only)	16:9	Letterbox

## SLR60wi2

Signal format	Aspect ratio	Match Input appearance (16:10 aspect ratio mode)	Match Input appearance (16:9 aspect ratio mode)
NTSC	4:3		
PAL	4:3		
SECAM	4:3		
PAL-M	4:3		
PAL-N	4:3		
PAL-60	4:3		
NTSC 4.43	4:3		
480i (525i)	4:3	Pillarbox	Pillarbox
480p (525p)	4:3	Pillarbox	Pillarbox
576i (625i)	5:4	Pillarbox	Pillarbox
576p (625p)	5:4	Pillarbox	Pillarbox
720p (750p)	16:9	Letterbox	Full screen
1080i (1125i)	16:9	Letterbox	Full screen
1080p (1125p)	16:9	Letterbox	Full screen

## Connecting peripheral sources and outputs

Follow these instructions if you have a peripheral device to connect to your projector, such as a DVD/Blu-ray player.

### WARNING

Measure the distance between the interactive projector and the peripheral device you want to connect. Make sure each cable is long enough, has plenty of slack and can be placed safely in your room without presenting a trip hazard.

### To connect a peripheral source or output to your projector

1. Connect your peripheral device's input cables to the projector (see *Projector connections* on page 16) or the XCP (see *XCP input connections* on page 36).
2. Switch input sources to the peripheral device by pressing the **Input** button on the remote control or the XCP.

## Appendix E

# Hardware environmental compliance

SMART Technologies supports global efforts to ensure that electronic equipment is manufactured, sold and disposed of in a safe and environmentally friendly manner.

## Waste Electrical and Electronic Equipment and Battery regulations (WEEE and Battery Directives)

Electrical and electronic equipment and batteries contain substances that can be harmful to the environment and to human health. The crossed-out wheeled bin symbol indicates that products should be disposed of in the appropriate recycling stream and not as regular waste.



## Batteries

The pen contains a lithium ion battery. The remote and the CAT contains a lithium CR2025 coin cell battery. The CAT contains a lithium CR2032 coin cell battery. Recycle or dispose of batteries properly.

## Perchlorate material

Contains perchlorate material. Special handling may apply. See [dtsc.ca.gov/hazardouswaste/perchlorate](http://dtsc.ca.gov/hazardouswaste/perchlorate).

## Mercury

The lamp in this product contains mercury and must be recycled or disposed in accordance with local, state, provincial and federal laws.



## More information

See [smarttech.com/compliance](http://smarttech.com/compliance) for more information.



# Index

## A

- accessories 6
- alarms 77
- aspect ratios 119
- audio
  - controlling volume of 89
  - muting 25, 90

## B

- batteries 125

## C

- cables 14
- closed captioning 76, 89-90
- composite video connections 77, 86
- contact person 78
- Curtain Alignment Tool (CAT) 3

## D

- DHCP 77, 90
- DNS 78, 91

## E

- e-mail alerts 79
- emergency alerts 77

## F

- fans 70, 77
- Features 2

## G

- GoWire 39-40

## H

- HDMI connections 77, 86
- height 12

## I

- image
  - resolving issues with 67
- input selection 86
- installation
  - choosing a height 12
  - choosing a location 11
  - choosing a surface 7
  - routing the cables 14
- Installing 7
- Interactive projector 2
- IP address 77, 90

## L

- lamp module
  - resolving issues with 70
- light sources 11
- LightRaise projector control (XCP) 5
- location 11, 78

## M

- MAC address 91
- Map rails 11

## INDEX

mercury 125  
mute control 25, 90

## N

native video formats 119  
network communication 77, 90

## O

obstructions 11

## P

passwords 74, 79  
Pen holder 4  
Perchlorate material 125  
power 76, 85  
projector  
    displaying the name of 78  
Projector boom 3  
projector controls 37

## R

refresh rates 119  
Remote control 5

## S

SMTP 79  
subnet mask 77, 90  
surface 7  
Surface obstructions 11

## T

Touch Detection Module (TDM) 3  
trap destination address 78

## U

USB charger 4

## V

VGA connections 77, 86, 88  
volume control 89

## W

Wall-mounting kit 6  
Wall protrusions 11  
WEEE and Battery Directives 125

## X

XCP 36, 101, 111  
XCP adapters 6  
XCP power 101, 111





SMART Technologies

[smarttech.com/support](https://smarttech.com/support)

[smarttech.com/contactsupport](https://smarttech.com/contactsupport)

[smarttech.com/kb/170295](https://smarttech.com/kb/170295)