

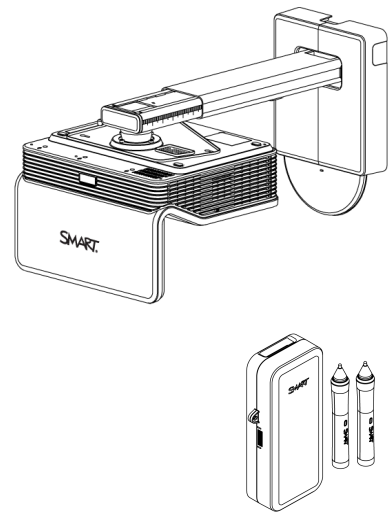
Specification

LightRaise™ 60wi interactive projector

Model SLR60wi

Physical specifications

Size	14" W × 14 3/4" H × 30 1/4" D (35.6 cm × 37.5 cm × 76.8 cm)
Weight	28 lb. (12.7 kg)
Projector box	
Shipping size	20 1/4" W × 19 1/2" H × 22 3/4" D (51.6 cm × 49.4 cm × 57.9 cm)
Shipping weight	32 lb. (14.5 kg)
Boom kit box	
Shipping size	10" W × 8 1/2" H × 17" D (25.4 cm × 21.6 cm × 43.2 cm)
Shipping weight	12 lb. (5.5 kg)



All dimensions +/- 1/8" (0.3 cm). All weights +/- 2 lb. (0.9 kg).

System requirements

System requirements	Windows® operating systems or Mac operating system software as detailed in the <i>SMART Notebook™ 11.1 software for Windows and Mac computers release notes</i> (smarttech.com/kb/170421).
USB connection	USB 1.1 full-speed for HID multitouch and SMART Support.

SPECIFICATION

LightRaise 60wi interactive projector – Model SLR60wi

Standard features

Software Interact with applications, perform mouse functions and write and erase digital ink using a finger or the interactive pen.

- For basic mouse operations with a finger or an interactive pen, you don't need to install SMART Product Drivers on computers with Windows operating systems.

NOTE

If your Windows operating system is Windows 7 or later, it supports dual touch and has pen and finger differentiation.

- Advanced features, including the calligraphic pen, are available if you install SMART software from the included DVD. Software upgrades are available from smarttech.com/downloads.

Projector features

Tool awareness Automatically differentiates between finger touch and pen touch on the surface. You can write with a pen, and then manipulate content with your finger without changing tools.

Dual touch interaction Enables two people to draw and manipulate content on the surface at the same time. The interactive surface can be touched simultaneously by two fingers, by two pens or by one finger and one pen.

Aspect ratio 16:10 native aspect ratio with support for 4:3 and 16:9 ratios with scaling

Contrast ratio 3400:1

Projected image size range and ceiling clearance

NOTE

The interactive areas listed are for projecting onto a blank, vertical wall. When projected onto an existing whiteboard, the maximum diagonal area size reduces by 1 1/2" (3.8 cm) for each 1/2" (1.3 cm) of whiteboard thickness. For more information about interactive area sizes and ceiling clearances, see the *LightRaise 60wi interactive projector mounting template* (smarttech.com/kb/170271).

Minimum interactive area on a blank wall 67" (170.2 cm) diagonal
35 1/2" H × 56 3/4" W (90.2 cm × 144.1 cm)
Minimum 15 1/2" (39.4 cm) clearance required from top of image area to ceiling

Maximum interactive area on a blank wall 100" (254.0 cm) diagonal
53" H × 84 3/4" W (134.6 cm × 215.3 cm)
Minimum 19 1/4" (48.9 cm) clearance required from top of image area to ceiling

Throw ratio 0.36:1

SPECIFICATION

LightRaise 60wi interactive projector – Model SLR60wi

Display resolution	<ul style="list-style-type: none">• WXGA 1280 × 800• HD ready
Display technology	The projection engine uses DLP® technology by Texas Instruments™, providing BrilliantColor™ performance and quality Gamma 2.2 correction with Bright Room, Dark Room, sRGB, User and SMART Presentation modes.
Video interface compatibility	HDCP compliant HDMI, Composite, VESA® RGB with additional interface support for Component YPbPr and Component YCbCr inputs with the proper adapters (not included)
Video format compatibility	The projector has a native 16:10 aspect ratio WXGA resolution and supports XGA, VGA, SVGA, SXGA, Quad VGA, SXGA+ and UXGA formats with scaling.
Video system compatibility	NTSC, NTSC 4.43, PAL, PAL-N, PAL-M, SECAM, 720p and 1080p
Synchronization	Auto image synchronization (auto tracking, frequency, position adjustment, source detect and phase detect)
Keystone correction	Corrects for projector tilt ±15°
Brightness	Adjustable to compensate for ambient light. Estimated at 2500 lumens at a CCT of 6500 K by the IEC method.
Lamp life	3500 hours in Standard 230 W mode. 5000 hours in Economy 190 W mode.
Speakers	The projector includes two built-in 10W speakers.
Frequency range	378 Hz to 15 kHz
Speaker sensitivity	83 dB SPL at 0.5 m
Controls	
Remote control	Provides a method of controlling the projector and adjusting the projector settings.
External control	The RS-232 control connector is configured to accept control codes from your computer or from an optional room control system. Room control is based on an RS-232 standard. For more information, see the <i>LightRaise 60 wi</i> interactive projector <i>Users' guide</i> (smarttech.com/kb/170295).
Network control	RJ45 connector for network control. A network cable isn't included.

SPECIFICATION

LightRaise 60wi interactive projector – Model SLR60wi

Projector connections and included cables

Connector	Connects to	Cable provided
Power	Mains power source	14' 9" (4.5 m) country-specific power cable
8 pin TDM socket	Touch detection module (TDM)	Light curtain, Pigtail (strain relief)
DB15F RGB video input (VGA 1)	Computer (not included)	16' (5 m) VGA cable
DB15F RGB video output (VGA Out)	Optional secondary display (not included)	Not included
Stereo 3.5 mm phono jack audio input for stereo input associated with the VGA input	Computer (not included)	Not included
Touch USB	Computer for touch detection	16' (5m) USB A to mini-B cable
Stereo 3.5 mm phono jack for line output	External speakers (not included)	Not included
Balanced 3.5 mm phono jack for microphone input	Microphone (not included)	Not included
RCA composite video input (and left and right RCA audio input)	Video source (not included)	Not included
HDMI digital input	High-definition video source (not included)	Not included
DB9 RS-232	Room control	Not included
RJ45	Network (for web page management and SNMP access)	Not included
4-pin power mini-DIN 5V/2A output	Optional LightRaise projector control (XCP) (Not included)	Not included
7-pin mini-DIN	LightRaise projector control (XCP) harness cable (Not included)	Not included
Service USB	Computer for projector firmware upgrading (not included)	Not included

SPECIFICATION

LightRaise 60wi interactive projector – Model SLR60wi

Theft protection The projector system features a padlock ring to prevent theft. A padlock isn't included. The Kensington® security slot can function as a visual and physical theft deterrent.

Interactive touch and pen features

Interactive technology A computer vision-based SMART touch detection system tracks dual finger touch using an infrared source, as well as dual interactive and synchronized infrared pen, on any reasonably flat surface.

- Pen features**
- Active tip switch
 - Power switch
 - Pen automatically turns off when not in use to prolong battery life
 - One tri-colored LED: green (operational), amber (battery charging required), red (fault)
 - SoftTouch texture for improved finger grip
 - USB mini-B connection for battery charging

Power requirements Approximately two hours to charge the lithium-ion battery using the included 9' 10" (3 m) USB mini-B cable and USB charger. A complete charge typically provides at least two days of continuous use.

Pen holder The lockable pen holder protects up to two interactive pens while they charge. It also has a magnetic mounting option and storage space for the remote control.

Pen battery charger USB charger for direct pen charging.

Installation

Installation instructions Installation instructions are included in the projector box and are online at smarttech.com/support.

Electrical requirements and interface details

Power cable Country-specific IEC 60320 C14 power cable

Power requirements 100V–240V AC at 50 Hz–60 Hz

Power consumption 395 W maximum in Standard mode and less than 0.5 W in Standby mode (ErP compliant)

Storage and operating specifications

Storage temperature -4°F to 122°F (-20°C to 50°C) with up to 80% humidity, non-condensing

SPECIFICATION

LightRaise 60wi interactive projector – Model SLR60wi

Operational temperature	At normal fan speed 41°F to 95°F (5°C to 35°C) with up to 80% humidity, non-condensing from 0' to 6000' (0 m to 1800 m) At high fan speed: 41°F to 95°F (5°C to 35°C) with up to 80% humidity, non-condensing from 6000' to 6800' (1800 m to 2100 m)
Projector fan noise	38 dBA at high speed and 33 dBA at standard speed, measured using the JIS method

Compliance and warranty

Environmental compliance	EU REACH, RoHS, WEEE, Battery, Packaging and ErP; China EIP; U.S. Packaging
Regulatory certification	UL (U.S./Canada), FCC, CE, CB, TUV-GS, CCC, C-Tick, GOST-R, PSB, PSE, and VCCI
Warranty	The projector and interactive pens have a three-year limited equipment warranty. The projector lamp has a 1000-hour / one-year warranty. See warranty documents for details.

SMART order numbers

SLR60wi	LightRaise 60wi interactive projector with touch detection, interactive pens and pen holder
1018580	Lamp module replacement kit for the LightRaise 60wi interactive projector
1018949	Replacement touch detection module
RPEN-SLR60	Replacement interactive pen for the LightRaise 60wi interactive projector
FRU-NIB-SLR60wi	Replacement nibs (×4) for the interactive pen
1017709	Replacement pen holder for the LightRaise 60wi interactive projector

Optional accessories

CAT5-XT-1100	USB extender cable
SLR-XCP	LightRaise projector control (XCP)
1017070	HDMI adapter (for the XCP)
1017071	VGA adapter (for the XCP)
1020516	RS-232 adapter (for the XCP)
20-01623-20	Optional mounting hardware kit for SMART projectors

SPECIFICATION

LightRaise 60wi interactive projector – Model SLR60wi

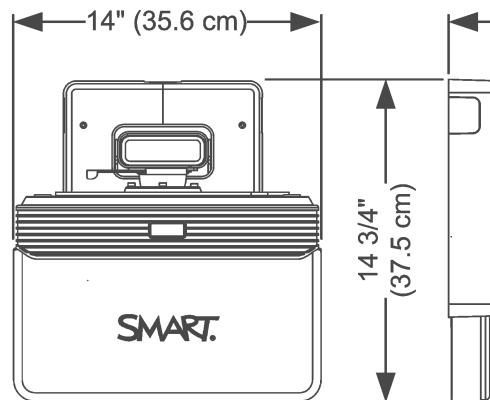
Physical dimensions

For more information about product installation and ceiling clearances, see the *LightRaise 60wi interactive projector mounting template* (smarttech.com/kb/170271).

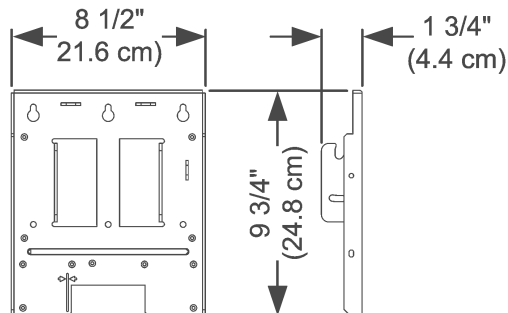
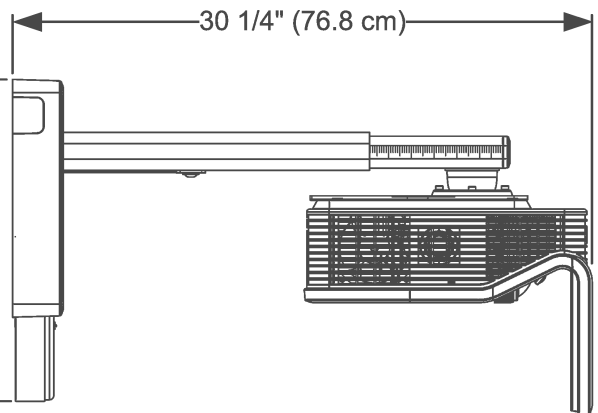
NOTE

The wall surface for image projection should be very flat to provide an optimal user experience. If the wall surface is too uneven, a 'controlled surface' such as an optional, magnetic-backed dry-erase board may be required. For a list of approved controlled surfaces, contact your SMART reseller (smarttech.com/where).

Interactive projector front view



Interactive projector side view

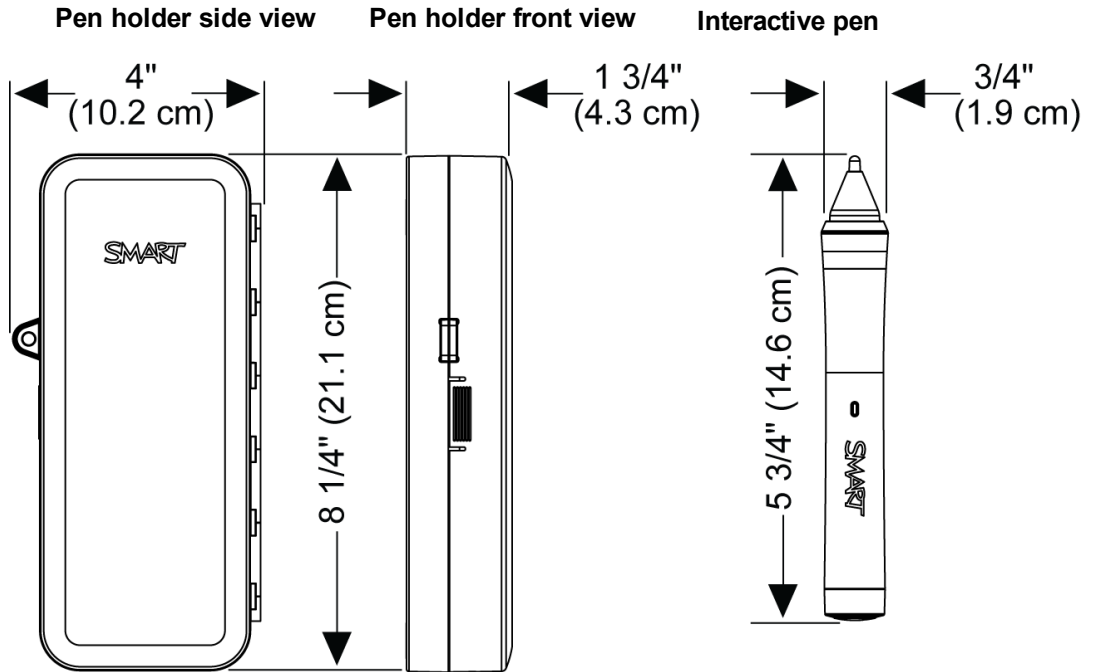


**Mounting bracket
front view**

**Mounting bracket
side view**

SPECIFICATION

LightRaise 60wi interactive projector – Model SLR60wi



NOTE

For more detailed drawings, see the *LightRaise 60wi interactive projector CAD drawings* (smarttech.com/kb/170471)

smarttech.com/support
smarttech.com/contactsupport

© 2012-2013 SMART Technologies ULC. All rights reserved. LightRaise, SMART Notebook, smarttech, the SMART logo and all SMART taglines are trademarks or registered trademarks of SMART Technologies ULC in the U.S. and/or other countries. All third-party product and company names may be trademarks of their respective owners. This product and/or use thereof covered by one or more of the following U.S. patents. www.smarttech.com/patents. Contents are subject to change without notice. 05/2013.