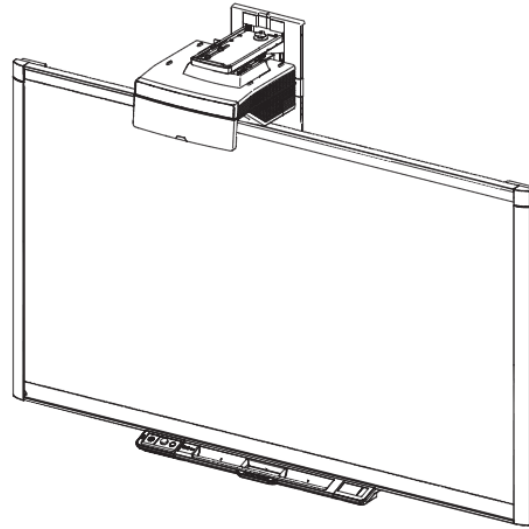


# SMART<sup>®</sup>



## *Service Parts Diagrams*

**For Model:  
UX80-SB885**

## Service Parts Diagrams Revision History

### Revision 1 - April, 2013

- New document

### Standard Warranty Terms

The projector and ECP have a three-year limited equipment warranty. The UX80 projector lamp has a 1000 hour/one year warranty.

First Customer Ship: May, 2013

---

**SMART Technologies**

3636 Research Road NW

Calgary, AB T2L 1Y1

CANADA

Support +1.403.228.5940 or Toll Free 1.866.518.6791 (Canada/U.S.)

Support Fax +1.403.806.1256

[www.smarttech.com/contactserviceparts](http://www.smarttech.com/contactserviceparts) [www.smarttech.com](http://www.smarttech.com)

The SMART logo consists of the word "SMART" in a bold, stylized, sans-serif font. The letters are black with a white outline, and a registered trademark symbol (®) is located at the bottom right of the letter "T".

# Service Parts Diagrams for the UX80-SB885

---

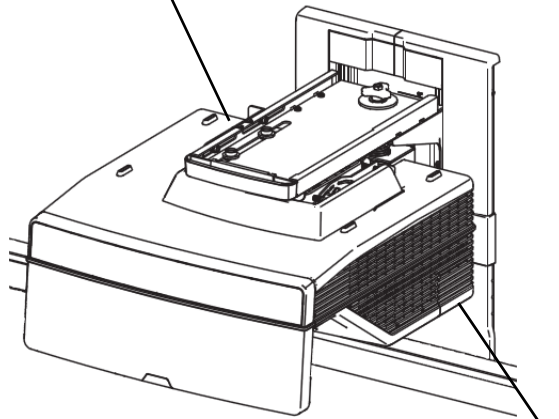
- Identifying Your Product Using the Serial Number ..... 1
- Ordering Parts ..... 1
- UX80 Parts ..... 2
- Optional Mounting Hardware Kit Assembly (Part No. 20-01623-20) ..... 4
- Assembly, SB885ix2 Cables and Hardware for SB885 Retrofit Kit (Part No. 1020131) ..... 5



## Identifying Your Product Using the Serial Number

To make sure that you have the correct service parts diagrams, you must verify the serial number of your UX80 Projector. When mounted, the projector serial number will be visible on the top of the projector or it is also located behind the input/output panel cover. An example of the serial number format is shown below.

Projector Serial Number Location



**B011EL13M0132**

Unique Projector Serial Number

Projector Serial Number Location  
(will be visible with the input/output cover removed)

## Ordering Parts

### Customers

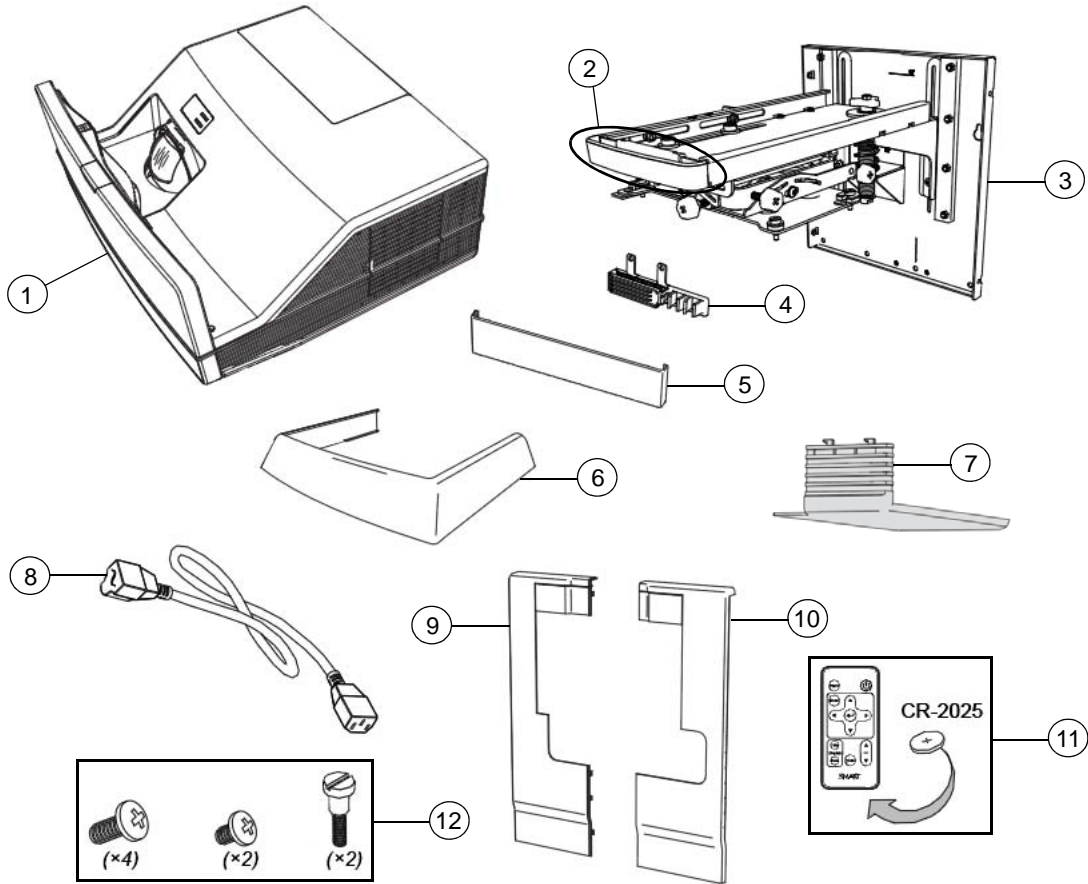
To order any of the parts in these service parts diagrams, contact your local reseller. To find a reseller near you, visit [www.smarttech.com/where](http://www.smarttech.com/where).

### Dealers and Distributors

For specific technical and pricing enquiries in regards to these diagrams please contact our service parts department. Pricing is also available on-line via the SOURCE website ([source.smarttech.com](http://source.smarttech.com)).

Web Form: [www.smarttech.com/contactserviceparts](http://www.smarttech.com/contactserviceparts)  
Phone: 1.888.42.SMART  
International: +1.403.245.0333

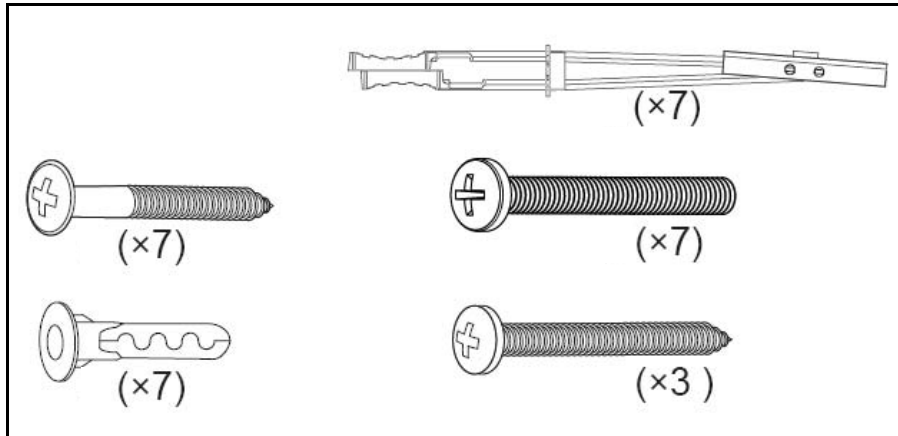
# UX80 Parts



Item	Part No.	Qty	Description
1	FRU-UX80-PJR	1	FRU, UX80 projector only
2	1017516	1	Cap, cosmetic, boom
3	1016782	1	Assembly, adjustment module, WXGA <b>NOTE:</b> Includes adjustment module and item 2.
4	52-00651-20	1	Clip, wire management, wall plate
5	1017166	1	Cover, cable
6	1017682	1	Cover, adjustment module
7	1020038	1	Cover, input/output panel, projector <b>NOTE:</b> Comes attached to the projector.
8	93-00630-20	1	Cable, power, North America, 14' 9" (4.5 m)
8	93-00632-20	1	Cable, power, United Kingdom, 14' 9" (4.5 m)
8	93-00631-20	1	Cable, power, Europe, 14' 9" (4.5 m)
8	93-00629-20	1	Cable, power, Australia, 14' 9" (4.5 m)
8	93-00634-20	1	Cable, power, Japan, 14' 9" (4.5 m)
8	93-00633-20	1	Cable, power, China, 14' 9" (4.5 m)
8	93-00670-20	1	Cable, power, Korea, 14' 9" (4.5 m)

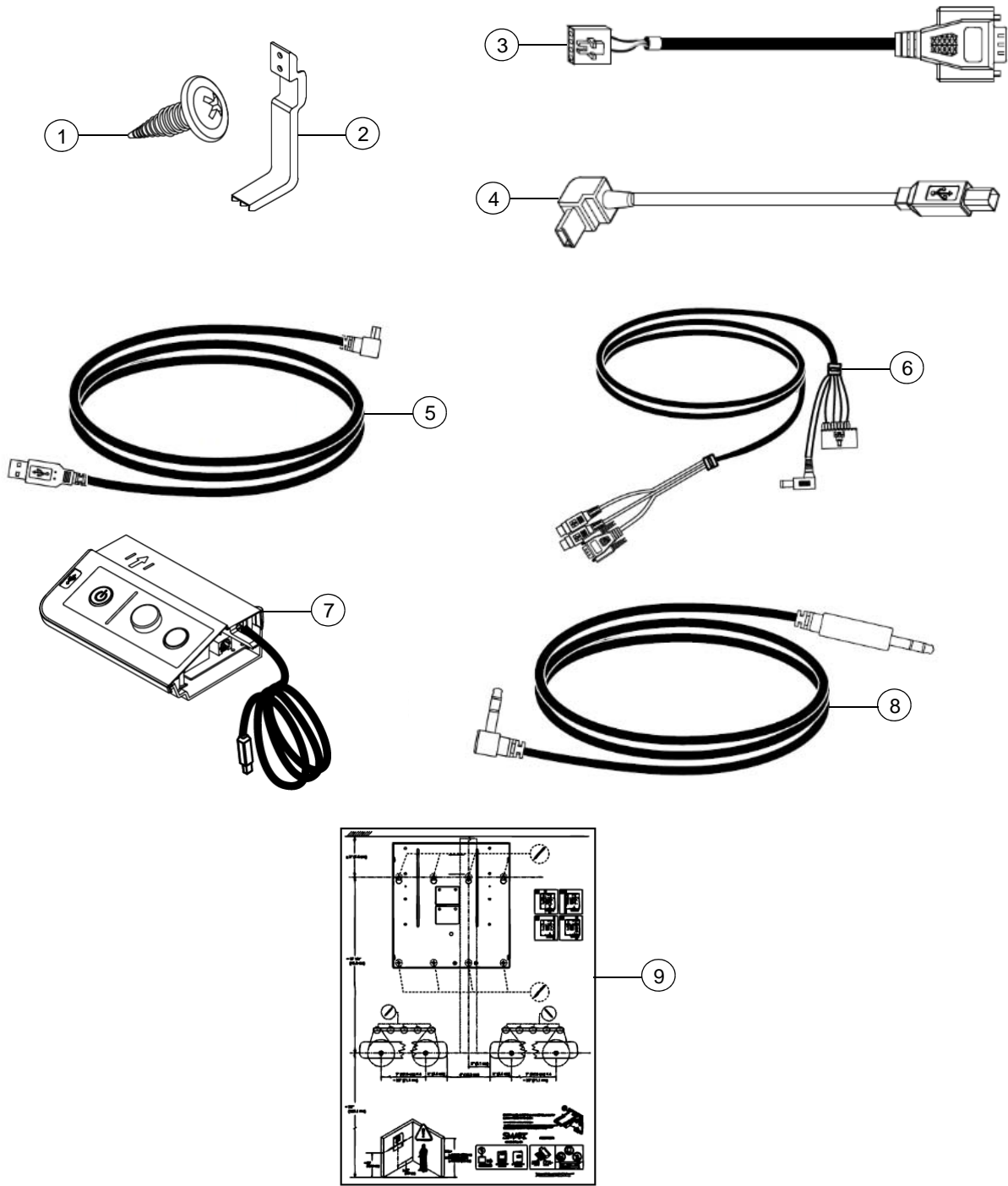
9	1017164	1	Cover, wall plate, left
10	1017163	1	Cover, wall plate, right
11	03-00131-20	1	Remote control <b>NOTE: CR-2025 battery not included with replacement remotes.</b>
12	1018395	1	Assembly, hardware kit
Not shown	1019270	1	Door, lamp cover, projector, UX80 <b>NOTE: Comes attached to the projector.</b>
Not shown	1018740	1	Replacement Lamp for UX80 Projector

**Optional Mounting Hardware Kit Assembly (Part No. 20-01623-20)**





# Assembly, SB885ix2 Cables and Hardware for SB885 Retrofit Kit (Part No. 1020131)



Item	Part No.	Qty	Description
1	30-00934	2	Screw, No. 8 x 9/16", trim, Phillips, wafer head
2	52-00731-20	1	Bracket, support, master control panel (MCP)
3	SBX8-CTRL	1	SBX8 Series Control Cable
4	1016373	1	Cable, right angle USB Mini-B to USB B, 6" (15 cm)

5	93-00807-20	1	Cable, right angle USB Mini-B to USB A, 16'5" (5.0 m)
6	93-00815-21	1	Cable, harness, master control panel (MCP), 9'6" (2.9 m)
7	FRU-MODULE-ECP-SBX8	1	FRU, extended control panel pen tray module, SBX8
8	1019686	1	Cable, audio, right angle 3.5 mm male to 3.5 mm male, 13'5" (4.1 m)
9	1018346	1	Template, mounting, UX80