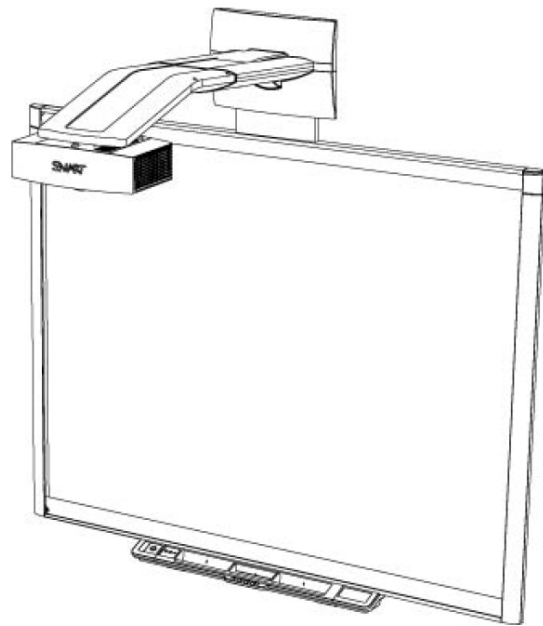


SMART™



Service Parts Diagrams

**For Model:
UF65-SB800
UF65w-SB800**

Service Parts Diagrams Revision History

Revision 1 - March, 2011

- New document

Revision 2 - July, 2011

- Add FRU-UF65-PJR, FRU-UF65w-PJR, FRU-MODULE-ECP-SBX8 and 52-00767-20
- Adjust lamp to a 1000 hour/one year warranty
- Remove 20-01304-21 and 20-01306-21

Standard Warranty Terms

The projector and extended control panel (ECP) have a three-year limited equipment warranty. The UF65/UF65w projector lamp has a 1000 hour/one year warranty.

First Customer Ship: December, 2010

SMART Technologies

3636 Research Road NW
Calgary, AB T2L 1Y1
CANADA

Support +1.403.228.5940 or Toll Free 1.866.518.6791 (Canada/U.S.)

Support Fax +1.403.806.1256

ServiceParts@smarttech.com www.smarttech.com

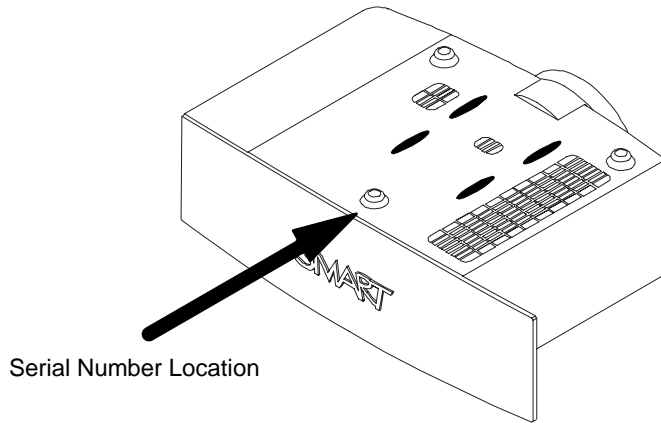


Service Parts Diagrams for the UF65-SB800 and UF65w-SB800

- Identifying Your Product Using the Serial Number 1
- Ordering Parts 1
- UF65/UF65w Mount 2
- UF65/UF65w Projector 4
- FRU, Extended Connection Panel Kit, SBX800i4 (Part No. FRU-ECP-SBX800I4) 5
- Optional SBX8 Series Control Cable (Part No. SBX8-CTRL) 6

Identifying Your Product Using the Serial Number

To make sure that you have the correct service parts diagrams, you must verify the serial number of your UF65/UF65w Projector. When mounted on the boom the serial number will be visible on the top of the projector. An example of the serial number format is shown below.



B012CE25E0117

Unique Serial Number

Ordering Parts

Customers

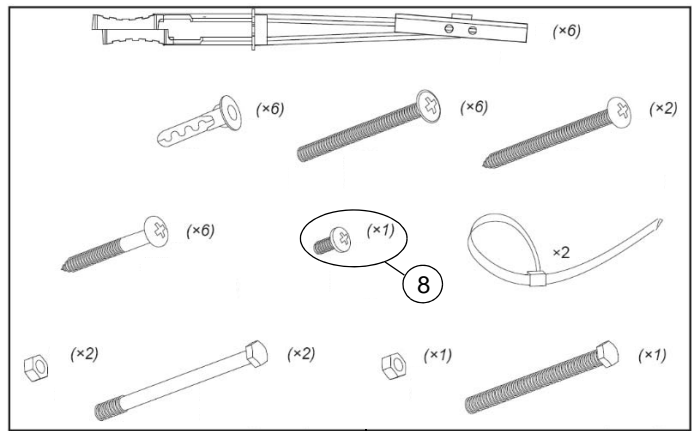
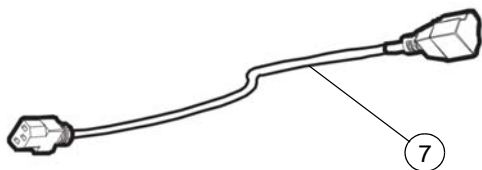
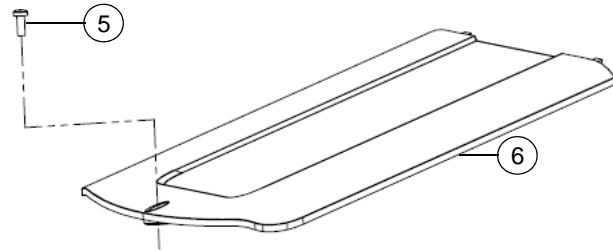
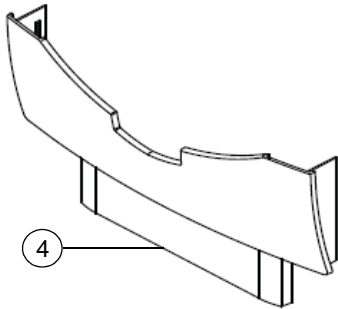
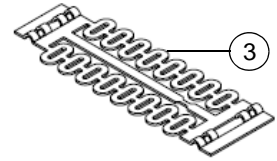
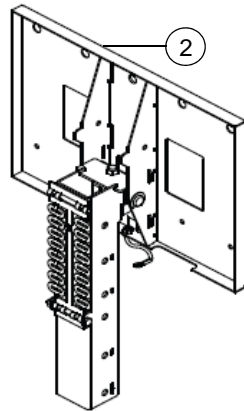
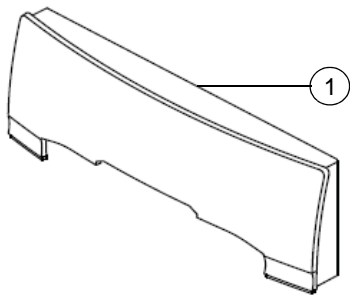
To order any of the parts in these service parts diagrams, contact your local reseller. To find a reseller near you, visit www.smarttech.com/where.

Dealers and Distributors

For specific technical and pricing enquiries in regards to these diagrams please contact our service parts department. Pricing is also available on-line via the SOURCE website (source.smarttech.com).

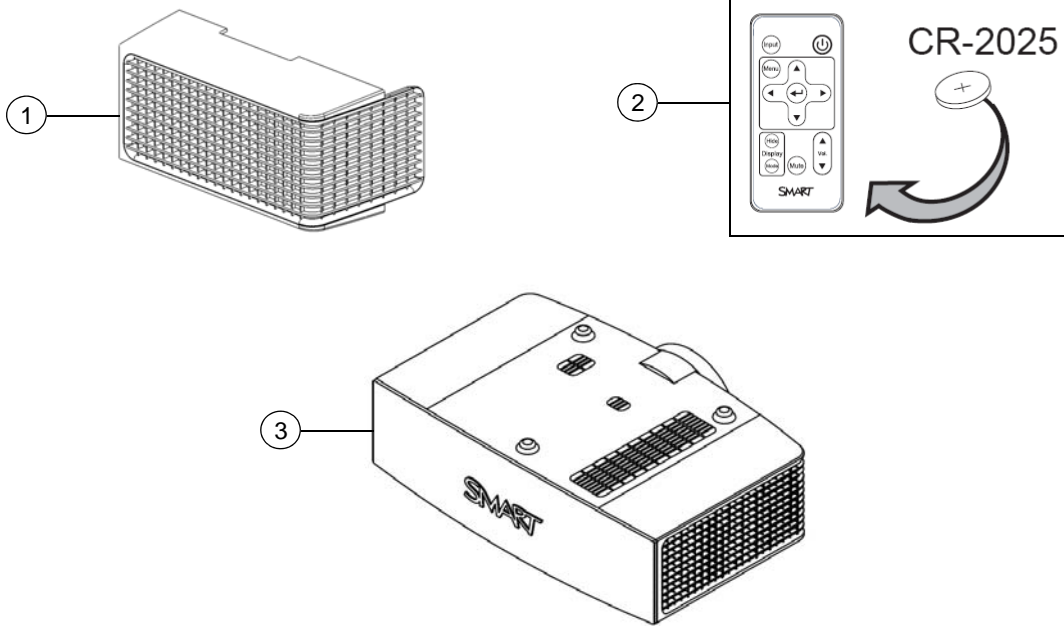
E-mail: serviceparts@smarttech.com
Phone: 1.888.42.SMART
International: +1.403.245.0333

UF65/UF65w Mount



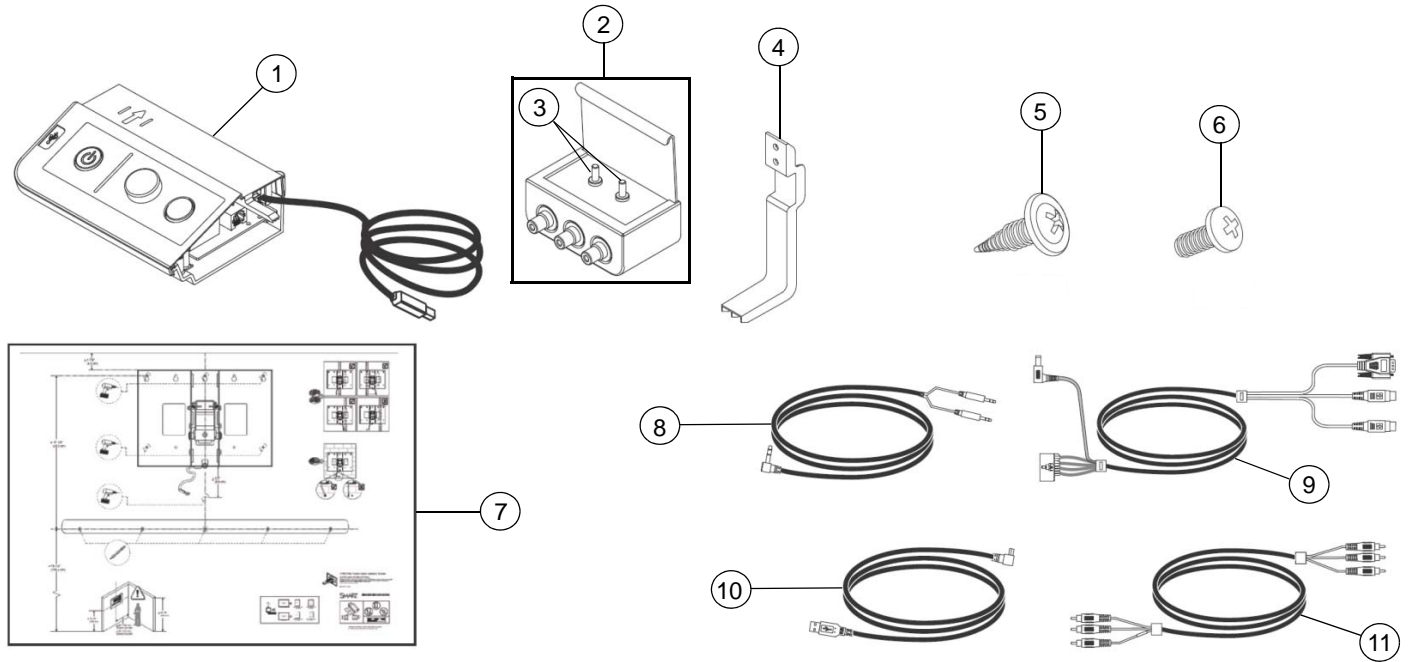
Item	Part No.	Qty	Description
1	52-00611-20	1	Base, upper wall
2	20-01016-23	1	Assembly, boom, rear
3	51-00735-21	1	Strap, limit NOTE: Contact Technical Support to discuss replacement.
4	52-00612-20	1	Base, lower wall
5	30-01190-20	1	Screw, M4 x 12 mm, Phillips, pan head
6	52-00605-20	1	Access door, projector position adjustment
7	93-00630-20	1	Cable, power, North America, 14' 9" (4.5 m)
7	93-00632-20	1	Cable, power, United Kingdom, 14' 9" (4.5 m)
7	93-00631-20	1	Cable, power, Europe, 14' 9" (4.5 m)
7	93-00629-20	1	Cable, power, Australia, 14' 9" (4.5 m)
7	93-00634-20	1	Cable, power, Japan, 14' 9" (4.5 m)
7	93-00633-20	1	Cable, power, China, 14' 9" (4.5 m)
7	93-00670-20	1	Cable, power, Korea, 14' 9" (4.5 m)
8	30-01177-20	1	Screw, M5 x 10 mm, Phillips, pan head NOTE: For attaching the projector to the boom.
9	20-01324-21	1	Kit, mounting hardware, UF65/UF65w

UF65/UF65w Projector



Item	Part No.	Qty	Description
1	52-00633-20	1	Cover, cable, UF65/UF65w projector NOTE: Comes attached to the UF65/UF65w projector.
2	03-00131-20	1	Remote control NOTE: Battery not included with replacement remotes.
3	FRU-UF65-PJR	1	FRU, UF65 projector only NOTE: Includes projector and items 1, 2.
3	FRU-UF65w-PJR	1	FRU, UF65w projector only NOTE: Includes projector and items 1, 2.
Not shown	52-00767-20	1	Door, lamp cover, UF55, UF65 NOTE: Comes attached to the UF65/UF65w projector.
Not shown	20-01032-20	1	Replacement Lamp for UF65 and UF65w Projectors

FRU, Extended Connection Panel Kit, SBX800i4 (Part No. FRU-ECP-SBX800I4)



Item	Part No.	Qty	Description
1	FRU-MODULE-ECP-SBX8	1	FRU, extended control panel pen tray module, SBX8
2	20-01355-20	1	Assembly, master control panel (MCP), RCA connector pod NOTE: Includes two pieces of item 3.
3	30-01284-20	2	Screw, M4 x 16 mm, pelatized, hex, button head
4	52-00731-20	1	Bracket, support, master control panel (MCP)
5	30-00934	2	Screw, No. 8 x 5/16", trim, Phillips, wafer head
6	30-01343-20	2	Screw, No. 4 x 3/8", Phillips, pan head, for plastics
7	99-01071-21	1	Template, mounting, UF65/UF65w
8	93-00811-20	1	Cable, audio, right angle 3.5 mm male to dual 3.5 mm male, 10'6" (3.2 m)
9	93-00809-20	1	Cable, harness, master control panel (MCP), 12'2" (3.7 m)
10	93-00807-20	1	Cable, right angle USB Min-B to USB A, 16'5" (5.0 m)
11	93-00817-20	1	Cable, triple RCA to triple RCA, 12'2" (3.7 m)

Optional SBX8 Series Control Cable (Part No. SBX8-CTRL)

