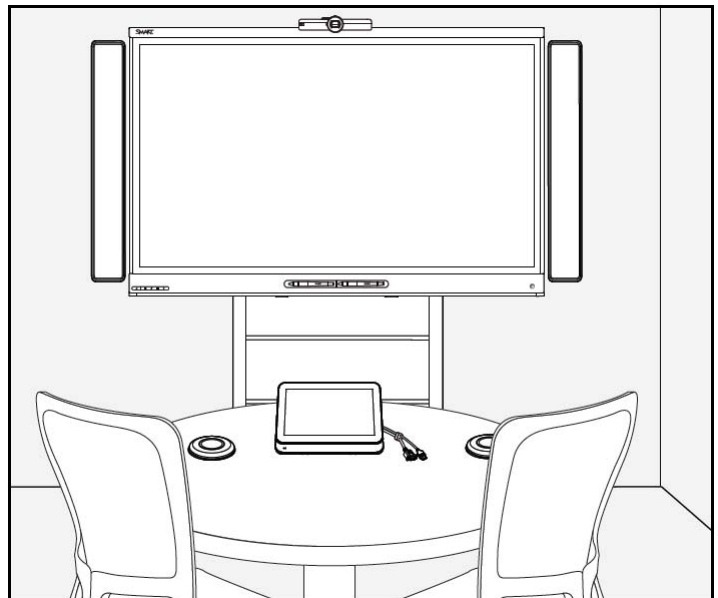


# SMART<sup>®</sup>



## *Service Parts Diagrams*

**For Model:**

**SRS-LYNC-S-G5**

**(with SBID8065i-G5 display)**

# Service Parts Diagrams Revision History

## Revision 1 - May, 2015

- New document

## Standard Warranty Terms

Base product: Two-year limited equipment warranty

First Customer Ship: June, 2015

---

**SMART Technologies**

3636 – Research Road NW

Calgary, AB T2L 1Y1

CANADA

Support +1.403.228.5940 or Toll Free 1.866.518.6791 (Canada/U.S.)

Support Fax +1.403.806.1256

[www.smarttech.com/contactserviceparts](http://www.smarttech.com/contactserviceparts) [www.smarttech.com](http://www.smarttech.com)

The SMART logo is rendered in a bold, black, sans-serif font. The letters are thick and closely spaced, with a registered trademark symbol (®) positioned at the bottom right of the word.

# Service Parts Diagrams for the SRS-LYNC-S-G5

---

Identifying Your Product Using the Serial Number .....	1
Ordering Parts .....	1
SBID8065i-G5-SMP Parts .....	2
Speaker Parts .....	3
Camera Parts .....	4
Assembly, Cable and Accessories, SRS-Lync-X (Part No. 1019885) .....	5
Control Panel Parts .....	6
Monaural Audio System Parts .....	7
Wall Mount (Part No. WM-SBID-501) .....	8
Appliance Module Enclosure Parts .....	9
Assembly, Accessory Bracket Kit, SRS-ACC-BK-2 (Part No. 1026454) .....	10
Optional Wall Stand Kit for Single Integrated Flat Panel (Part No. WSK-SINGLE) .....	11



## Identifying Your Product Using the Serial Number

Each of the major components of your room system has a serial number:

Component	Serial number location
Interactive flat panel	Right underside of the display <b>NOTES:</b> - When requesting technical support, provide SMART support with the interactive panel's serial number. - You can also access the interactive flat panel's serial number from the on-screen display menu.
Lync appliance	Wide side of the Lync appliance
Console	Back of the console
Camera	Top of the camera beside the service light
Table microphones	Bottom of each microphone
Audio processor	Narrow side of the audio processor
Speakers	Back of each speaker

## Ordering Parts

### Customers

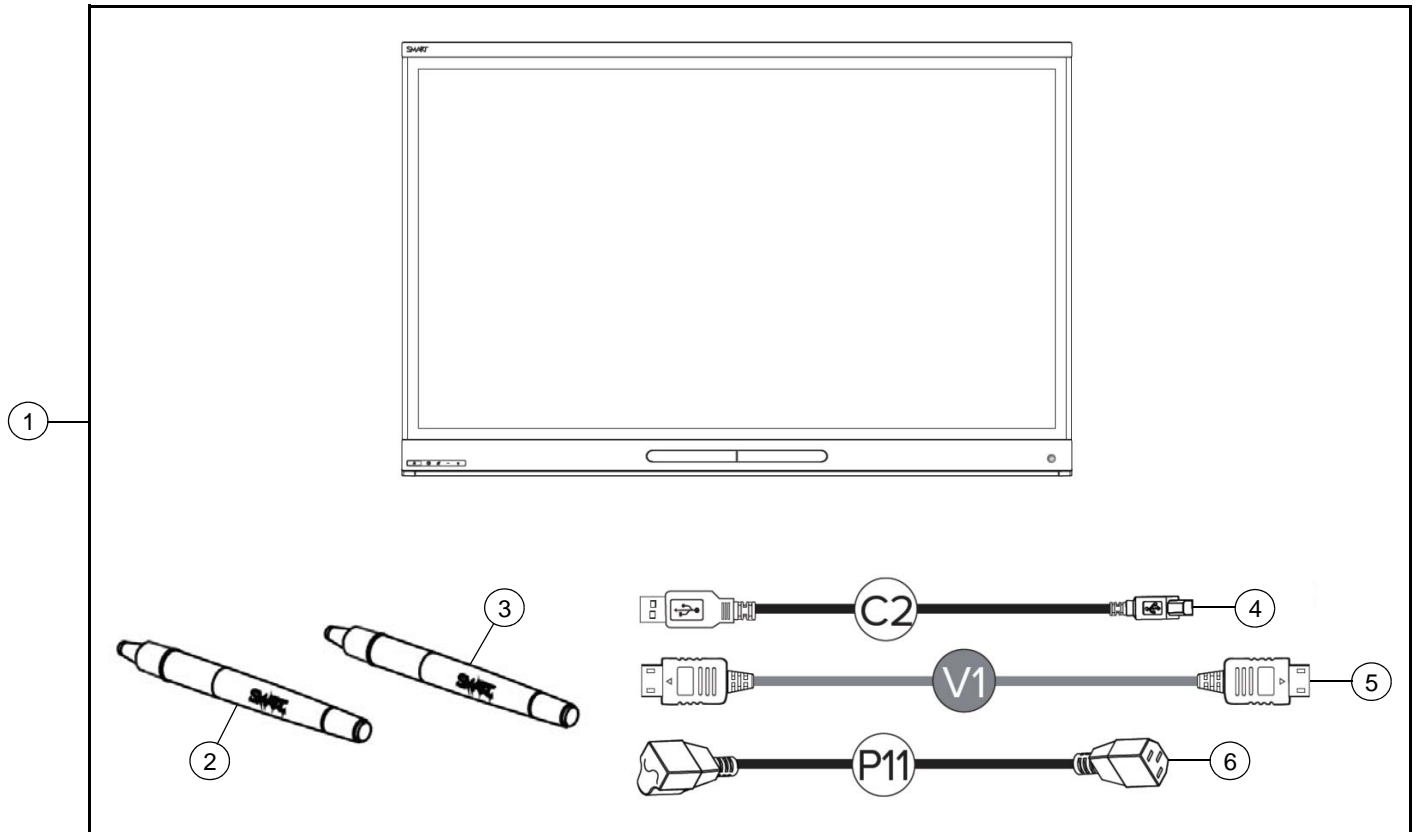
To order any of the parts in these service parts diagrams, contact your local reseller.  
To find a reseller near you, visit [www.smarttech.com/where](http://www.smarttech.com/where).

### Dealers and Distributors

For specific technical and pricing enquiries in regards to these diagrams please contact our service parts department.  
Pricing is also available on-line via the SOURCE website ([source.smarttech.com](http://source.smarttech.com)).

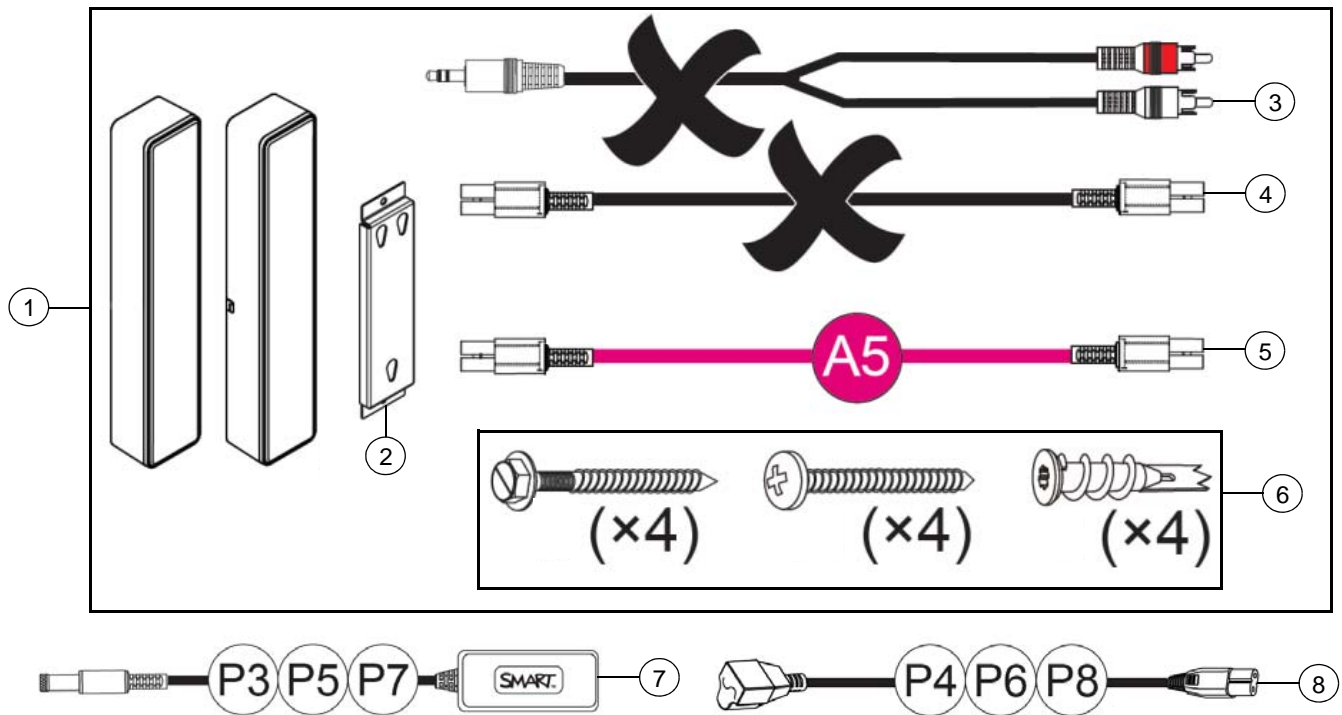
Web Form: [www.smarttech.com/contactserviceparts](http://www.smarttech.com/contactserviceparts)  
Phone: 1.888.42.SMART  
International: +1.403.245.0333

## SBID8065i-G5-SMP Parts



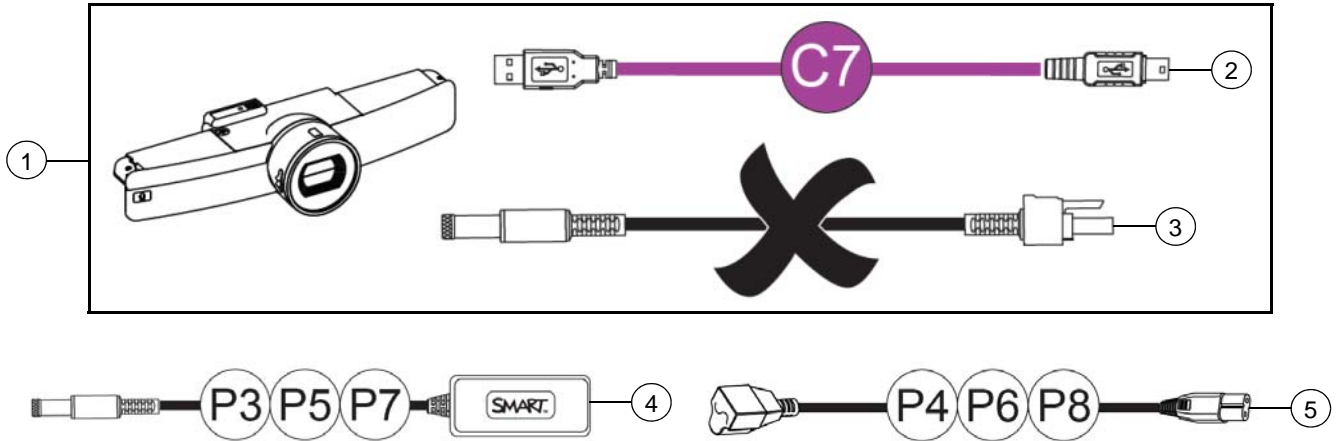
Item	Part No.	Qty	Description
1	SBID8065i-G5-SMP	1	SMART Board 65" interactive flat panel <b>NOTE: When replacing the display the dual lock tape kit (part number 1026970 shown on page 10) will also be required.</b>
2	1025924	1	Replacement Pen for SPNL-6000 Series and SBID8000-G5 Series - Red
3	1025925	1	Replacement Pen for SPNL-6000 Series and SBID8000-G5 Series - Black
4	93-00828-20	1	Cable, USB, A-B, 16' (5.0 m)
5	1019416	1	Cable, HDMI male to HDMI male, 20' 8" (6.3 m)
6	1022063	1	Cable, power, North America, 8' (2.4 m)
6	93-055	1	Cable, power, United Kingdom, 8' (2.4 m)
6	93-056	1	Cable, power, Australia, 8' (2.4 m)
6	93-054	1	Cable, power, Europe, 8' (2.4 m)
6	93-00708-20	1	Cable, power, China, 8' (2.4 m)
6	93-00654-20	1	Cable, power, Japan, 8' (2.4 m)

## Speaker Parts



Item	Part No.	Qty	Description
1	1017846	1	Assembly, speakers, CSR500
2	1021019	2	Assembly, mounting bracket kit, CSR500
3	1019133	1	Cable, audio, 3.5 mm male to dual RCA male, 1' 7" (50 cm) <b>NOTE:</b> Not used in a SRS-Lync-S-G5 installation.
4	1019134	1	Cable, power, 1' 7" (50 cm) <b>NOTE:</b> Not used in a SRS-Lync-S-G5 installation.
5	1019132	1	Cable, audio, left to right speaker, 16' (5.0 m)
6	1021002	1	Assembly, hardware, kit, CSR500
7	1023793	1	Power supply, 19V DC, 3.0A, universal switching
8	93-00592-20	1	Cable, power, North America, 6' 6" (2.0 m)
8	93-00542-20	1	Cable, power, Europe, 6' 6" (2.0 m)
8	93-00543-20	1	Cable, power, United Kingdom, 6' 6" (2.0 m)
8	93-00806-20	1	Cable, power, China, 6' 6" (2.0 m)
8	93-00576-20	1	Cable, power, Australia, 6' 6" (2.0 m)
8	1023214	1	Cable, power, Japan, 6' 6" (2.0 m)

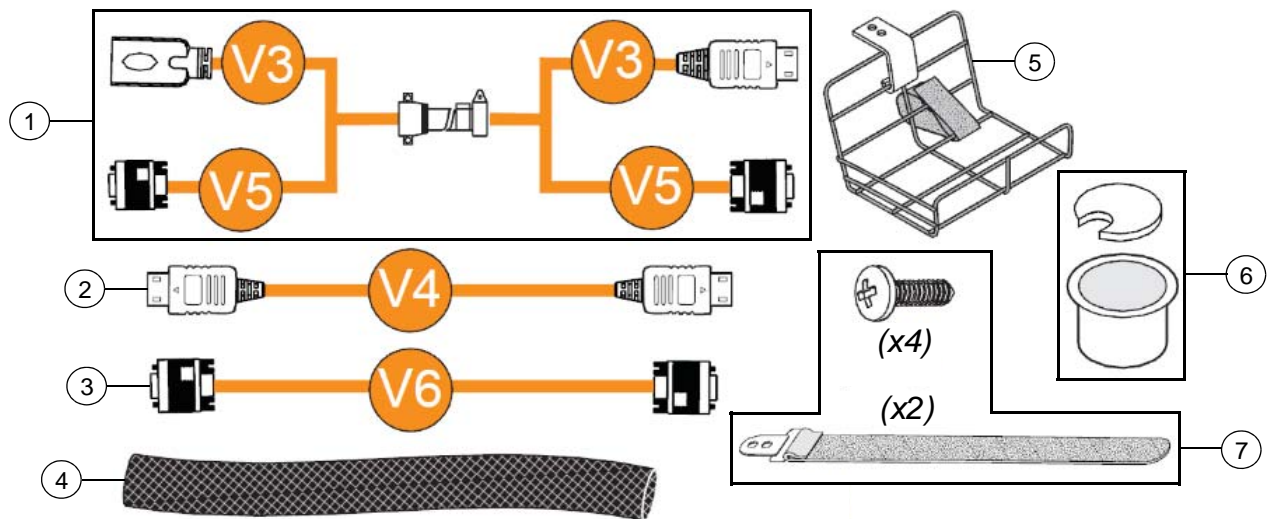
## Camera Parts



Item	Part No.	Qty	Description
1	1019674	1	Assembly, camera, CAM301 <b>NOTE: When replacing cameras the dual lock tape kit (part number 1026970 shown on page 10) will also be required.</b>
2	1020902	1	Cable, USB A to USB Mini-B, 9' 10" (3.0 m)
3	1020900	1	Cable, power, 4' 7" (1.4 m) <b>NOTE: Not used in a SRS-Lync-S-G5 installation.</b>
4	1023793	1	Power supply, 19V DC, 3.0A, universal switching
5	93-00592-20	1	Cable, power, North America, 6' 6" (2.0 m)
5	93-00542-20	1	Cable, power, Europe, 6' 6" (2.0 m)
5	93-00543-20	1	Cable, power, United Kingdom, 6' 6" (2.0 m)
5	93-00806-20	1	Cable, power, China, 6' 6" (2.0 m)
5	93-00576-20	1	Cable, power, Australia, 6' 6" (2.0 m)
5	1023214	1	Cable, power, Japan, 6' 6" (2.0 m)

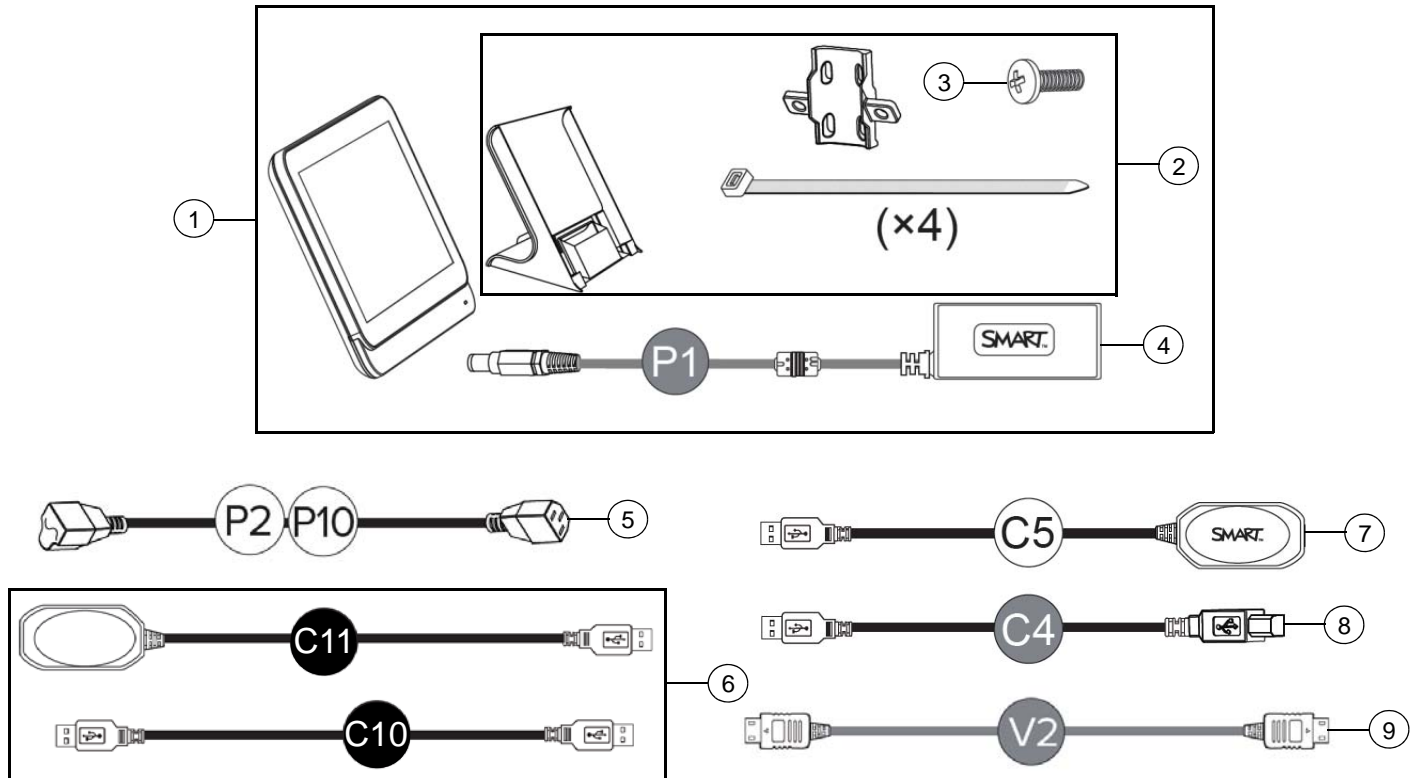


## Assembly, Cable and Accessories, SRS-Lync-X (Part No. 1019885)



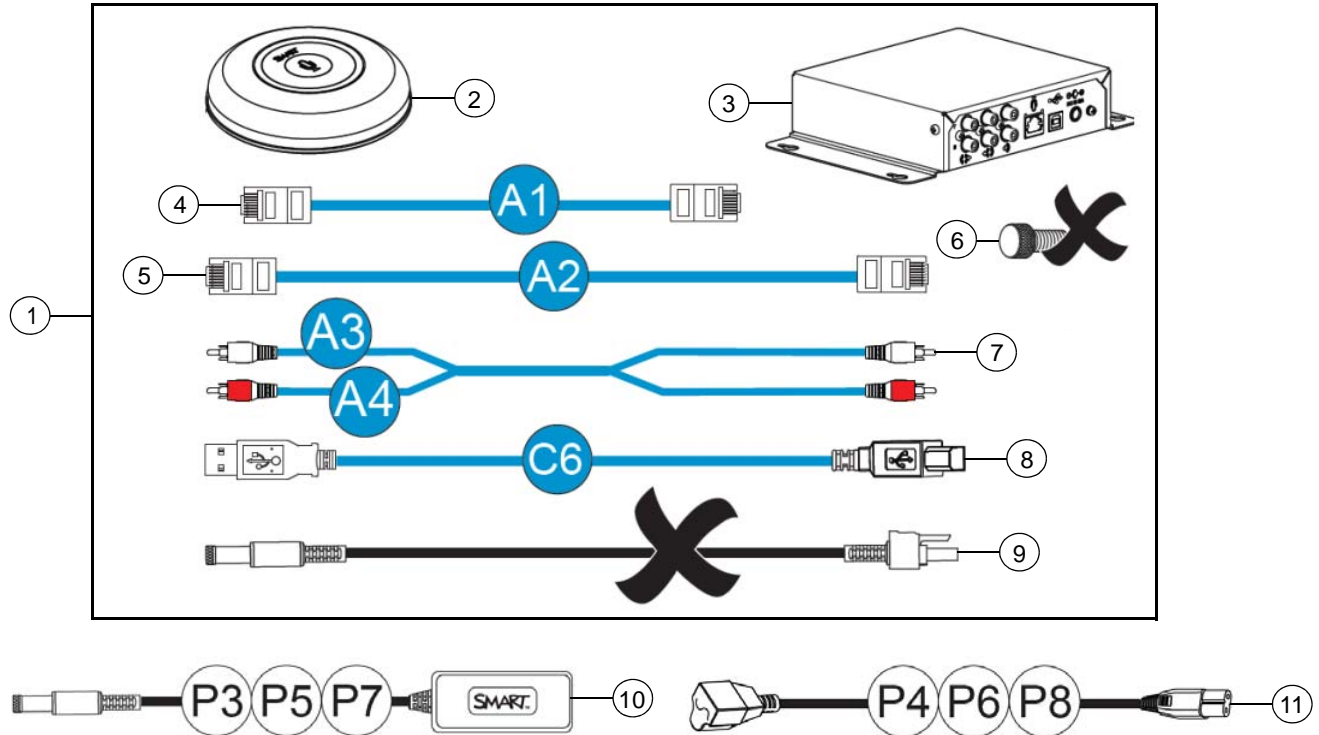
Item	Part No.	Qty	Description
1	1019403	1	Cable, extension, HDMI/HD15 female to HDMI/HD15 male, 9' 10" (3.0 m)
2	1019404	1	Cable, HDMI male to HDMI male, 20' 8" (6.3 m)
3	1019406	1	Cable, video, HD15 male to HD15 male, 20' 8" (6.3 m)
4	1021043	1	Expandable braided sleeve, 1" (2.5 cm) outside diameter, 3' 11" (1.2 m) long, black
5	1020505	1	Assembly, tray, cable, wire
6	1020504	1	Grommet, table
7	1020506	1	Assembly, strap, cable, Velcro, 3/4" (2 cm) x 1' (30.5 cm)

## Control Panel Parts



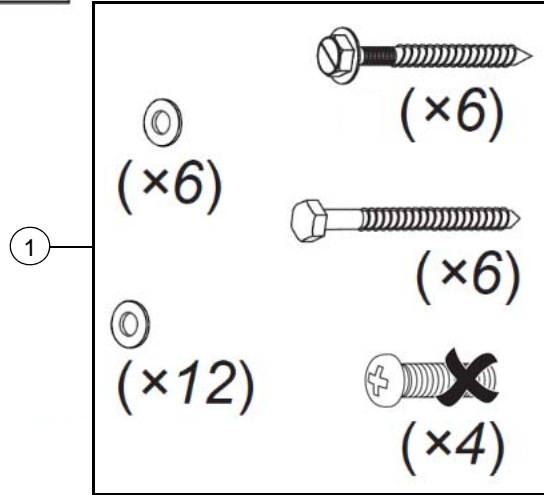
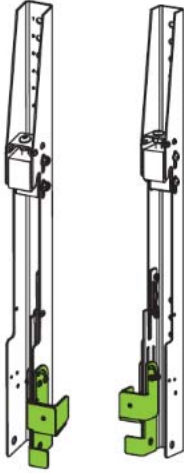
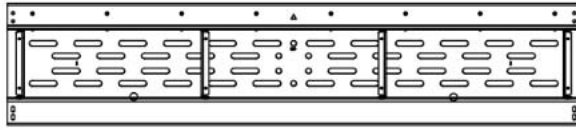
Item	Part No.	Qty	Description
1	1018288	1	Assembly, control panel, CP311
2	1021194	1	Assembly, FRU, stand, CP311 <b>NOTE:</b> Includes 4 pieces of item 3.
3	1020230	4	Screw, M4 x 8 mm, Phillips, pan head
4	1019669	1	Power supply, 12V DC, 3.33A, universal switching
5	1022063	1	Cable, power, North America, 8' (2.4 m)
5	93-055	1	Cable, power, United Kingdom, 8' (2.4 m)
5	93-056	1	Cable, power, Australia, 8' (2.4 m)
5	93-054	1	Cable, power, Europe, 8' (2.4 m)
5	93-00708-20	1	Cable, power, China, 8' (2.4 m)
5	93-00654-20	1	Cable, power, Japan, 8' (2.4 m)
6	1024293	1	Assembly, SRS-USB-BRIDGE, Interactive Sharing Cable Only
7	USB-XT	1	USB active extension cable 16' (5.0 m)
8	1019521	1	Cable, USB, A-B, 4' 3" (1.3 m)
9	1019416	1	Cable, HDMI male to HDMI male, 20' 8" (6.3 m)

## Monaural Audio System Parts



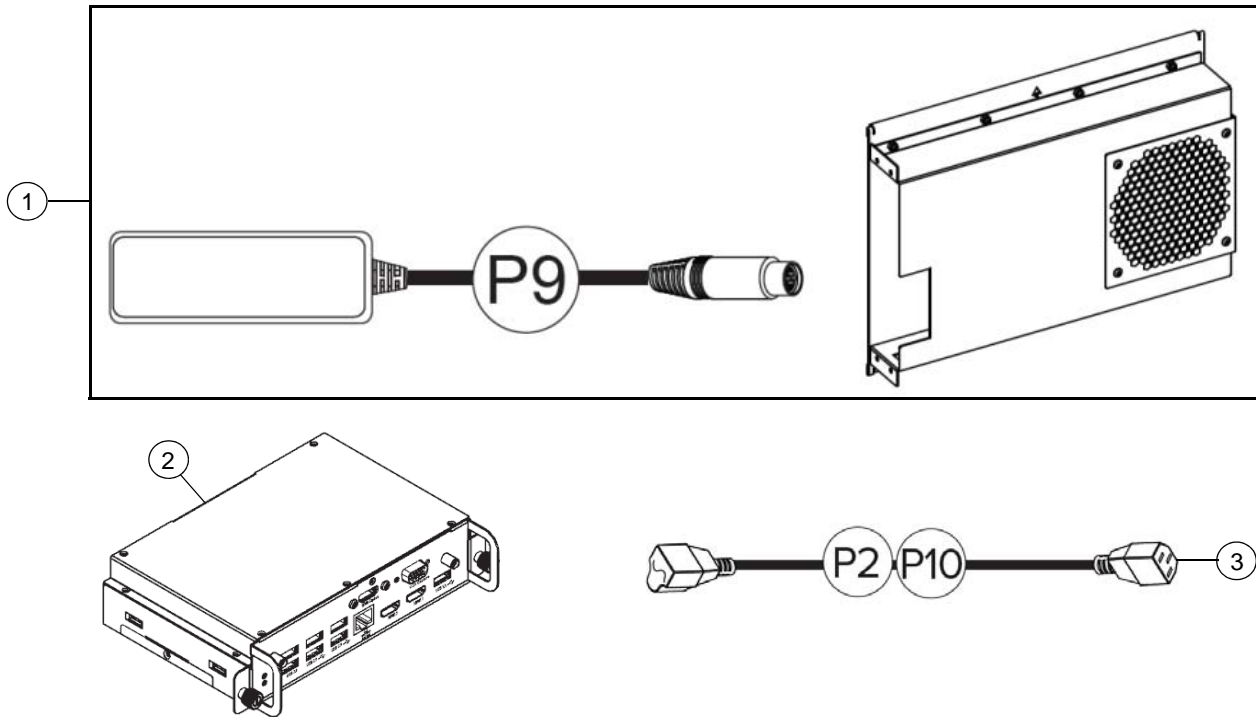
Item	Part No.	Qty	Description
1	1018285	1	Assembly, monaural audio system
2	MIC500	2	Microphone for SMART Room System <b>NOTE:</b> Includes item 4.
3	1018756	1	Assembly, FRU, Processor, Monaural Audio, MIX500
4	1019752	1	Cable, RJ45 to RJ45, 13' 1" (4.0 m)
5	1019739	1	Cable, RJ45 to RJ45, 29' 6" (9.0 m)
6	1019440	4	Screw, thumb, M4 x 5 mm, Phillips <b>NOTE:</b> Not used in a SRS-Lync-S-G5 installation.
7	1020352	1	Cable, audio, dual RCA to dual RCA, 6' (1.8 m)
8	1020351	1	Cable, USB, A-B, 6' (1.8 m)
9	1020353	1	Cable, power, 1' 7" (50 cm) <b>NOTE:</b> Not used in a SRS-Lync-S-G5 installation.
10	1023793	1	Power supply, 19V DC, 3.0A, universal switching
11	93-00592-20	1	Cable, power, North America, 6' 6" (2.0 m)
11	93-00542-20	1	Cable, power, Europe, 6' 6" (2.0 m)
11	93-00543-20	1	Cable, power, United Kingdom, 6' 6" (2.0 m)
11	93-00806-20	1	Cable, power, China, 6' 6" (2.0 m)
11	93-00576-20	1	Cable, power, Australia, 6' 6" (2.0 m)
11	1023214	1	Cable, power, Japan, 6' 6" (2.0 m)

# Wall Mount (Part No. WM-SBID-501)



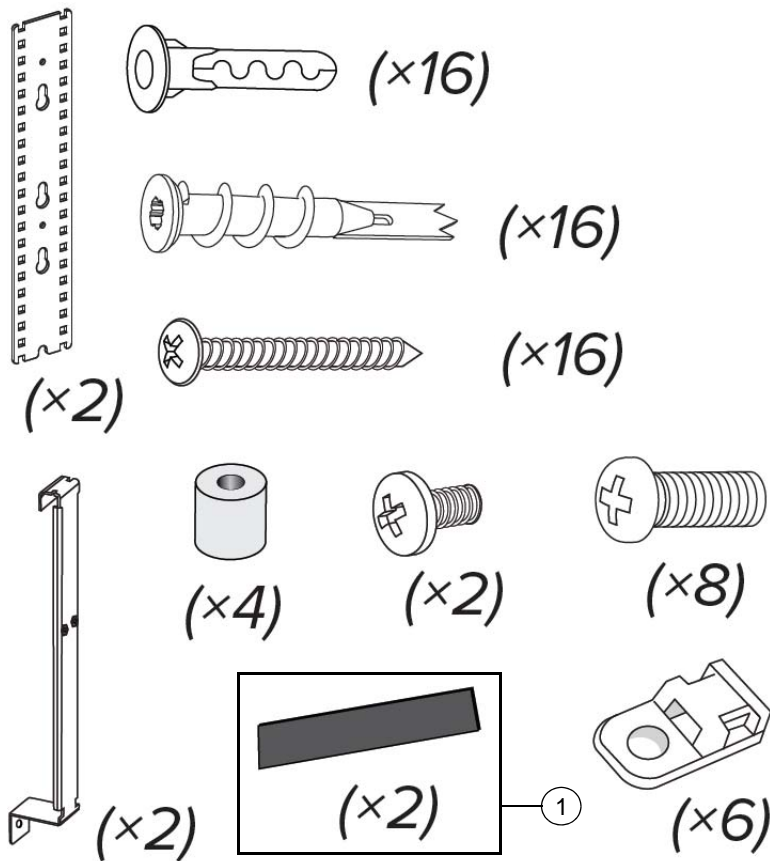
Item	Part No.	Qty	Description
1	1022216	1	Assembly, hardware, kit, WM-SBID-501/502 <b>NOTE: The four bolts included with this kit are not to be used for mounting the SBID8065i-G5 display. The shorter bolts included with the SRS-ACC-BK-2 bracket kit (part number 1026454 shown on page 10) should be used instead.</b>

## Appliance Module Enclosure Parts



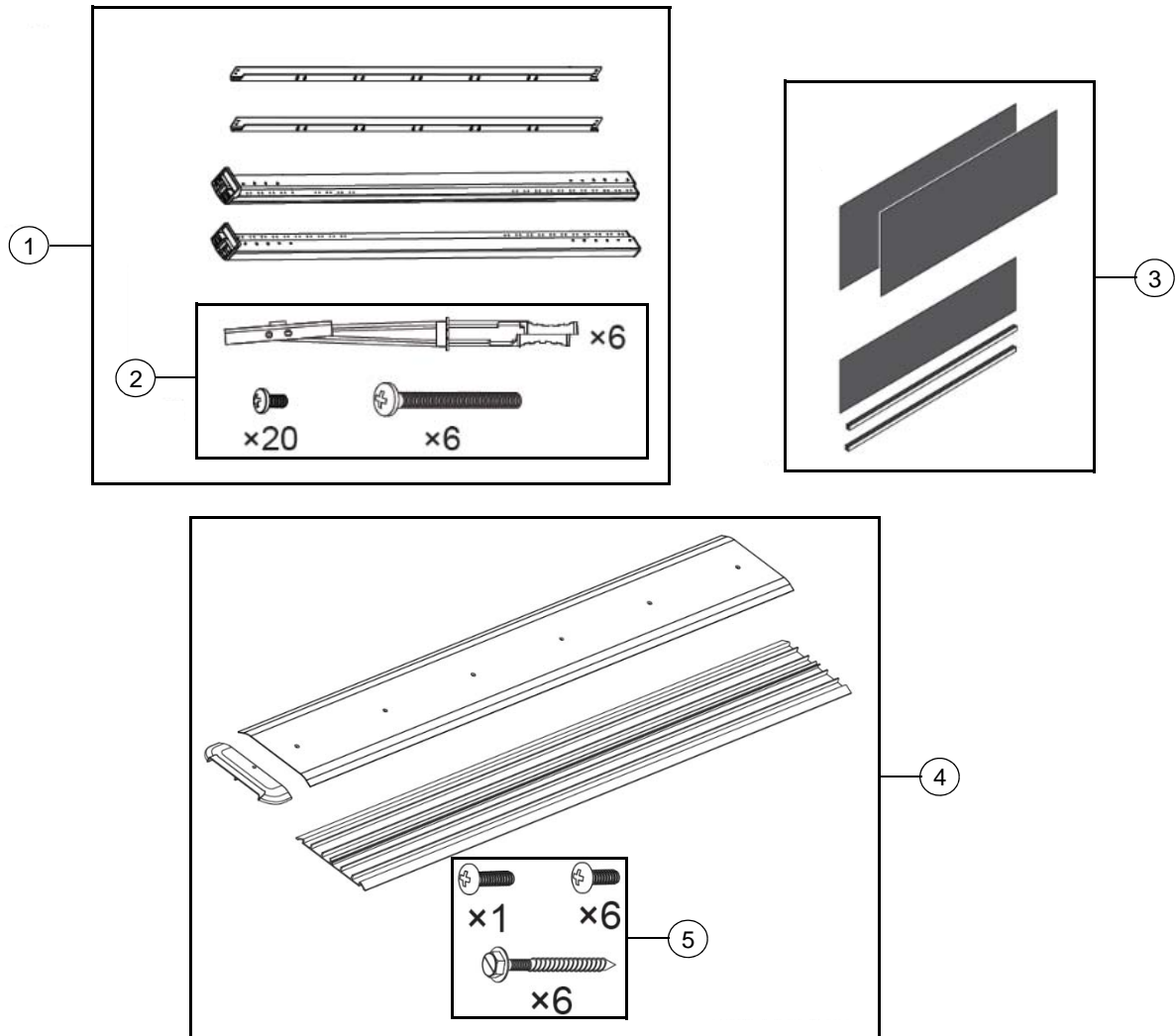
Item	Part No.	Qty	Description
1	1022896	1	Assembly, appliance module enclosure, AM-ENC-L
2	FRU-AM70-L	1	FRU, Computer, AM70-L
3	1022063	1	Cable, power, North America, 8' (2.4 m)
3	93-055	1	Cable, power, United Kingdom, 8' (2.4 m)
3	93-056	1	Cable, power, Australia, 8' (2.4 m)
3	93-054	1	Cable, power, Europe, 8' (2.4 m)
3	93-00708-20	1	Cable, power, China, 8' (2.4 m)
3	93-00654-20	1	Cable, power, Japan, 8' (2.4 m)

**Assembly, Accessory Bracket Kit, SRS-ACC-BK-2 (Part No. 1026454)**



Item	Part No.	Qty	Description
1	1026970	1	Kit, Tape Dual Lock, Reclosable Fastener

## Optional Wall Stand Kit for Single Integrated Flat Panel (Part No. WSK-SINGLE)



Item	Part No.	Qty	Description
1	1020547	1	Assembly, uprights, wall stand <b>NOTE:</b> Includes item 2.
2	1021347	1	Assembly, hardware, kit, WS-SBID-500
3	1020546	2	Assembly, panel, wall stand
4	1018900	1	Assembly, cable raceway, RW-500 <b>NOTE:</b> Includes item 5.
5	1021406	1	Assembly, hardware, kit, RW-500