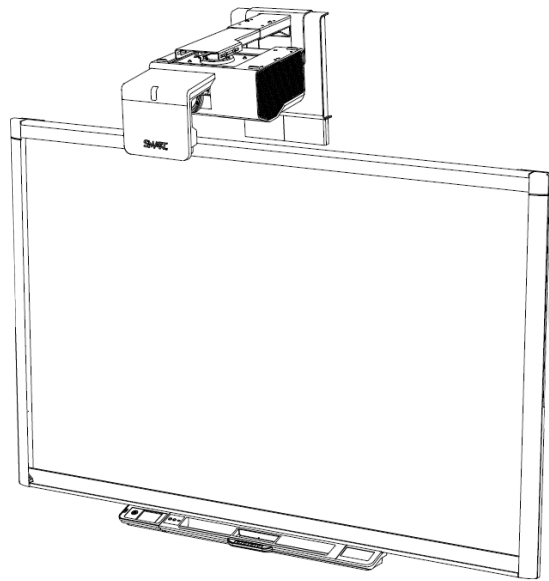


SMART™



Service Parts Diagrams

For Model:

SBX880i5e-MP

SBX885i5e-MP

Service Parts Diagrams Revision History

Revision 1 - October, 2011

- New document

Standard Warranty Terms

The projector and Appliance Control Panel (ACP) have a three-year limited equipment warranty. The appliance has a two-year limited equipment warranty. The UF75/UF75w projector lamp has a 1000 hour/one-year warranty. Your interactive whiteboard has a two-year limited equipment warranty or a five-year limited equipment warranty upon registration.

First Customer Ship: October, 2011

SMART Technologies

3636 Research Road NW

Calgary, AB T2L 1Y1

CANADA

Support +1.403.228.5940 or Toll Free 1.866.518.6791 (Canada/U.S.)

Support Fax +1.403.806.1256

ServiceParts@smarttech.com www.smarttech.com

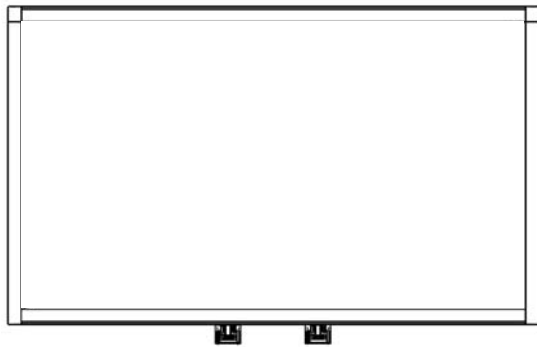


Service Parts Diagrams for the SBX880i5e-MP and SBX885i5e-MP

Identifying Your Product Using the Serial Number	1
Ordering Parts	1
UF75/UF75w Parts	2
SBX880 with Appliance (included with SBX880i5e-MP)	4
Rear View SBX880 with Appliance (included with SBX880i5e-MP)	6
SBX885 with Appliance (included with SBX885i5e-MP)	8
Rear View SBX885 with Appliance (included with SBX885i5e-MP)	10
Optional Composite Video Panel for SBX800 (Part No. SBX8-RCA)	12

Identifying Your Product Using the Serial Number

To make sure that you have the correct service parts diagrams, you must verify the serial number of your SMART Board X800 series interactive whiteboard with Appliance. The SMART Board serial number will be located on the side of the right hand bezel. When mounted, the projector serial number will be visible on the top of the projector. An example of the serial number format is shown below.

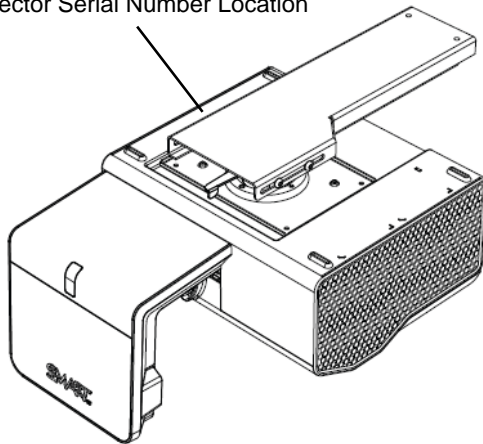


Product Model Number Unique Serial Number

SBE880-R2-xxxxxxx

SMART Board Serial Number Location

Projector Serial Number Location



B012DA22H0105

Unique Projector Serial Number

Ordering Parts

Customers

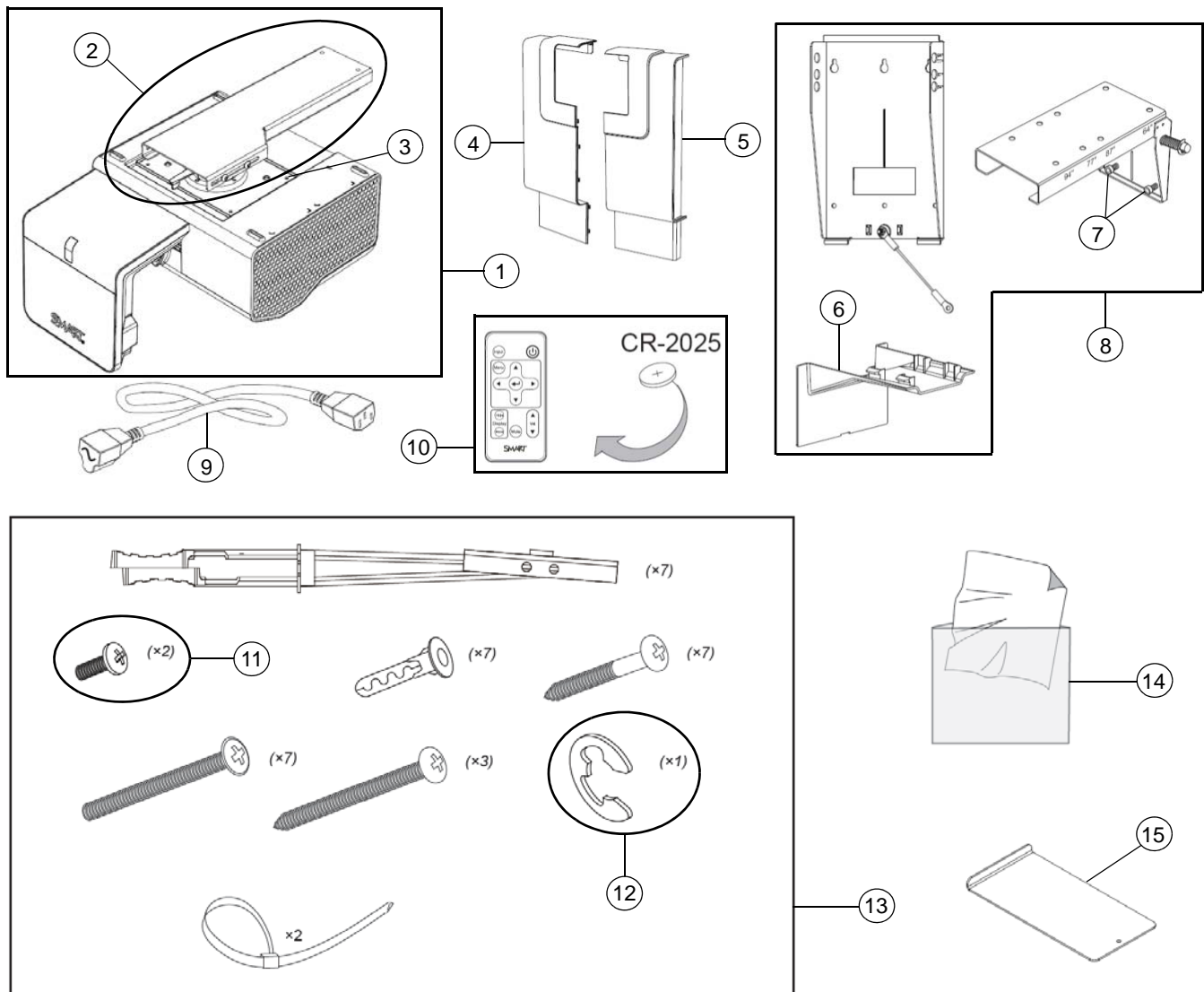
To order any of the parts in these service parts diagrams, contact your local reseller. To find a reseller near you, visit www.smarttech.com/where.

Dealers and Distributors

For specific technical and pricing enquiries in regards to these diagrams please contact our service parts department. Pricing is also available on-line via the SOURCE website (source.smarttech.com).

E-mail: serviceparts@smarttech.com
Phone: 1.888.42.SMART
International: +1.403.245.0333

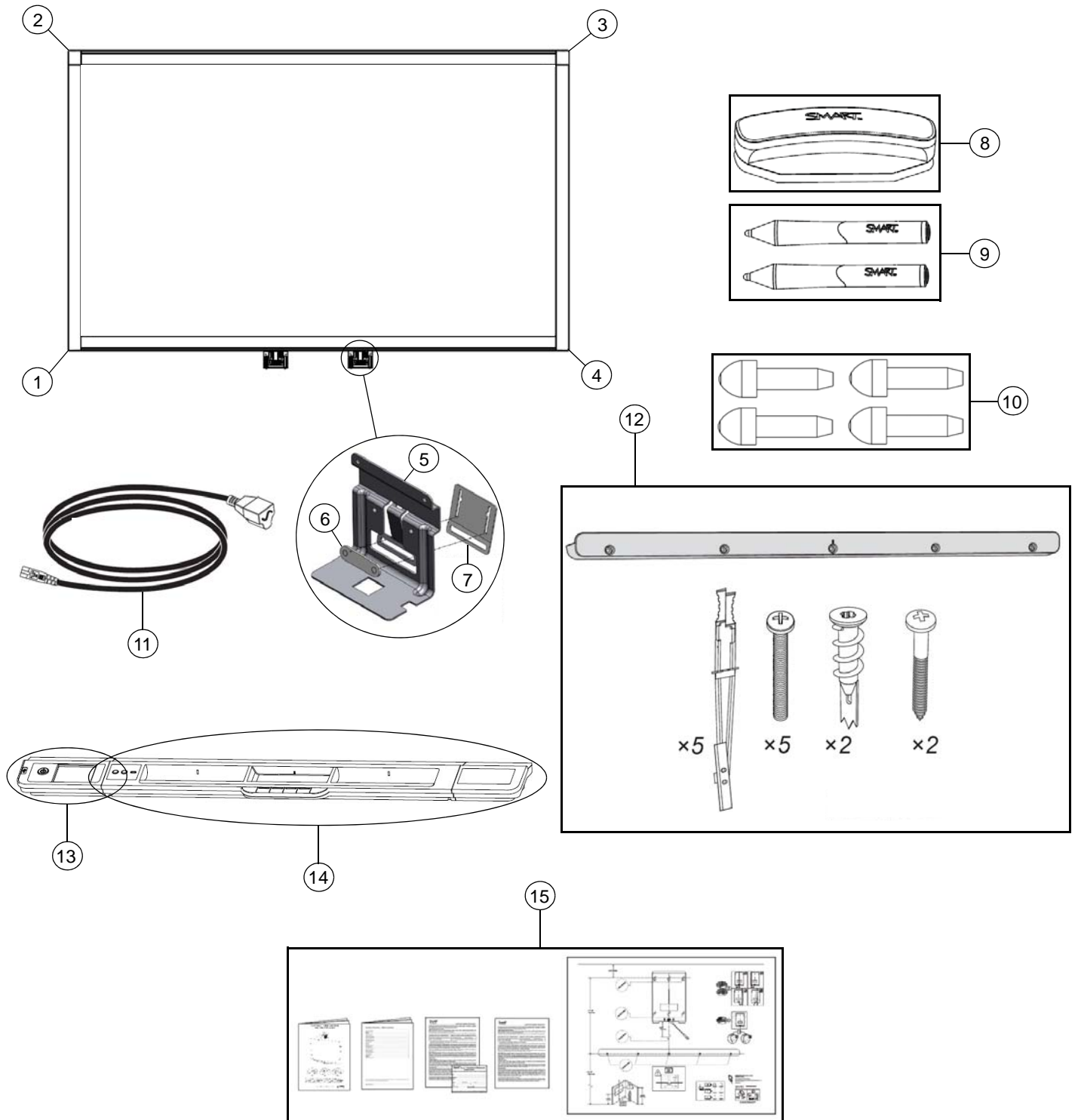
UF75/UF75w Parts



Item	Part No.	Qty	Description
1	FRU-UF75-PJR	1	FRU, UF75 projector only NOTE: Includes projector and items 2, 3.
1	FRU-UF75w-PJR	1	FRU, UF75w projector only NOTE: Includes projector and items 2, 3.
2	20-01393-20	1	Assembly, boom, front, UF75/UF75w NOTE: Comes attached to the UF75/UF75w projector.
3	30-01279-20	4	Screw, M4 x 8 mm, Phillips, pan head NOTE: For attaching item 2 to UF75/UF75w projector.
4	52-00752-20	1	Cover, wall mount, left, UF75/UF75w
5	52-00751-20	1	Cover, wall mount, right, UF75/UF75w
6	52-00762-20	1	Cover, wire, UF75/UF75w
7	30-01401-20	2	Screw, M6 x 35 mm, hex socket, cap head

8	20-01392-20	1	Assembly, boom, rear, UF75/UF75w NOTE: Includes items 6 and 7.
9	93-00630-20	1	Cable, power, North America, 14' 9" (4.5 m)
9	93-00632-20	1	Cable, power, United Kingdom, 14' 9" (4.5 m)
9	93-00631-20	1	Cable, power, Europe, 14' 9" (4.5 m)
9	93-00629-20	1	Cable, power, Australia, 14' 9" (4.5 m)
9	93-00634-20	1	Cable, power, Japan, 14' 9" (4.5 m)
9	93-00633-20	1	Cable, power, China, 14' 9" (4.5 m)
9	93-00670-20	1	Cable, power, Korea, 14' 9" (4.5 m)
10	03-00131-20	1	Remote control NOTE: Battery not included with replacement remotes.
11	30-01402-20	2	Screw, M6 x 12 mm, Phillips, button head NOTE: For attaching UF75/UF75w projector to rear boom assembly.
12	30-01379-20	1	E-clip, 1/2"
13	20-01395-20	1	Assembly, mounting hardware kit, UF75/UF75w
14	01-00273-20	1	Cloth, cleaning
15	20-01557-20	1	Assembly, spacer, boom mount, UF75/UF75w
Not shown	52-00765-20	1	Door, lamp cover, UF75/UF75w NOTE: Comes attached to the UF75/UF75w projector.
Not shown	20-01501-20	1	Replacement Lamp for UF75 and UF75w Projectors

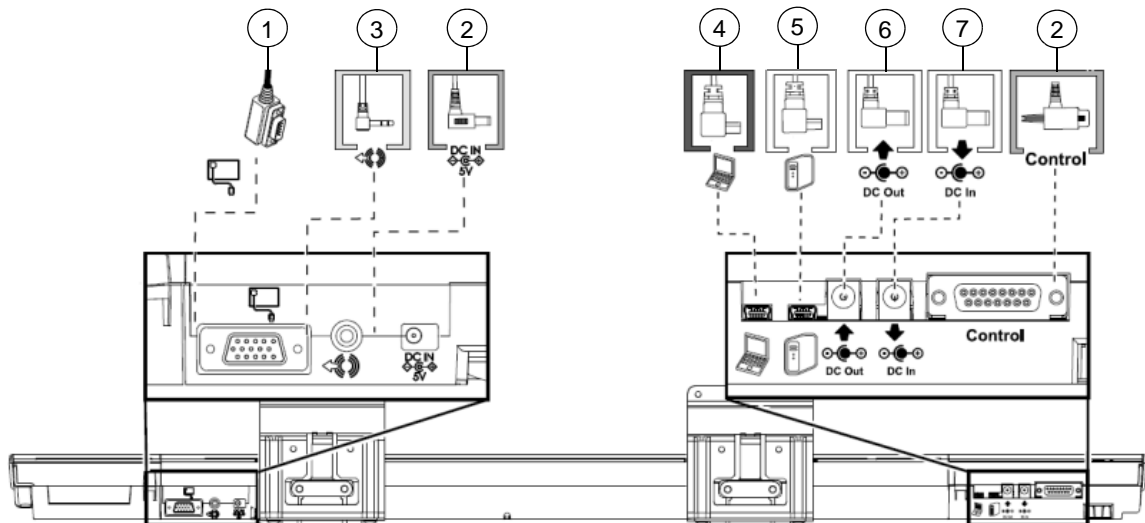
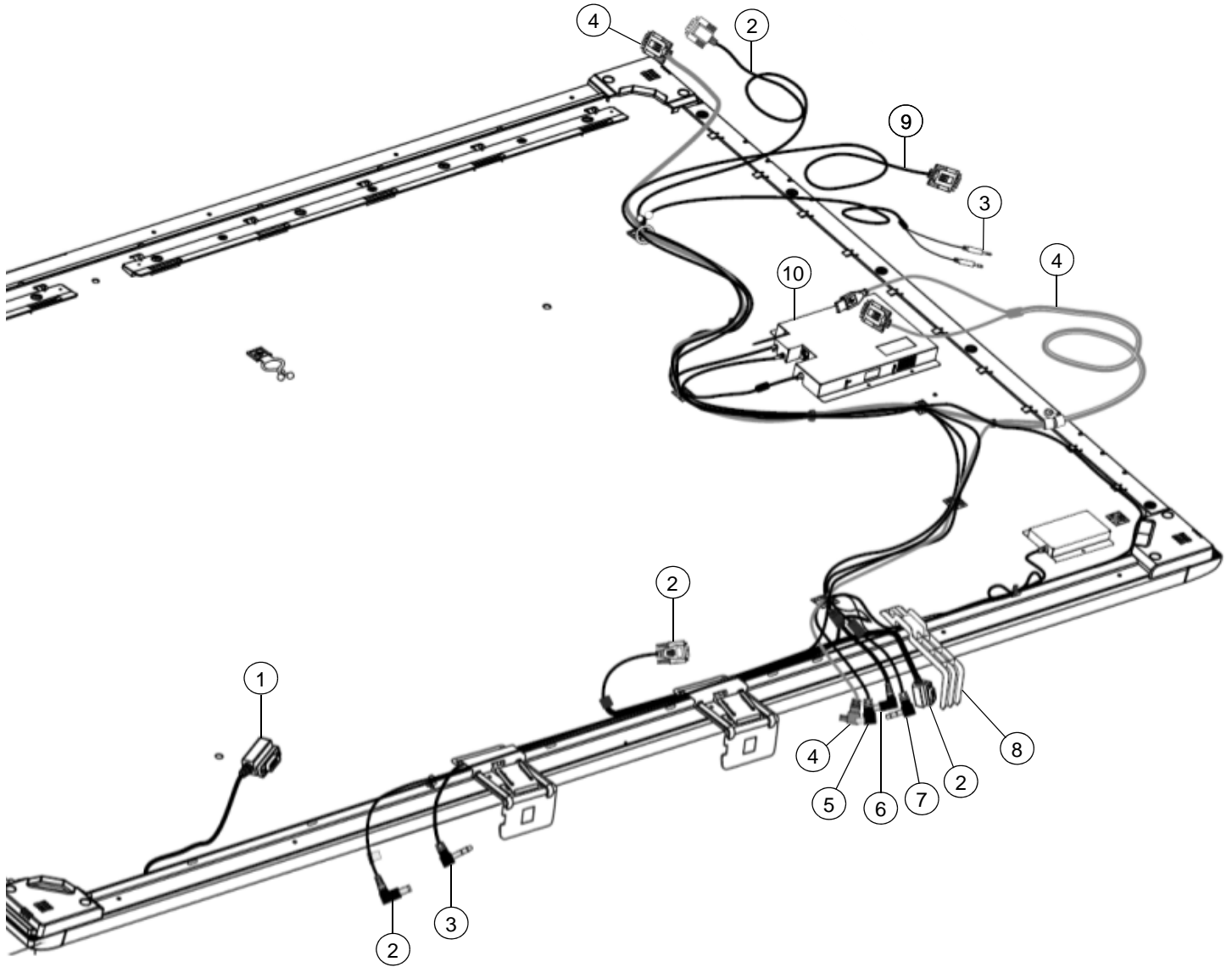
SBX880 with Appliance (included with SBX880i5e-MP)



Item	Part No.	Qty	Description
1	FRU-CAM-SBX8-0	1	FRU, camera, SBX8, position 0
2	FRU-CAM-SBX8-1	1	FRU, camera, SBX8, position 1

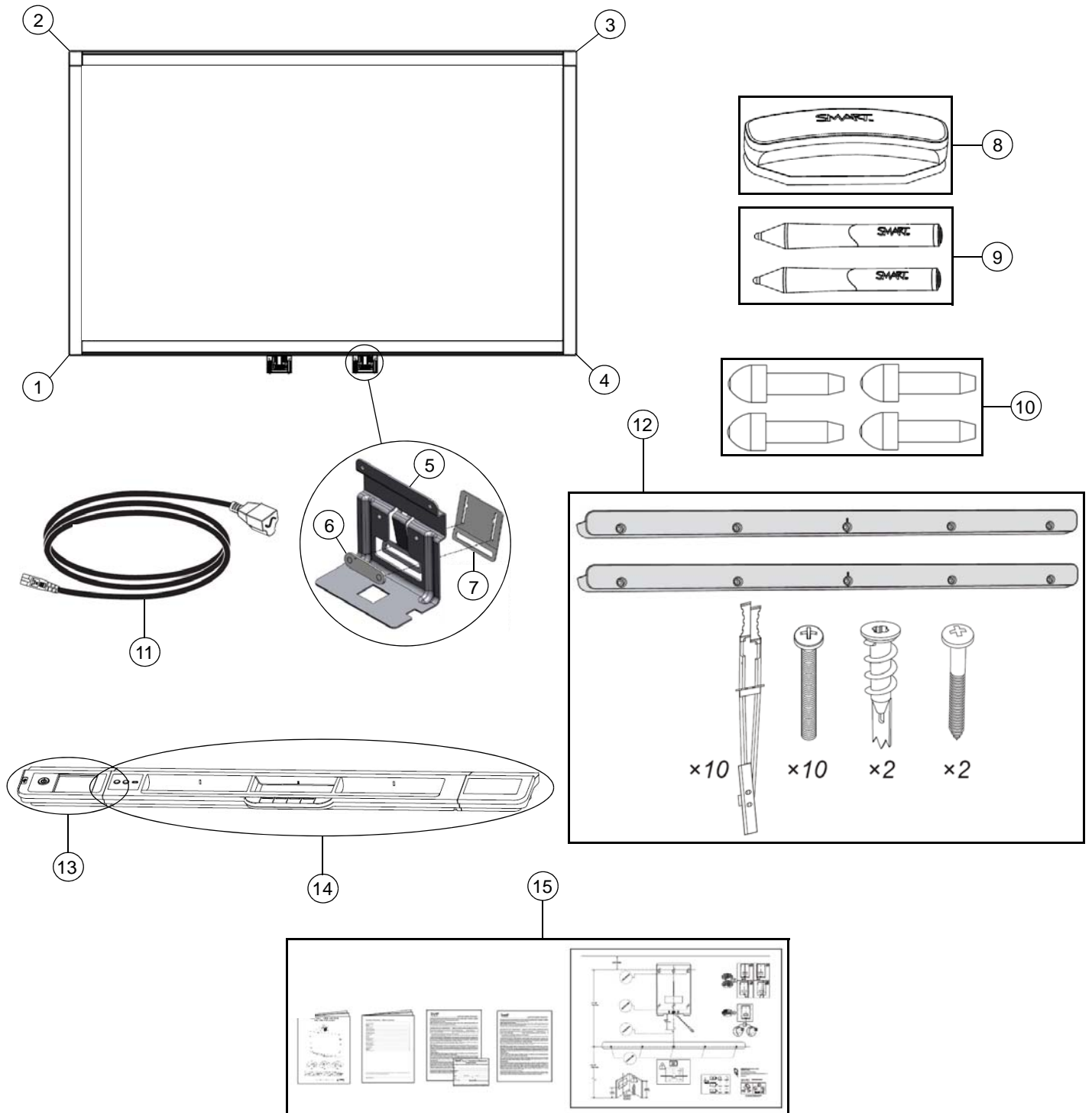
3	FRU-CAM-SBX8-2	1	FRU, camera, SBX8, position 2
4	FRU-CAM-SBX8-3	1	FRU, camera, SBX8, position 3
5	51-00817-20	2	Bracket, mounting, pen tray
6	51-00946-20	2	Bracket, locking, pen tray
7	51-00945-20	2	Bracket, extension, pen tray
8	RERASER-SBX8	1	Replacement Eraser for SMART Board X800 Series
9	RPEN-SBX8-MP	1	Replacement Pens for SMART Board X800 Series for Business - Set of Two
10	FRU-NIB-SBX8	1	Replacement Nibs for SBX8 Pen - Set of Four
11	93-00751-20	1	Cable, power, North America, 14'9" (4.5 m)
11	93-00752-20	1	Cable, power, United Kingdom, 14'9" (4.5 m)
11	93-00753-20	1	Cable, power, Europe, 14'9" (4.5 m)
11	93-00754-20	1	Cable, power, Australia, 14'9" (4.5 m)
11	93-00755-20	1	Cable, power, Japan, 14'9" (4.5 m)
11	93-00756-20	1	Cable, power, China, 14'9" (4.5 m)
11	93-00757-20	1	Cable, power, Korea, 14'9" (4.5 m)
11	93-00842-20	1	Cable, power, Brazil, 14'9" (4.5 m)
11	93-00843-20	1	Cable, power, India, 14'9" (4.5 m)
12	FRU-SBX8WM	1	FRU, SBX8, wall mounting kit
13	FRU-MODULE - ACP-SBX8	1	FRU, appliance control panel pen tray module, SBX8 NOTE: FRU-PT14 is not included.
14	FRU-PT14	1	FRU, pen tray, PT14 NOTE: FRU-MODULE-ACP-SBX8 is not included.
15	20-01523-20	1	Assembly, documentation kit, appliance, i5
Not shown	52-00683-20	1	Bracket, backboard hanger NOTE: Comes attached to the back of the SMART Board.
Not shown	52-00669-20	2	Cover, back, camera, position 0 and 2
Not shown	52-00668-20	2	Cover, back, camera, position 1 and 3
Not shown	93-00744-20	2	Cable, sides, SBX8 NOTE: One cable connects camera 0 to camera 1 and the second cable connects camera 2 to camera 3.
Not shown	93-00745-20	1	Cable, top, SBX880 NOTE: Connects camera 1 to camera 2.
Not shown	93-00748-20	1	Cable, master, SBX880 NOTE: Connects camera 3 to the pen tray.
Not shown	FRU-PKG-SBX880	1	FRU, packaging, SBX880 SMART Board Interactive Whiteboard

Rear View SBX880 with Appliance (included with SBX880i5e-MP)



Item	Part No.	Qty	Description
1	93-00748-20	1	Cable, master, SBX880 NOTE: Connects camera 3 to the pen tray.
2	93-00802-23	1	Cable, harness, control/power, appliance control panel (ACP), 13'10" (4.2 m) NOTE: - Connects control on the appliance pen tray module to the projector. - Connects external room control system to the projector. - Connects power input on the pen tray to the appliance pen tray module.
3	93-00856-20	1	Cable, audio, right angle 3.5 mm male to dual 3.5 mm male, 13'6" (4.1 m) NOTE: Connects audio output on the pen tray to the projector.
4	93-00825-20	1	Cable, harness, laptop, appliance control panel (ACP), 26'3" (8.0 m) NOTE: - Connects USB on the appliance pen tray module to the laptop. - Connects video output on the laptop to the projector.
5	93-00826-20	1	Cable, right angle USB Min-B to USB A, 6'3" (1.9 m) NOTE: Connects USB on the appliance pen tray module to the appliance.
6	93-00805-21	1	Cable, power, appliance, 4'7" (1.4 m) NOTE: Connects power output on the appliance pen tray module to the power input of the appliance.
7	60-00062-20	1	Power supply, 19V DC, 4.2A, universal switching NOTE: Connects to the power input on the appliance pen tray module.
8	52-00731-20	1	Bracket, support, appliance control panel (ACP)
9	93-00827-21	1	Cable, video, HD15 male to HD15 male, 8' (2.45 m) NOTE: Connects video output on the appliance to the projector.
10	FRU-APPLIANCE-SBX8	1	FRU, appliance, SBX8

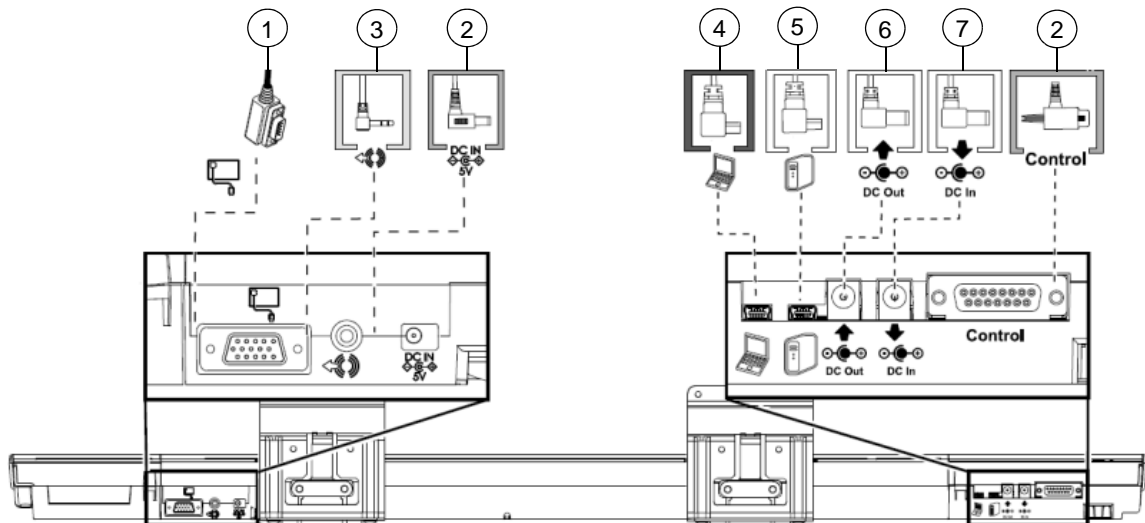
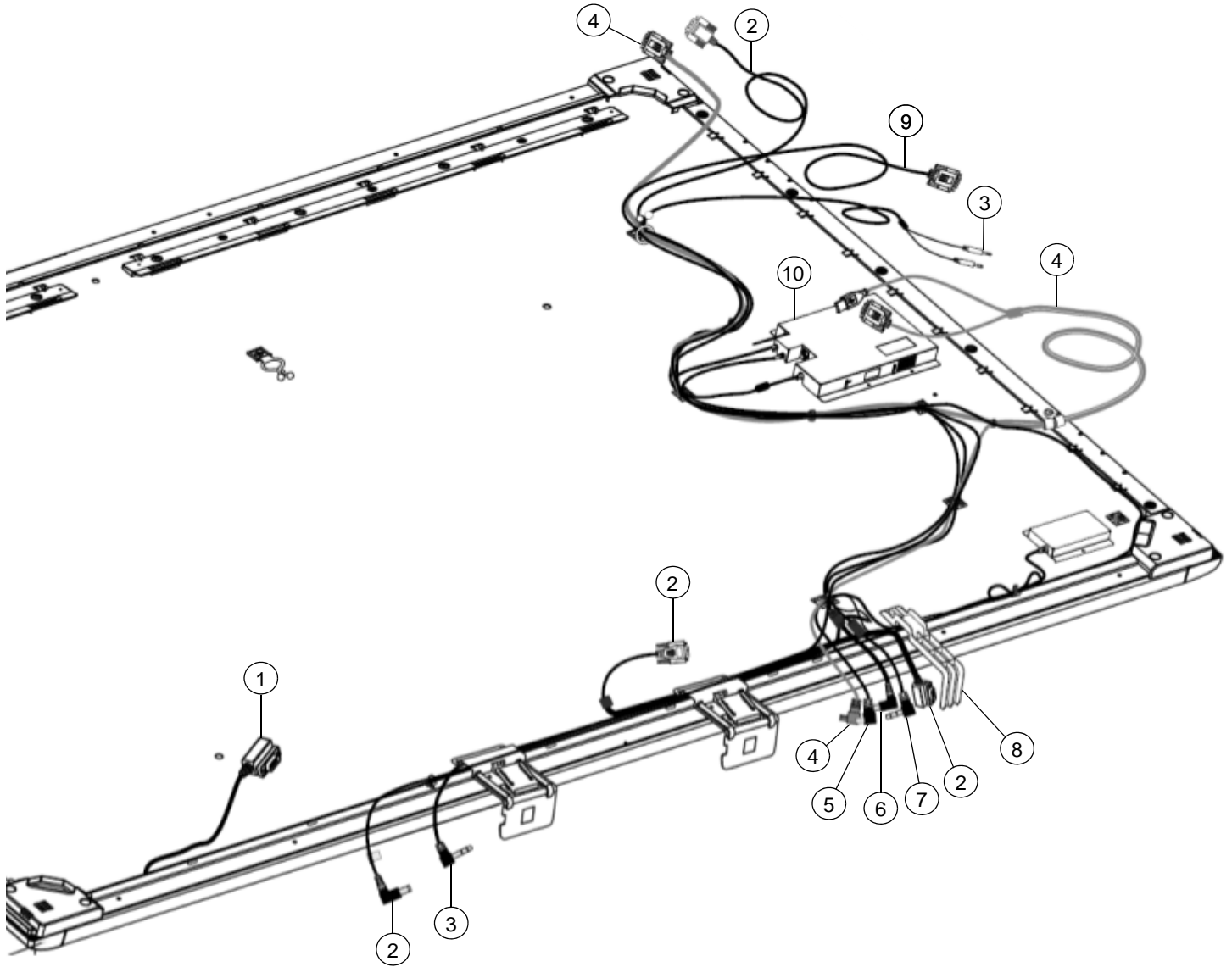
SBX885 with Appliance (included with SBX885i5e-MP)



Item	Part No.	Qty	Description
1	FRU-CAM-SBX8-0	1	FRU, camera, SBX8, position 0
2	FRU-CAM-SBX8-1	1	FRU, camera, SBX8, position 1
3	FRU-CAM-SBX8-2	1	FRU, camera, SBX8, position 2

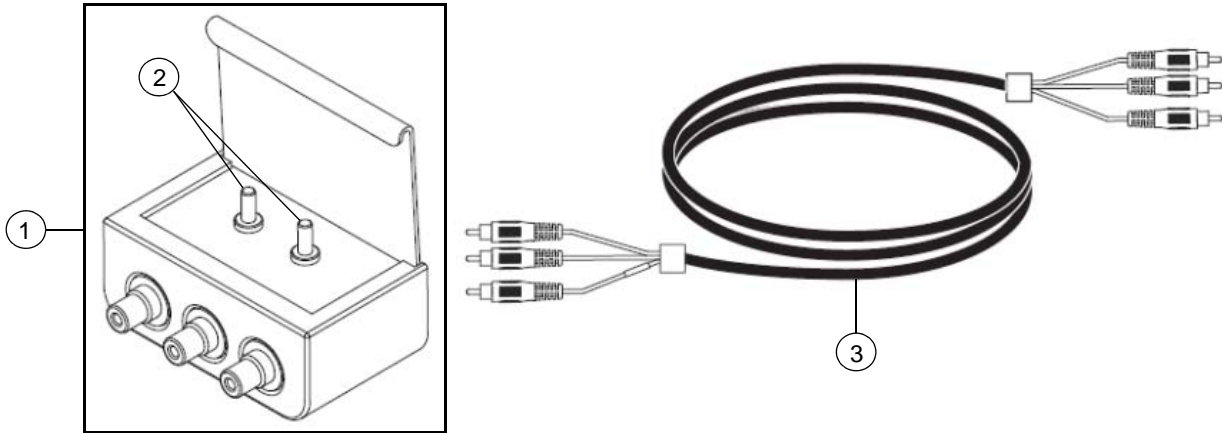
4	FRU-CAM-SBX8-3	1	FRU, camera, SBX8, position 3
5	51-00817-20	2	Bracket, mounting, pen tray
6	51-00946-20	2	Bracket, locking, pen tray
7	51-00945-20	2	Bracket, extension, pen tray
8	RERASER-SBX8	1	Replacement Eraser for SMART Board X800 Series
9	RPEN-SBX8-MP	1	Replacement Pens for SMART Board X800 Series for Business - Set of Two
10	FRU-NIB-SBX8	1	Replacement Nibs for SBX8 Pen - Set of Four
11	93-00751-20	1	Cable, power, North America, 14'9" (4.5 m)
11	93-00752-20	1	Cable, power, United Kingdom, 14'9" (4.5 m)
11	93-00753-20	1	Cable, power, Europe, 14'9" (4.5 m)
11	93-00754-20	1	Cable, power, Australia, 14'9" (4.5 m)
11	93-00755-20	1	Cable, power, Japan, 14'9" (4.5 m)
11	93-00756-20	1	Cable, power, China, 14'9" (4.5 m)
11	93-00757-20	1	Cable, power, Korea, 14'9" (4.5 m)
11	93-00842-20	1	Cable, power, Brazil, 14'9" (4.5 m)
11	93-00843-20	1	Cable, power, India, 14'9" (4.5 m)
12	FRU-SBX8WM	2	FRU, SBX8, wall mounting kit
13	FRU-MODULE - ACP-SBX8	1	FRU, appliance control panel pen tray module, SBX8 NOTE: FRU-PT14 is not included.
14	FRU-PT14	1	FRU, pen tray, PT14 NOTE: FRU-MODULE-ACP-SBX8 is not included.
15	20-01523-20	1	Assembly, documentation kit, appliance, i5
Not shown	52-00683-20	2	Bracket, backboard hanger NOTE: Comes attached to the back of the SMART Board.
Not shown	52-00669-20	2	Cover, back, camera, position 0 and 2
Not shown	52-00668-20	2	Cover, back, camera, position 1 and 3
Not shown	93-00744-20	2	Cable, sides, SBX8 NOTE: One cable connects camera 0 to camera 1 and the second cable connects camera 2 to camera 3.
Not shown	93-00746-20	1	Cable, top, SBX885 NOTE: Connects camera 1 to camera 2.
Not shown	93-00749-20	1	Cable, master, SBX885 NOTE: Connects camera 3 to the pen tray.
Not shown	FRU-PKG-SBX885	1	FRU, packaging, SBX885 SMART Board Interactive Whiteboard

Rear View SBX885 with Appliance (included with SBX885i5e-MP)



Item	Part No.	Qty	Description
1	93-00749-20	1	Cable, master, SBX885 NOTE: Connects camera 3 to the pen tray.
2	93-00802-23	1	Cable, harness, control/power, appliance control panel (ACP), 13'10" (4.2 m) NOTE: - Connects control on the appliance pen tray module to the projector. - Connects external room control system to the projector. - Connects power input on the pen tray to the appliance pen tray module.
3	93-00856-20	1	Cable, audio, right angle 3.5 mm male to dual 3.5 mm male, 13'6" (4.1 m) NOTE: Connects audio output on the pen tray to the projector.
4	93-00825-20	1	Cable, harness, laptop, appliance control panel (ACP), 26'3" (8.0 m) NOTE: - Connects USB on the appliance pen tray module to the laptop. - Connects video output on the laptop to the projector.
5	93-00826-20	1	Cable, right angle USB Min-B to USB A, 6'3" (1.9 m) NOTE: Connects USB on the appliance pen tray module to the appliance.
6	93-00805-21	1	Cable, power, appliance, 4'7" (1.4 m) NOTE: Connects power output on the appliance pen tray module to the power input of the appliance.
7	60-00062-20	1	Power supply, 19V DC, 4.2A, universal switching NOTE: Connects to the power input on the appliance pen tray module.
8	52-00731-20	1	Bracket, support, appliance control panel (ACP)
9	93-00827-21	1	Cable, video, HD15 male to HD15 male, 8' (2.45 m) NOTE: Connects video output on the appliance to the projector.
10	FRU-APPLIANCE-SBX8	1	FRU, appliance, SBX8

Optional Composite Video Panel for SBX800 (Part No. SBX8-RCA)



Item	Part No.	Qty	Description
1	20-01355-20	1	Assembly, master control panel (MCP), RCA connector pod NOTE: Includes two pieces of item 2.
2	30-01284-20	2	Screw, M4 x 16 mm, pelatized, hex, button head
3	93-00818-20	1	Cable, triple RCA to triple RCA, 9'2" (2.8 m)