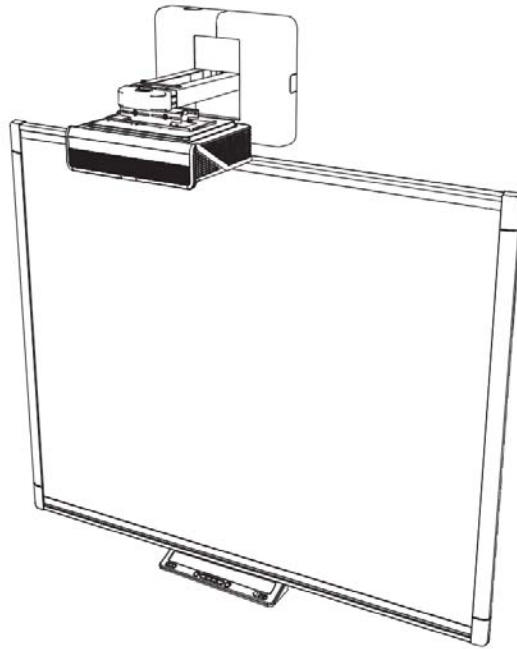


SMART[®]



Service Parts Diagrams

**For Model:
SBM680ix3
SBM685ix3**

Service Parts Diagrams Revision History

Revision 1 - May, 2015

- New document

Revision 2 - October 5, 2015

- Add 1027020, 1027022, 1027019, 1027057, 1027021, 1027009, 1027086 and 1027015

Standard Warranty Terms

Base Product: Your interactive whiteboard has a two-year limited equipment warranty. The projector has a three-year limited equipment warranty. The U100/U100w projector lamp has a 1000-hour/one-year warranty.

First Customer Ship: May, 2015

SMART Technologies

3636 Research Road NW

Calgary, AB T2L 1Y1

CANADA

Support +1.403.228.5940 or Toll Free 1.866.518.6791 (Canada/U.S.)

Support Fax +1.403.806.1256

www.smarttech.com/contactserviceparts www.smarttech.com

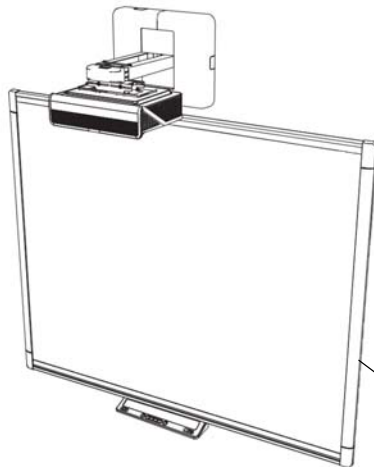


Service Parts Diagrams for the SBM680ix3 and SBM685ix3

- Identifying Your Product Using the Serial Number 1
- Ordering Parts 1
- SBM680i Parts 2
- SBM685i Parts 3
- Optional Video Connector Kit Assembly for SB600/SBM600 Series
(Part No. 20-01495-20) 4
- Optional Board Mounting Hardware Kit (Part No. 1020342) 5
- U100/U100w Parts 6
- Optional Projector Mounting Hardware Kit Assembly (Part No. 1013576) 8

Identifying Your Product Using the Serial Number

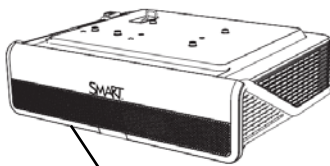
To make sure that you have the correct service parts diagrams, you must verify the serial number of your SBM680ix3 or SBM685ix3 interactive whiteboard. The SMART Board serial number will be located on the side of the right hand bezel. When mounted, the projector serial number will be visible on the bottom of the projector just below the projector lens. An example of the serial number format is shown below.



Unique Serial Number

C002FW11A0103

SMART Board Serial Number Location



Unique Serial Number

B012HA27U0101

Projector Serial Number Location

Ordering Parts

Customers

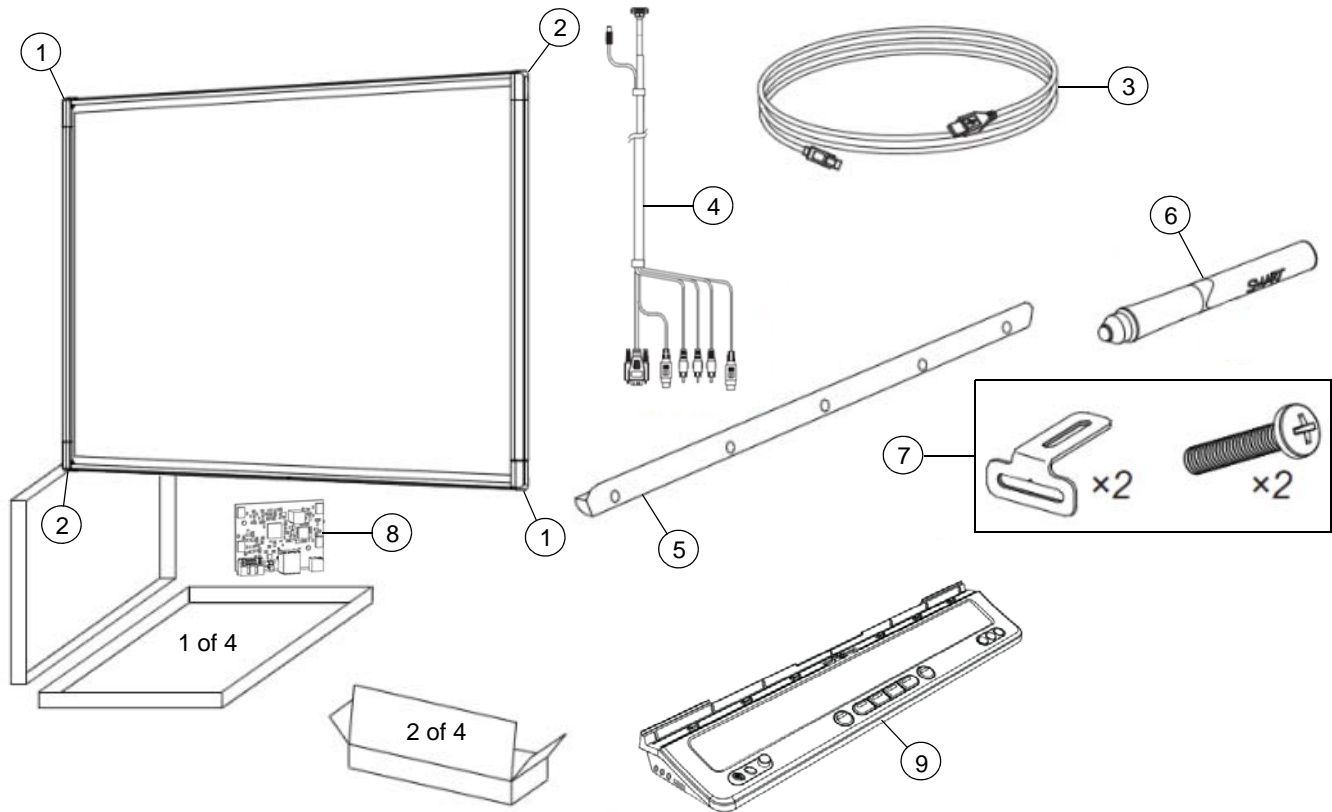
To order any of the parts in these service parts diagrams, contact your local reseller. To find a reseller near you, visit www.smarttech.com/where.

Dealers and Distributors

For specific technical and pricing enquiries in regards to these diagrams please contact our service parts department. Pricing is also available on-line via the SOURCE website (source.smarttech.com).

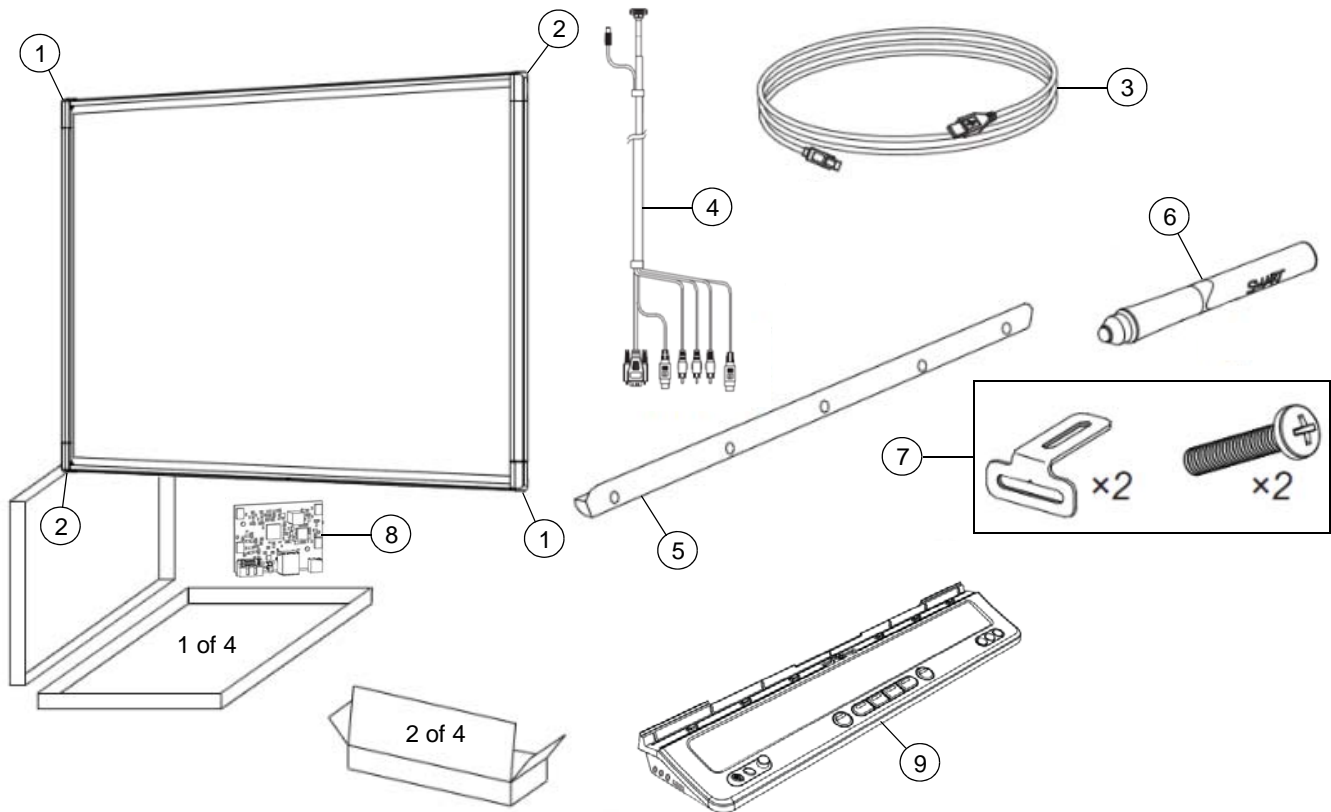
Web Form: www.smarttech.com/contactserviceparts
Phone: 1.888.42.SMART
International: +1.403.245.0333

SBM680i Parts



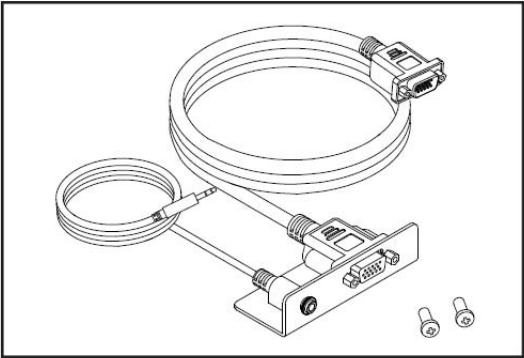
Item	Part No.	Qty	Description
1	FRU-CAM-SBM680-A	2	FRU, camera, SBM680, position 0 and 2
2	FRU-CAM-SBM680-B	2	FRU, camera, SBM680, position 1 and 3
3	93-00828-20	1	Cable, USB, A-B, 16' (5.0 m), SBX8
4	1019332	1	Cable, pen tray to projector, SBM6, 12' (3.65 m)
5	1009826	1	Bracket, wall mount, blue, SBX8/SBM6
6	RPEN-SBM6	1	Replacement Pens for SMART Board SBM600 Series - Set of Two
7	1020535	1	Assembly, SBM6 pen ledge / tray mounting hardware
8	FRU-DSP-SBM600	1	FRU, digital signal processor (controller), SBM600
9	FRU-PT-SBM600I	1	FRU, Pen Tray, SBM600i (with SMART projector controls)
Not shown	1019554	2	Cap, corner, top left / bottom right, front
Not shown	1019552	2	Cap, corner, top left / bottom right, back
Not shown	1019555	2	Cap, corner, top right / bottom left, front
Not shown	1019553	2	Cap, corner, top right / bottom left, back

SBM685i Parts



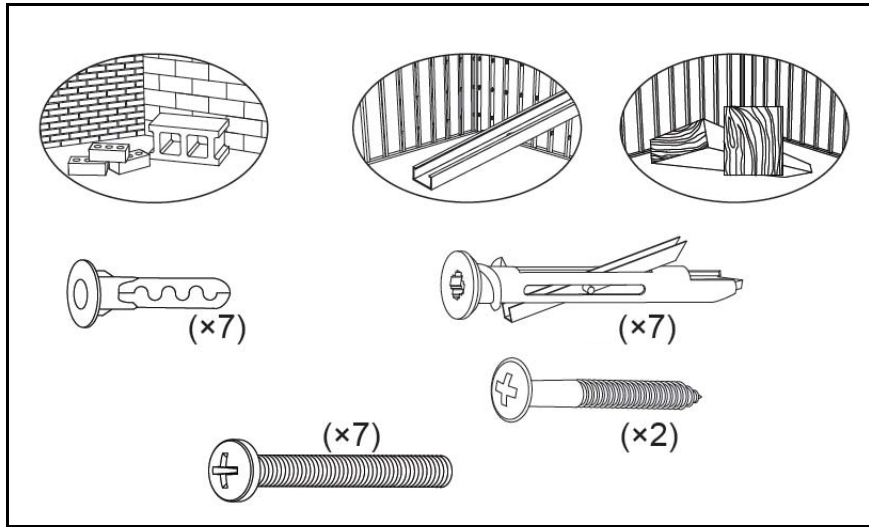
Item	Part No.	Qty	Description
1	FRU-CAM-SBM685-A	2	FRU, camera, SBM685, position 0 and 2
2	FRU-CAM-SBM685-B	2	FRU, camera, SBM685, position 1 and 3
3	93-00828-20	1	Cable, USB, A-B, 16' (5.0 m), SBX8
4	1019332	1	Cable, pen tray to projector, SBM6, 12' (3.65 m).
5	1009826	2	Bracket, wall mount, blue, SBX8/SBM6
6	RPEN-SBM6	1	Replacement Pens for SMART Board SBM600 Series - Set of Two
7	1020535	1	Assembly, SBM6 pen ledge / tray mounting hardware
8	FRU-DSP-SBM600	1	FRU, digital signal processor (controller), SBM600
9	FRU-PT-SBM600I	1	FRU, Pen Tray, SBM600i (with SMART projector controls)
Not shown	1019554	2	Cap, corner, top left / bottom right, front
Not shown	1019552	2	Cap, corner, top left / bottom right, back
Not shown	1019555	2	Cap, corner, top right / bottom left, front
Not shown	1019553	2	Cap, corner, top right / bottom left, back

**Optional Video Connector Kit Assembly for SB600/SBM600 Series
(Part No. 20-01495-20)**

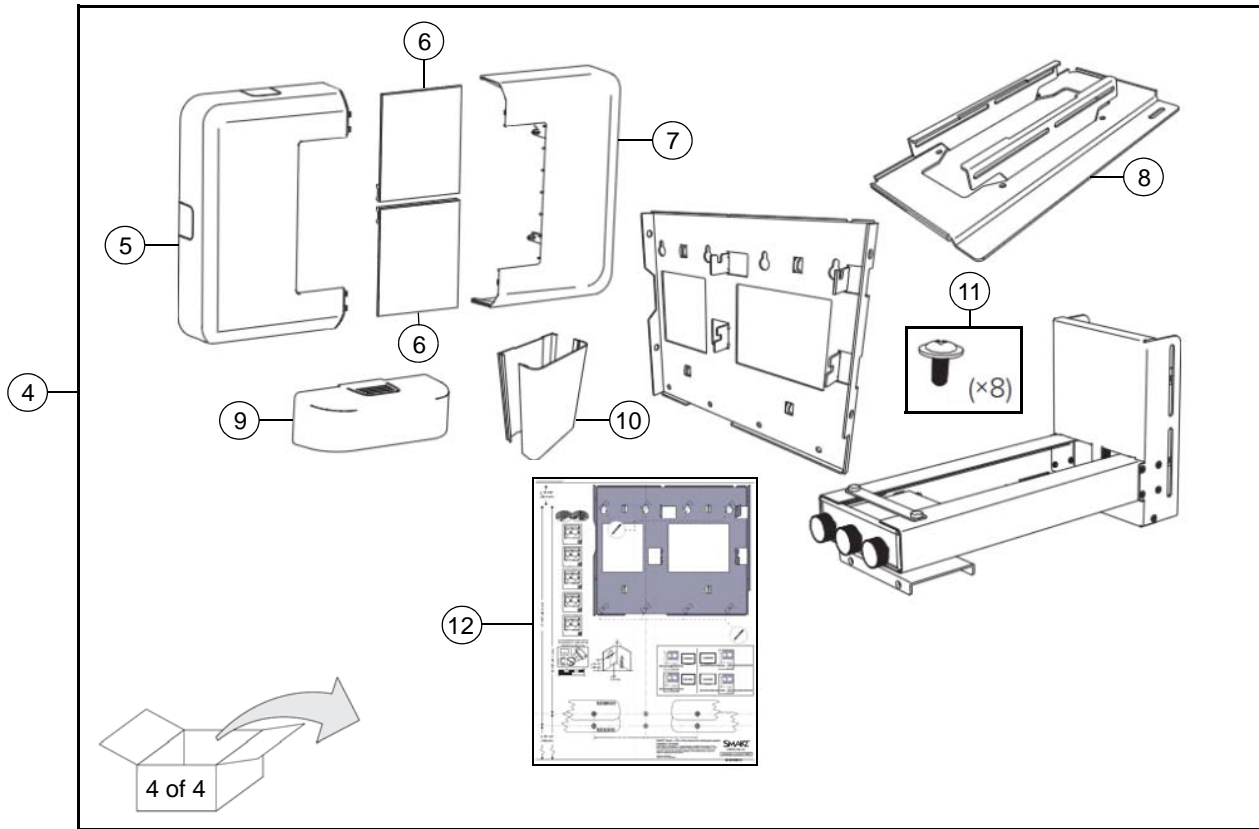
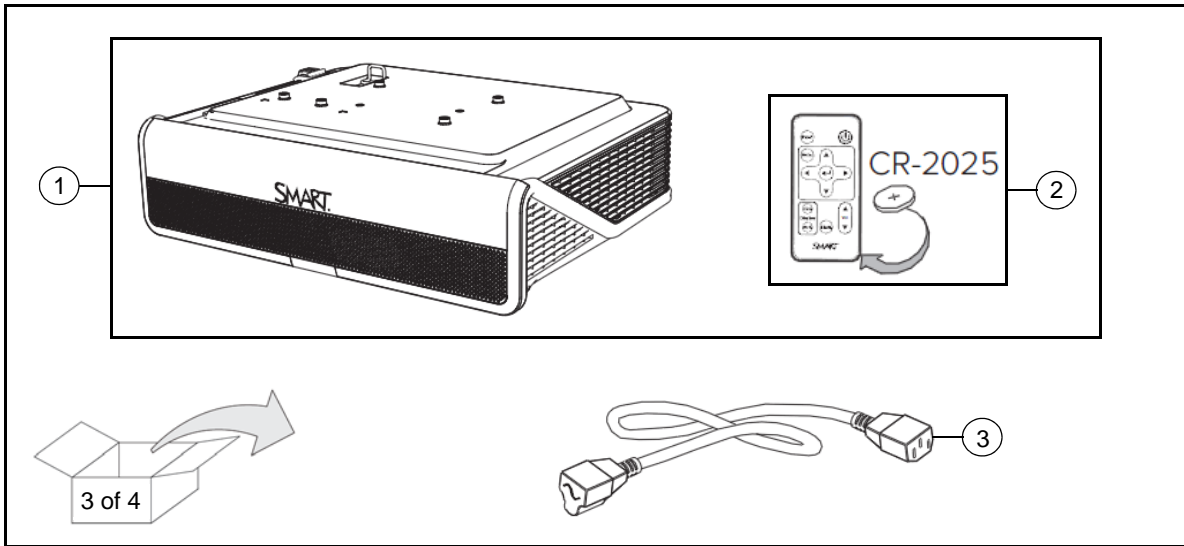


Optional Board Mounting Hardware Kit (Part No. 1020342)

NOTE: SBM685ix3 requires two kits.



U100/U100w Parts



Item	Part No.	Qty	Description
1	FRU-U100-PJR	1	FRU, U100 projector only NOTE: Includes projector and item 2.
1	FRU-U100w-PJR	1	FRU, U100w projector only NOTE: Includes projector and item 2.

2	03-00131-20	1	Remote control NOTE: Battery not included with replacement remotes.
3	93-00630-20	1	Cable, power, North America, 14' 9" (4.5 m)
3	93-00632-20	1	Cable, power, United Kingdom, 14' 9" (4.5 m)
3	93-00631-20	1	Cable, power, Europe, 14' 9" (4.5 m)
3	93-00629-20	1	Cable, power, Australia, 14' 9" (4.5 m)
3	93-00634-20	1	Cable, power, Japan, 14' 9" (4.5 m)
3	93-00633-20	1	Cable, power, China, 14' 9" (4.5 m)
3	1018970	1	Cable, power, India, 14' 9" (4.5 m)
3	1018971	1	Cable, power, Saudi Arabia, 14' 9" (4.5 m)
3	1018972	1	Cable, power, Brazil, 14' 9" (4.5 m)
3	1025603	1	Cable, power, Chile and Italy, 14' 9" (4.5 m)
4	1026830	1	Assembly, mounting system, U100-U100w projection system
5	1027020	1	Wall cover, left, mounting system, projector, U100-U100w
6	1027022	2	Assembly, cover, boom arm slot, mounting system, projector, U100-U100w
7	1027019	1	Wall cover, right, mounting system, projector, U100-U100w
8	1027057	1	Projector holder plate, projector mounting system, U100-U100w
9	1027021	1	Cap, end, boom arm, mounting system, projector, U100-U100w
10	1027009	1	Cable channel kit for U100-U100w projector
11	1027086	1	Hardware, projector attachment, U100-U100w NOTE: Used to attach the projector holder plate to the projector and to attach the projector holder plate to the boom arm.
12		1	Mounting template, projector, U100-U100w, SB8 and SBM6 boards NOTE: Can be downloaded via the following link: www.smarttech.com/kb/170887
Not shown	1026952	1	Replacement lamp for U100 and U100w projectors
Not shown	1027015	1	Hardware, boom attachment, U100-U100w NOTE: Used to attach the wall plate to the boom arm.

Optional Projector Mounting Hardware Kit Assembly (Part No. 1013576)

