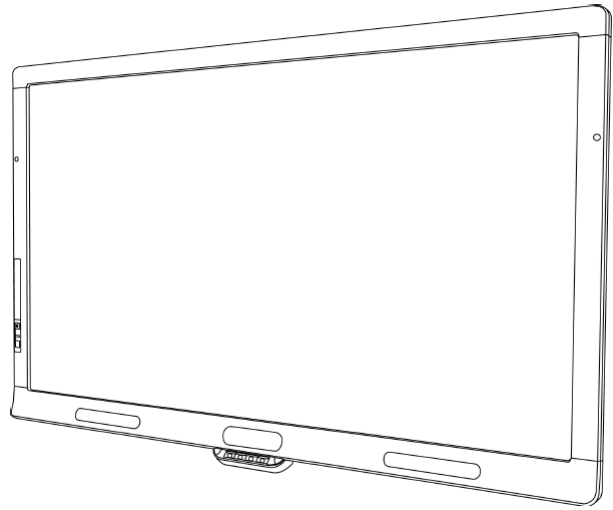


**SMART<sup>®</sup>**



***Service Parts  
Diagrams***

**For Model:  
SBID8055ie-SMP**

## Service Parts Diagrams Revision History

### Revision 1 - August, 2012

- New document

### Revision 2 - October, 2012

- Change 1018092 to RPEN-SBID
- Change 1017525 to SMP-UpK

### Standard Warranty Terms

Base product: Two-year limited equipment warranty

First Customer Ship: August, 2012

---

#### SMART Technologies

3636 – Research Road NW

Calgary, AB T2L 1Y1

CANADA

Support +1.403.228.5940 or Toll Free 1.866.518.6791 (Canada/U.S.)

Support Fax +1.403.806.1256

[www.smarttech.com/contactserviceparts](http://www.smarttech.com/contactserviceparts) [www.smarttech.com](http://www.smarttech.com)

The SMART logo consists of the word "SMART" in a bold, stylized, sans-serif font. The letters are black with a white outline, and a registered trademark symbol (®) is located at the bottom right of the letter "T".

# Service Parts Diagrams for the SBID8055ie-SMP

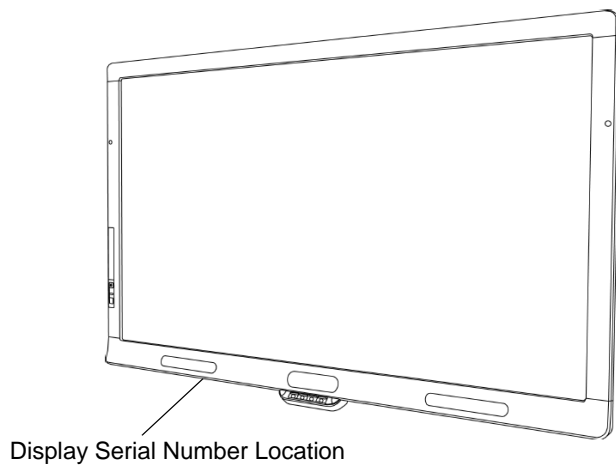
---

- Identifying Your Product Using the Serial Number ..... 1
- Ordering Parts ..... 1
- SBID8055i Parts ..... 2
- SBID8055i Appliance Parts ..... 4
- Optional Table Stand for SMART Board 55" Interactive Display (Part No. SBID8055i-TS) .... 5



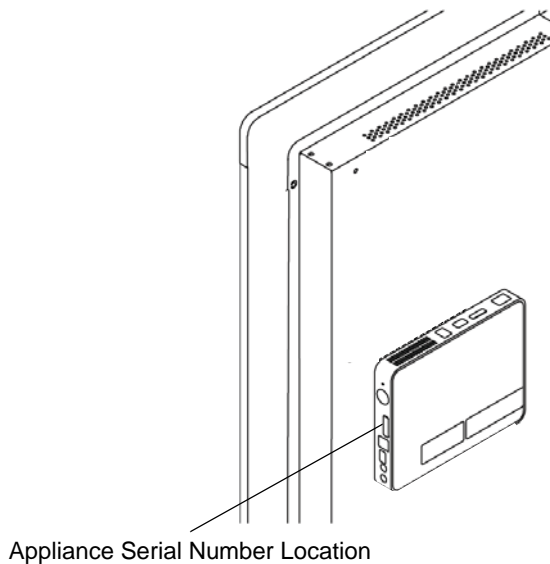
## Identifying Your Product Using the Serial Number

To make sure that you have the correct service parts diagrams, you must verify the serial number of your SBID8055i. The SBID8055i serial number will be located on the left underside of the pen ledge. When mounted, the Appliance serial number will be located on the right side of the SBID8055i. An example of the serial number format is shown below.



Display Unique Serial Number

**K012EW24D0024**



Appliance Unique Serial Number

**ACESA005095**

## Ordering Parts

### Customers

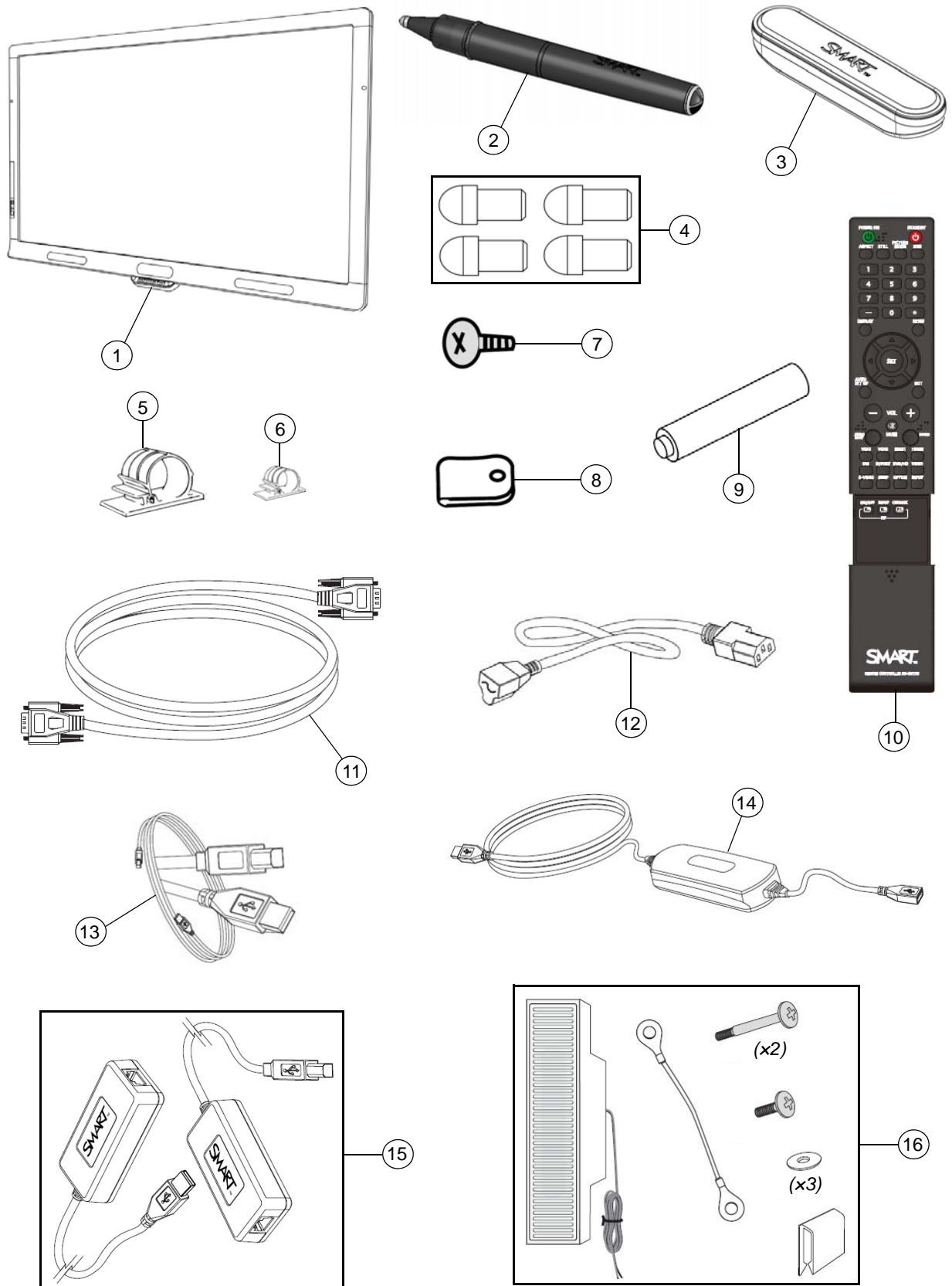
To order any of the parts in these service parts diagrams, contact your local reseller. To find a reseller near you, visit [www.smarttech.com/where](http://www.smarttech.com/where).

### Dealers and Distributors

For specific technical and pricing enquiries in regards to these diagrams please contact our service parts department. Pricing is also available on-line via the SOURCE website ([source.smarttech.com](http://source.smarttech.com)).

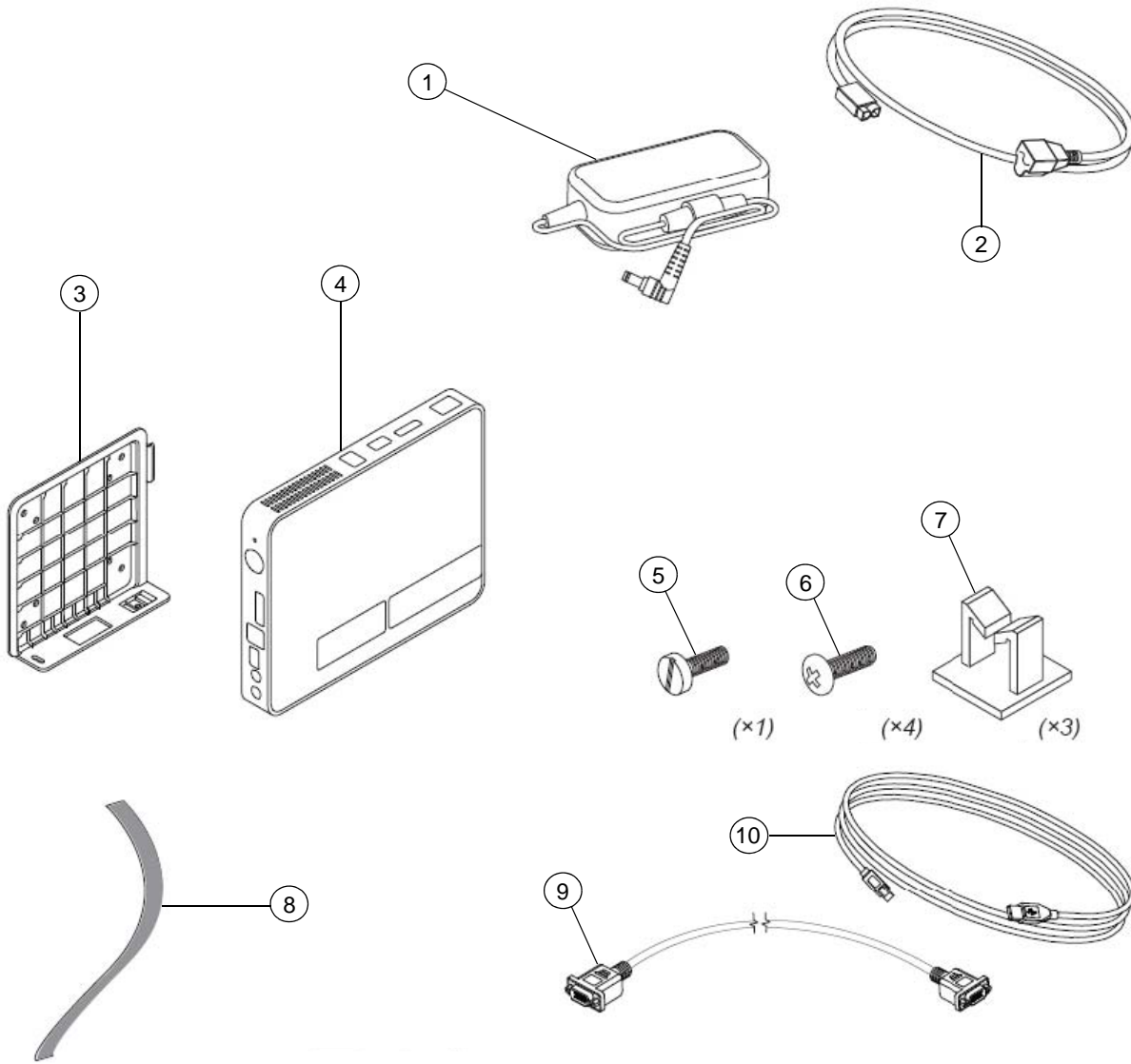
Web Form: [www.smarttech.com/contactserviceparts](http://www.smarttech.com/contactserviceparts)  
Phone: 1.888.42.SMART  
International: +1.403.245.0333

# SBID8055i Parts



1	1013794	1	Module, color select <b>NOTE:</b> Comes attached to the SBID8055i.
2	RPEN-SBID	2	Assembly, stylus <b>NOTE:</b> Includes set of four spare pen nibs (item 4).
3	RERASER-SBID	1	Assembly, eraser
4	FRU-NIB-SBID	1	Replacement Nibs for the SMART Board Interactive Display Pen - Set of Four
5	30-01445-20	5	Clamp, speaker wire management, large
6	30-01446-20	10	Clamp, speaker wire management, small
7	30-01447-20	1	Screw, M4 x 8 mm, Phillips, pan head <b>NOTE:</b> For attaching power cable clamp.
8	30-01444-20	1	Clamp, power cable management
9	01-00257	2	Battery, AAA
10	1013799	1	Remote control
11	93-00844-20	1	Cable, video, HD15 male to HD15 male, 13' 2" (4.0 m)
12	93-051	1	Cable, power, North America, 8' (2.4 m)
12	93-055	1	Cable, power, United Kingdom, 8' (2.4 m)
12	93-056	1	Cable, power, Australia, 8' (2.4 m)
12	93-054	1	Cable, power, Europe, 8' (2.4 m)
13	93-00828-20	1	Cable, USB, A-B, 16' (5.0 m)
14	SMP-UpK	1	GoWire Meeting Pro
15	CAT5-XT-1100	1	CAT 5 to USB Extender, CAT5 Cable not included
16	03-00210-20	2	Speaker kit

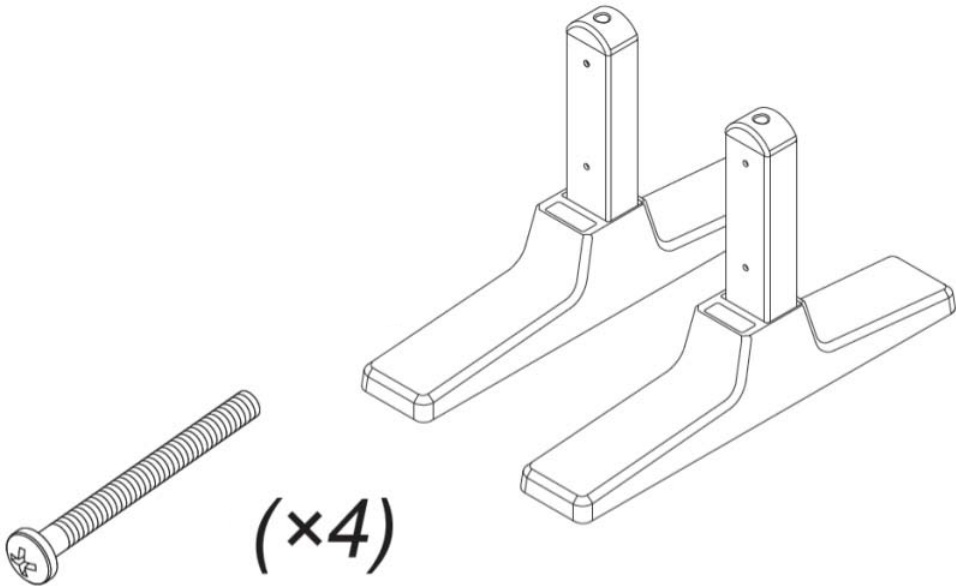
# SBID8055i Appliance Parts



Item	Part No.	Qty	Description
1	60-00064-20	1	Power supply, 19V DC, 2.1A, universal switching
2	93-00849-20	1	Cable, power, appliance, 3' (91 cm)
3	51-00950-20	1	Bracket, mounting, appliance
4	FRU-APPLIANCE-SBX8	1	FRU, appliance, SBX8
5	30-01429-20	1	Screw, M3.5 x 10 mm, slot, cheese head
6	30-00946-20	4	Screw, M4 x 6 mm, Phillips, pan head
7	30-01281-20	3	Clip, saddle "U", wire management
8	30-01459-20	1	Strap, Velcro, 1/2" x 12", black
9	93-00850-20	1	Cable, video, HD15 male to HD15 male, 4' (1.2 m)
10	93-00851-20	1	Cable, USB, A-B, 6' (1.8 m)



**Optional Table Stand for SMART Board 55" Interactive Display (Part No. SBID8055i-TS)**



**NOTE:** Components not available separately.