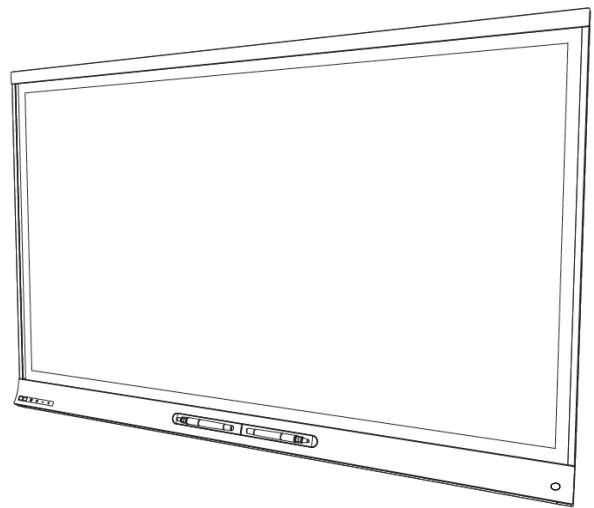


SMART[®]



***Service Parts
Diagrams***

**For Model:
SBID8055i-G5-SMP**

Service Parts Diagrams Revision History

Revision 1 - February, 2015

- New document

Standard Warranty Terms

Base product: Two-year limited equipment warranty

First Customer Ship: February, 2015

SMART Technologies

3636 – Research Road NW

Calgary, AB T2L 1Y1

CANADA

Support +1.403.228.5940 or Toll Free 1.866.518.6791 (Canada/U.S.)

Support Fax +1.403.806.1256

www.smarttech.com/contactserviceparts www.smarttech.com

The SMART logo consists of the word "SMART" in a bold, stylized, sans-serif font. The letters are black with a white outline, and a registered trademark symbol (®) is located at the bottom right of the letter "T".

Service Parts Diagrams for the SBID8055i-G5-SMP

- Identifying Your Product Using the Serial Number 1
- Ordering Parts 1
- SBID8055i-G5-SMP Parts 3
- Optional Wall Mount (Part No. WM-SBID-501) 4
- Optional Wall Stand Kit for Single Integrated Flat Panel (Part No. WSK-SINGLE) 5
- Optional Wall Stand Kit for Dual Integrated Flat Panels (Part No. WSK-DUAL) 6

Identifying Your Product Using the Serial Number

To make sure that you have the correct service parts diagrams, you must verify the serial number of your SBID8055i-G5-SMP. The serial number will be located on the right underside of the bottom bezel. An example of the serial number format is shown below.



Serial Number Location

Unique Serial Number

K012GW50M0060

Ordering Parts

Customers

To order any of the parts in these service parts diagrams, contact your local reseller. To find a reseller near you, visit www.smarttech.com/where.

Dealers and Distributors

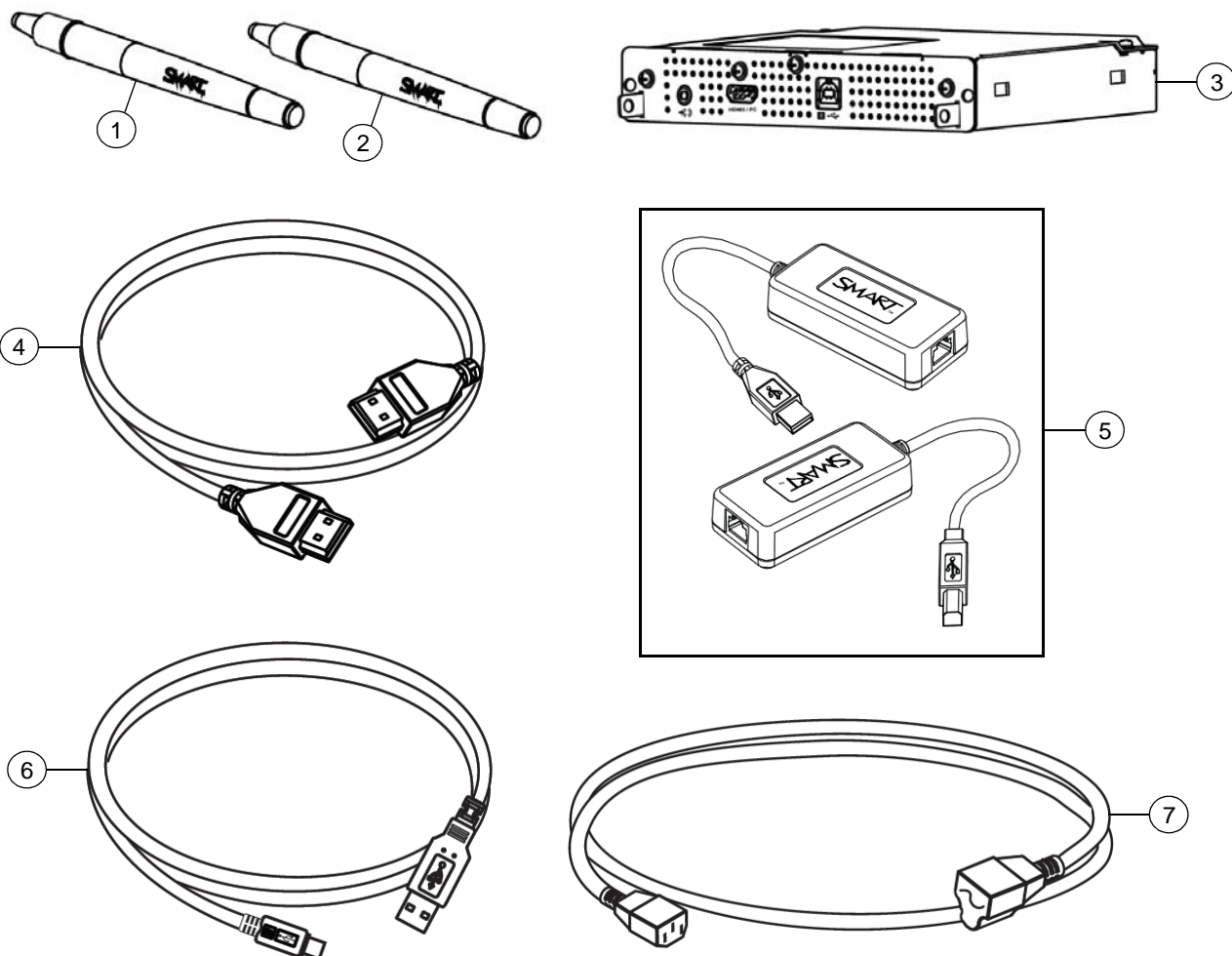
For specific technical and pricing enquiries in regards to these diagrams please contact our service parts department. Pricing is also available on-line via the SOURCE website (source.smarttech.com).

Web Form: www.smarttech.com/contactserviceparts

Phone: 1.888.42.SMART

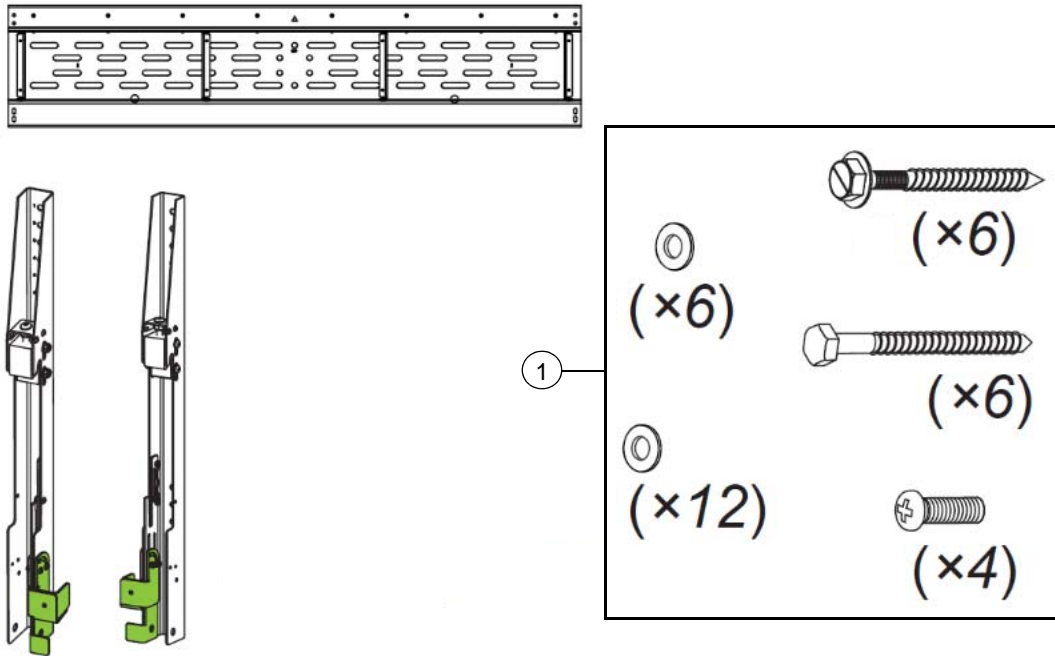
International: +1.403.245.0333

SBID8055i-G5-SMP Parts



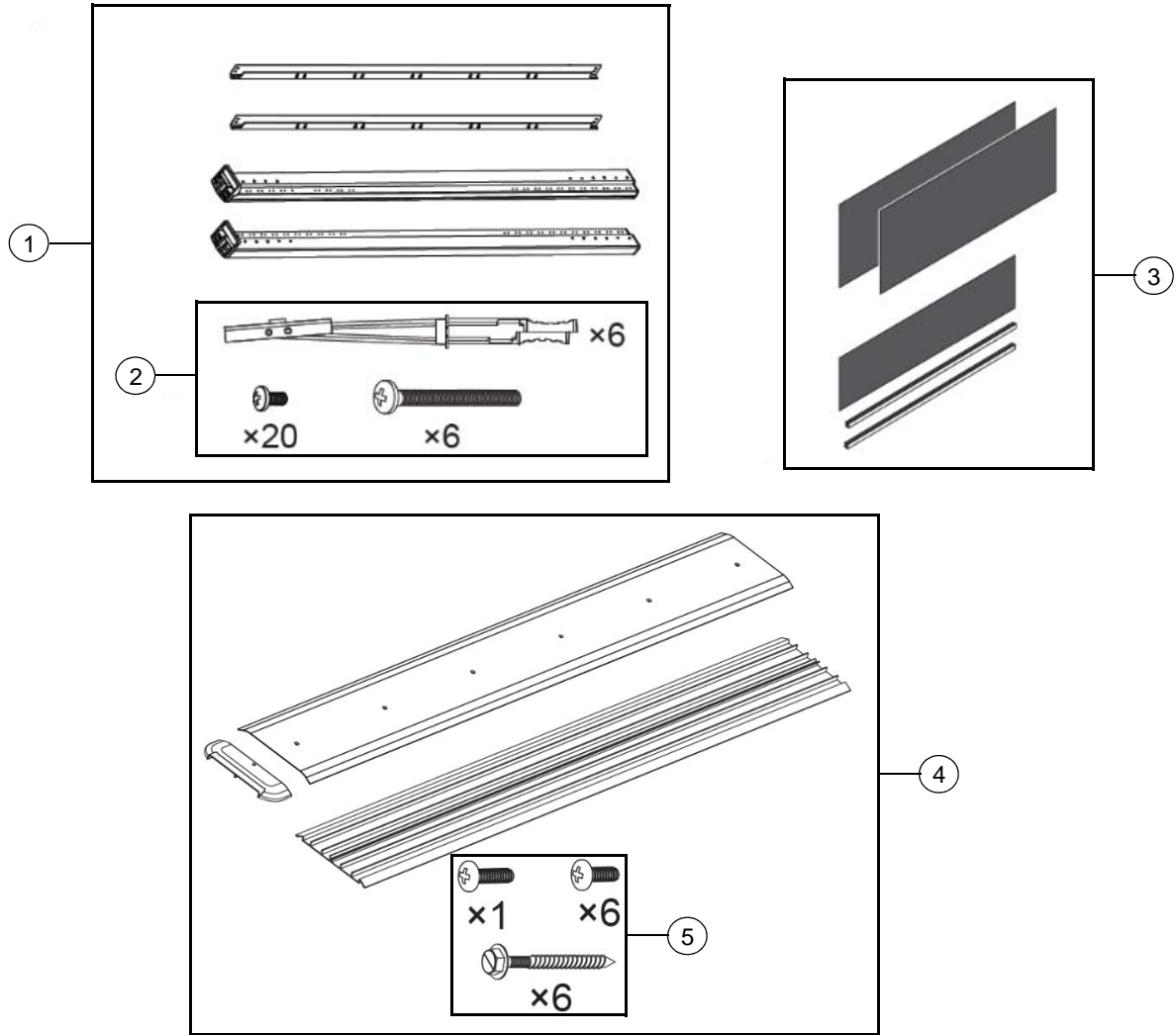
Item	Part No.	Qty	Description
1	1025924	1	Replacement Pen for SPNL-6000 Series and SBID8000-G5 Series - Black
2	1025925	1	Replacement Pen for SPNL-6000 Series and SBID8000-G5 Series - Red
3	SBID-G4-XTM	1	FRU, XTM (Slave Panel Interface Board, SPIB), SBID-G4
4	1019416	1	Cable, HDMI male to HDMI male, 20' 8" (6.3 m)
5	CAT5-XT-1100	1	CAT 5 to USB Extender, CAT5 Cable not included
6	93-00828-20	1	Cable, USB, A-B, 16' (5.0 m)
7	1022063	1	Cable, power, North America, 8' (2.4 m)
7	93-055	1	Cable, power, United Kingdom, 8' (2.4 m)
7	93-056	1	Cable, power, Australia, 8' (2.4 m)
7	93-054	1	Cable, power, Europe, 8' (2.4 m)
7	93-00708-20	1	Cable, power, China, 8' (2.4 m)
7	93-00654-20	1	Cable, power, Japan, 8' (2.4 m)

Optional Wall Mount (Part No. WM-SBID-501)



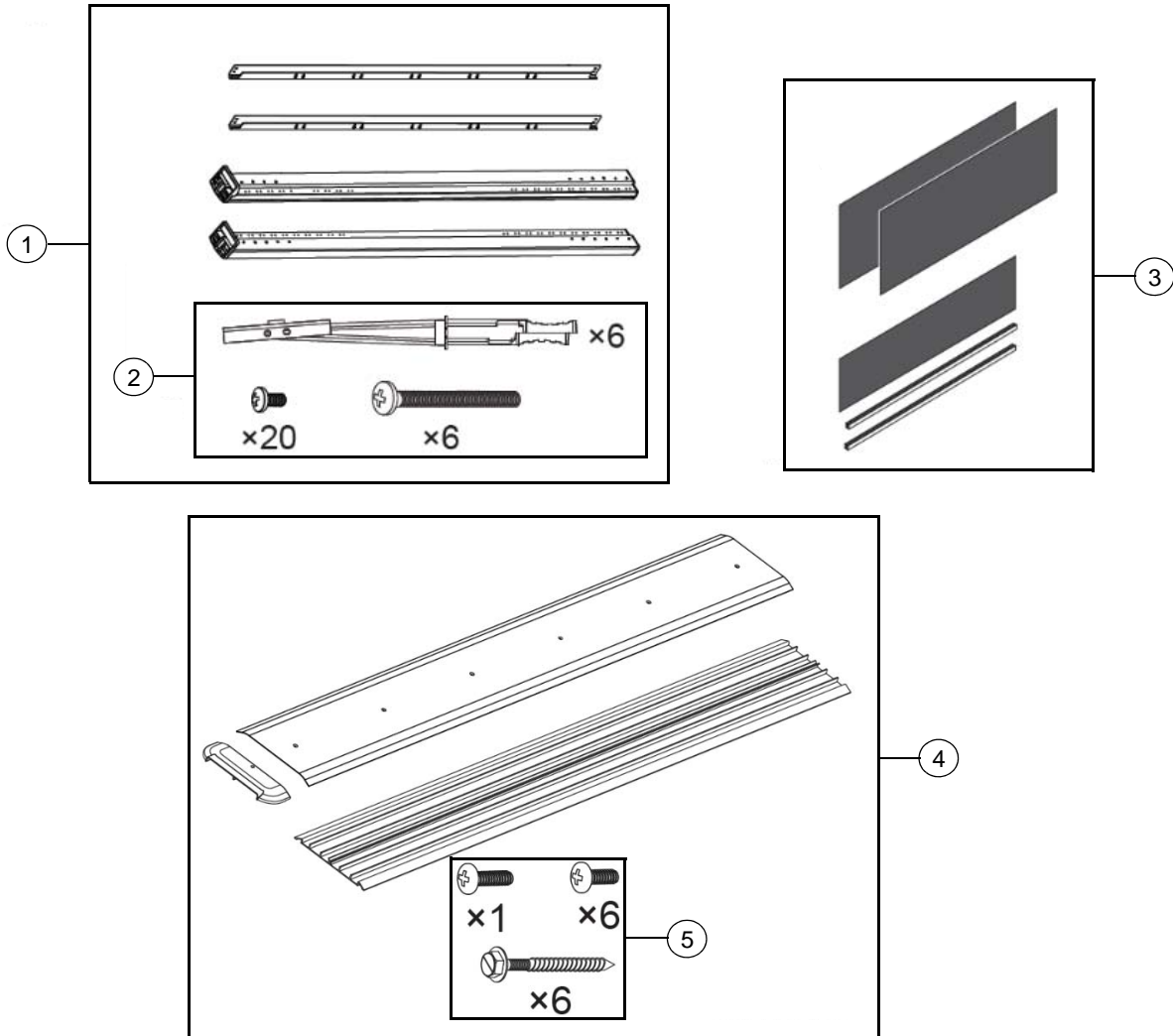
Item	Part No.	Qty	Description
1	1022216	1	Assembly, hardware, kit, WM-SBID-501/502

Optional Wall Stand Kit for Single Integrated Flat Panel (Part No. WSK-SINGLE)



Item	Part No.	Qty	Description
1	1020547	1	Assembly, uprights, wall stand NOTE: Includes item 2.
2	1021347	1	Assembly, hardware, kit, WS-SBID-500
3	1020546	1	Assembly, panel, wall stand
4	1018900	1	Assembly, cable raceway, RW-500 NOTE: Includes item 5.
5	1021406	1	Assembly, hardware, kit, RW-500

Optional Wall Stand Kit for Dual Integrated Flat Panels (Part No. WSK-DUAL)



Item	Part No.	Qty	Description
1	1020547	2	Assembly, uprights, wall stand NOTE: Includes item 2.
2	1021347	2	Assembly, hardware, kit, WS-SBID-500
3	1020546	2	Assembly, panel, wall stand
4	1018900	1	Assembly, cable raceway, RW-500 NOTE: Includes item 5.
5	1021406	1	Assembly, hardware, kit, RW-500