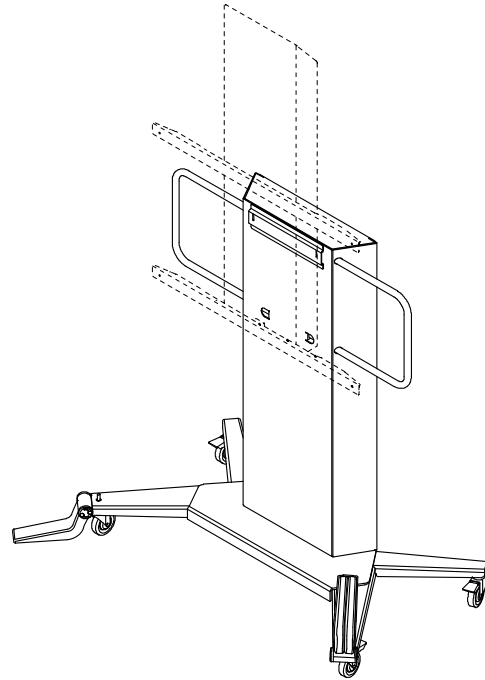


# SMART<sup>®</sup>



## ***Service Parts Diagrams***

**For Model:  
FS-UX**

## Service Parts Diagrams Revision History

### Revision 1 - October, 2010

- New document

### Revision 2 - November, 2010

- Remove 20-01273-21 and 52-00697-21

### Revision 3 - December, 2010

- Add FS-UX-LTS

### Revision 4 - February, 2012

- Add 52-00697-21

### Revision 5 - May, 2013

- Remove 52-00716-20, 30-01221-20, 30-01387-20 and 30-01138-20

### Revision 6 - June, 2015

- Remove 10-00027-20
- Add 1016483, 1016484 and 1025658

## Standard Warranty Terms

Base product: Two-year limited equipment warranty

First Customer Ship: September, 2010

---

### SMART Technologies

3636 Research Road NW

Calgary, AB T2L 1Y1

CANADA

Support +1.403.228.5940 or Toll Free 1.866.518.6791 (Canada/U.S.)

Support Fax +1.403.806.1256

[www.smarttech.com/contactserviceparts](http://www.smarttech.com/contactserviceparts) [www.smarttech.com](http://www.smarttech.com)



# Service Parts Diagrams for the FS-UX

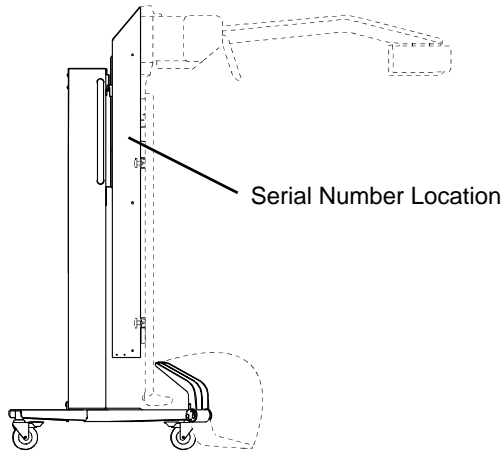
---

- Identifying Your Product Using the Serial Number ..... 1
- Ordering Parts ..... 1
- FS-UX Parts ..... 2
- HAWM-UX/UF Parts ..... 4
- Optional Laptop Shelf for FS-UX systems (Part No. FS-UX-LTS) ..... 5



## Identifying Your Product Using the Serial Number

To make sure that you have the correct service parts diagrams, you must verify the serial number of your FS-UX. The serial number is located on the right hand side of the pillar. An example of the serial number format is shown below.



**G012C204A0168**

Unique Serial Number

## Ordering Parts

### Customers

To order any of the parts in these service parts diagrams, contact your local reseller. To find a reseller near you, visit [www.smarttech.com/where](http://www.smarttech.com/where).

### Dealers and Distributors

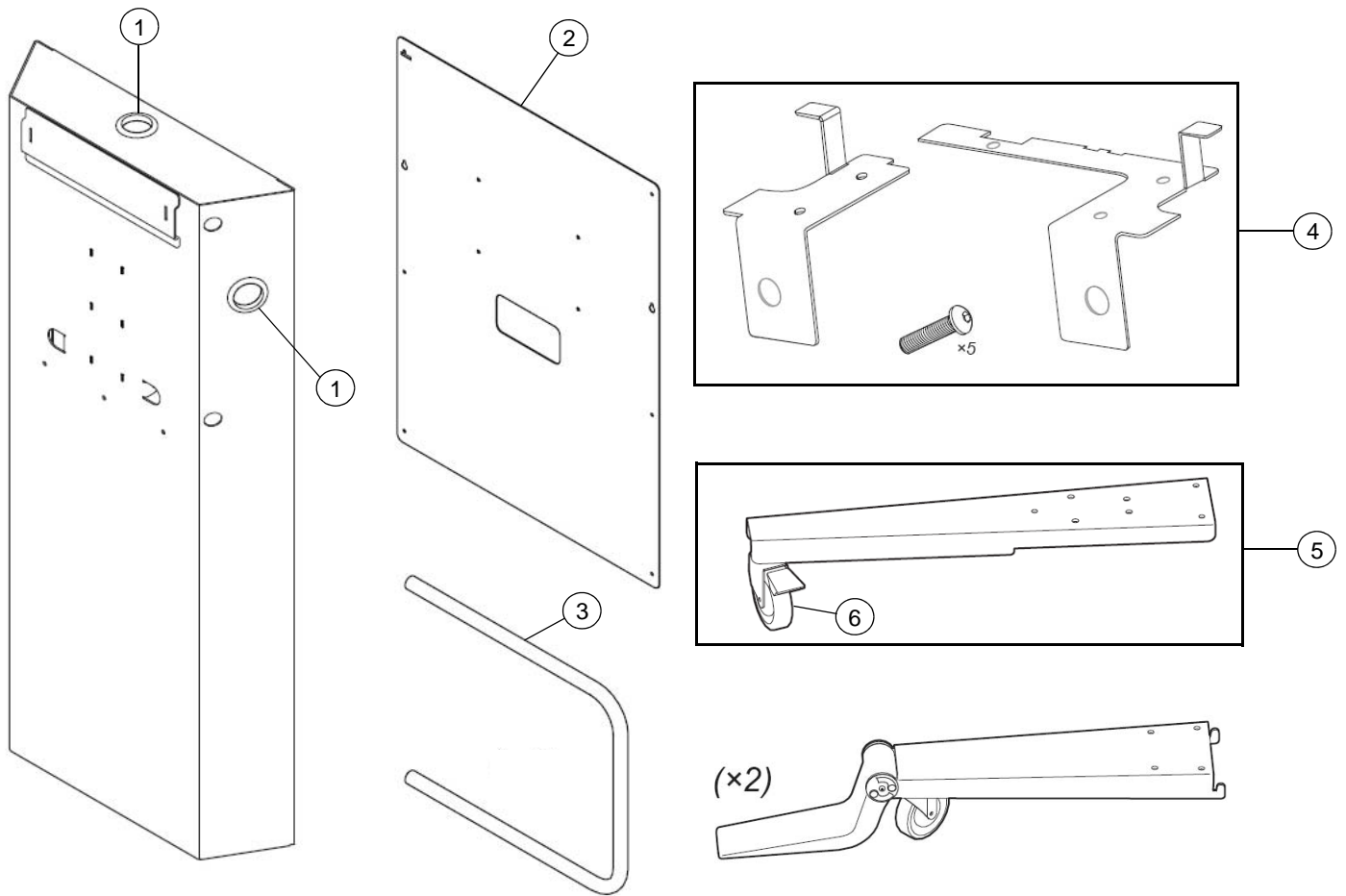
For specific technical and pricing enquiries in regards to these diagrams please contact our service parts department. Pricing is also available on-line via the SOURCE website ([source.smarttech.com](http://source.smarttech.com)).

Web Form: [www.smarttech.com/contactserviceparts](http://www.smarttech.com/contactserviceparts)

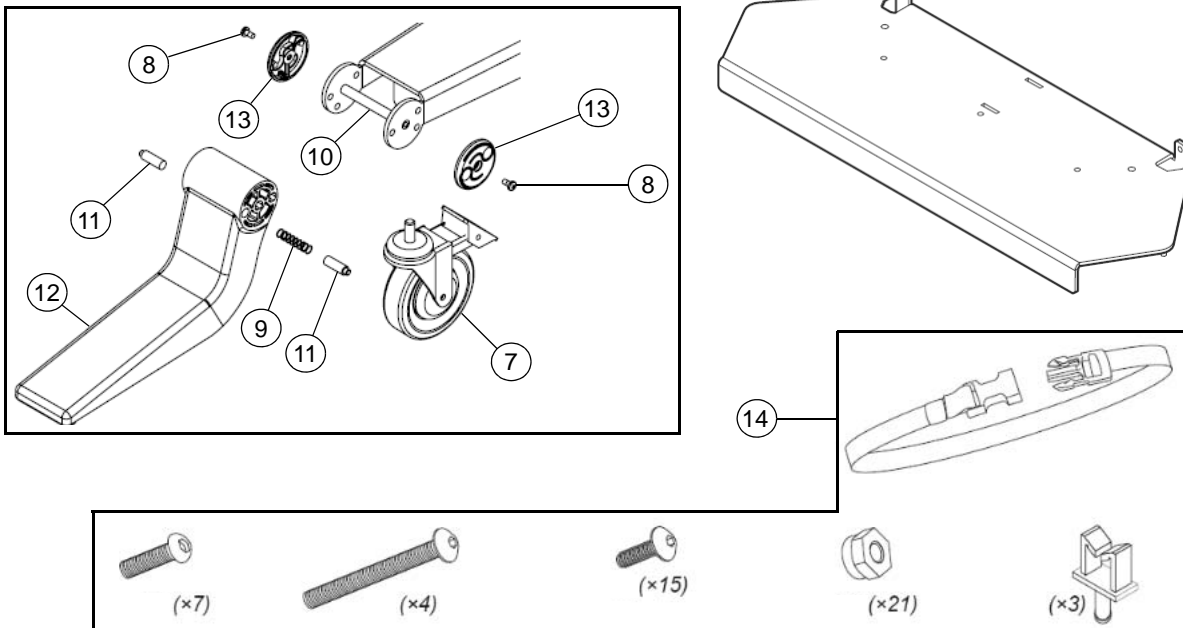
Phone: 1.888.42.SMART

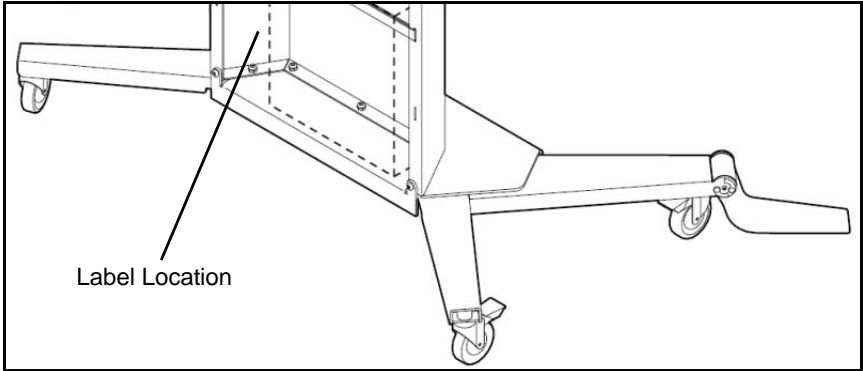
International: +1.403.245.0333

# FS-UX Parts

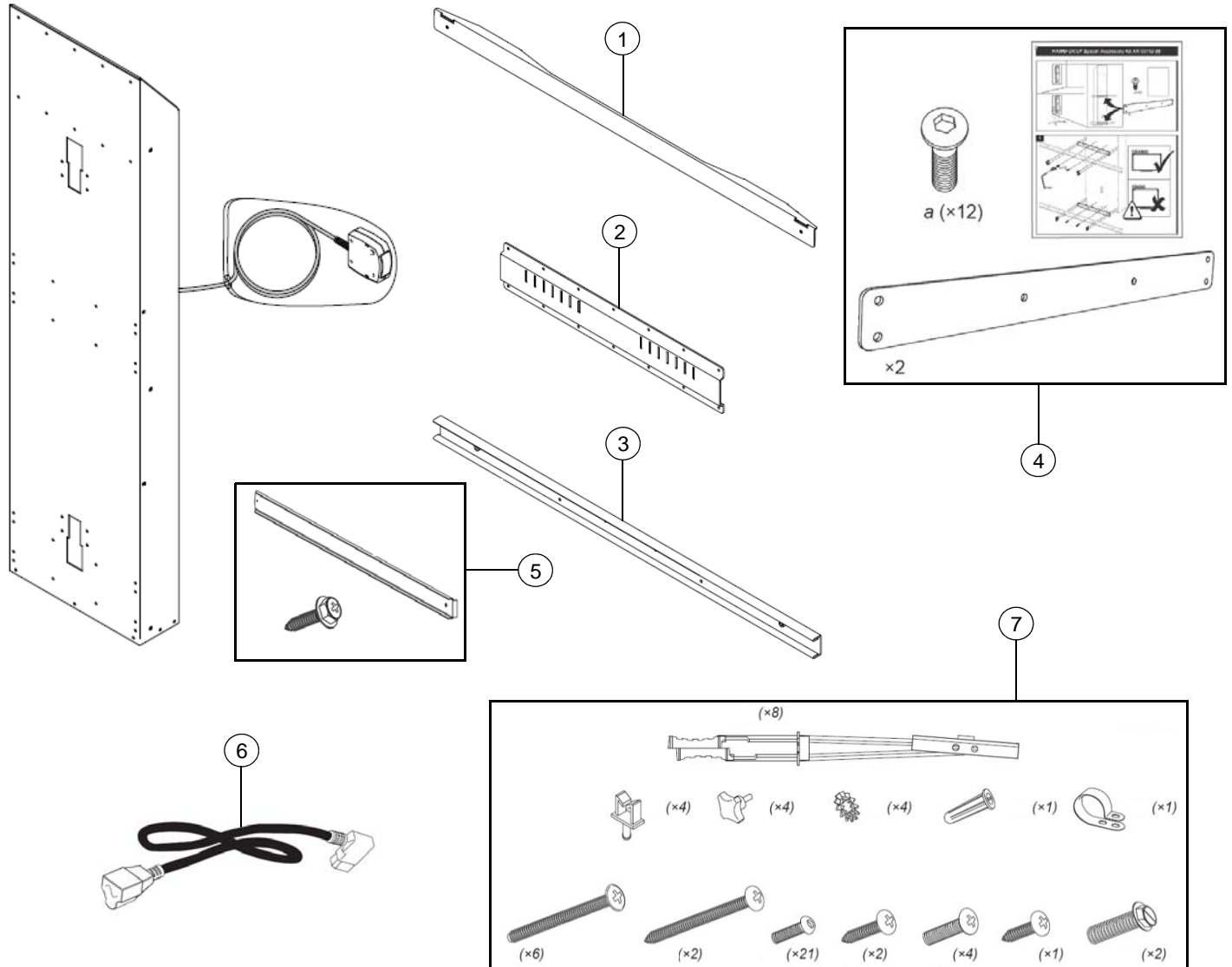


## Tip Foot Detail



Item	Part No.	Qty	Description
1	30-01181-20	3	Grommet, cable
2	51-00819-20	1	Cover, pillar
3	51-00823-20	2	Bar, grab, vertical
4	AK-00111-20	1	Assembly, accessory kit, FS-UX guarding
5	20-01274-21	2	Assembly, rear leg, FS-UX
6	1016484	2	Castor, 4" (100 mm), locking
7	1016483	2	Castor, 4" (100 mm), non-locking
8	30-01340-20	4	Screw, M5 x 10 mm, Phillips, locking
9	30-01334-20	2	Spring, compression
10	51-00827-20	2	Shaft, foot, tip
11	51-00828-20	4	Pin, locking, foot, tip
12	52-00696-20	2	Foot, tip
13	52-00697-20 or 52-00697-21	4	<p>Button, foot, tip</p> <p><b>NOTE:</b> Your product will have one of two versions of this button so you will need to verify the version you are replacing. If the label in the location below indicates part number 1007205 then you will require 52-00697-20. If the label in the location below indicates part number 1007362 then you will require 52-00697-21.</p> 
14	20-01348-20	1	Assembly, accessory kit, FS-UX, hardware

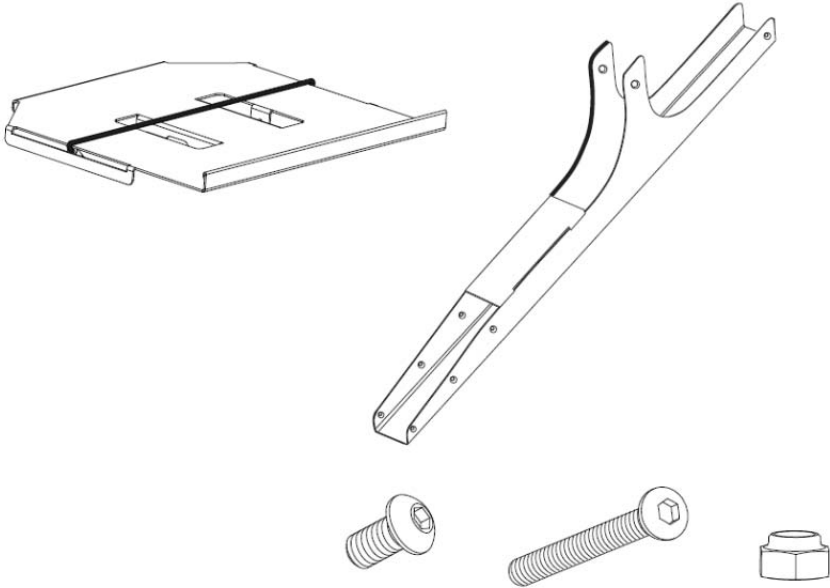
# HAWM-UX/UF Parts



Item	Part No.	Qty	Description
1	51-00831-20	2	Bracket, mounting, board
2	51-00829-21	1	Bracket, wall mount
3	51-00830-20	2	Bracket, mounting, pillar
4	AK-00112-20	1	Accessory kit, SB800 spacer
5	1025658	1	Assembly, Kit, Locking Bar
6	93-00782-20	1	Cable, power, North America, right angle, 8' (2.4 m)
6	93-00783-20	1	Cable, power, United Kingdom, right angle, 8' 2" (2.5 m)
6	93-00784-20	1	Cable, power, Europe, right angle, 8' 2" (2.5 m)
6	93-00785-20	1	Cable, power, Australia, right angle, 8' 2" (2.5 m)
6	93-00786-20	1	Cable, power, Japan, right angle, 8' 2" (2.5 m)
6	93-00787-20	1	Cable, power, China, right angle, 8' 2" (2.5 m)
6	93-00788-20	1	Cable, power, Korea, right angle, 8' 2" (2.5 m)
7	20-01346-20	1	Assembly, accessory kit, HAWM-UX/UF, hardware



**Optional Laptop Shelf for FS-UX systems (Part No. FS-UX-LTS)**



**NOTE:** Components not available separately.