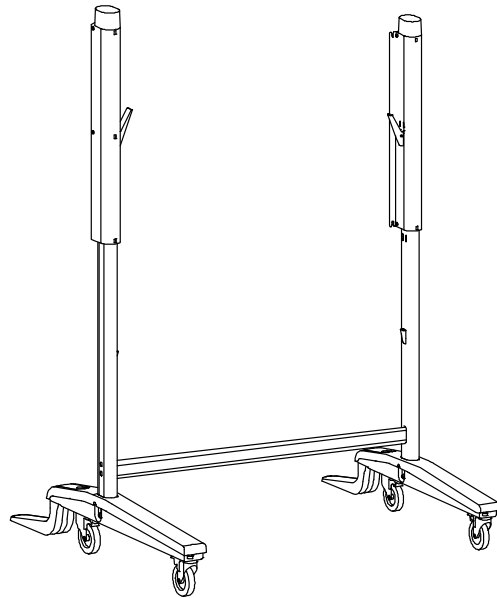


# SMART®



## *Service Parts Diagrams*

**For Model:**

**FS-SB**

**FS-SB660**

## Service Parts Diagrams Revision History

### Revision 1 - August, 2011

- New document

### Revision 2 - September, 2011

- Add 30-00981-20

### Revision 3 - February, 2012

- Add 20-01482-20

### Revision 4 - June, 2013

- Add 52-00761-20
- Remove 20-01482-20

### Standard Warranty Terms

Base product: One-year limited equipment warranty

First Customer Ship: June, 2011

---

#### SMART Technologies

3636 Research Road NW

Calgary, AB T2L 1Y1

CANADA

Support +1.403.228.5940 or Toll Free 1.866.518.6791 (Canada/U.S.)

Support Fax +1.403.806.1256

[www.smarttech.com/contactserviceparts](http://www.smarttech.com/contactserviceparts) [www.smarttech.com](http://www.smarttech.com)

The SMART logo consists of the word "SMART" in a bold, stylized, sans-serif font. The letters are black with a white outline, and a registered trademark symbol (®) is located at the bottom right of the letter "T".

# Service Parts Diagrams for the FS-SB and FS-SB660

---

Ordering Parts ..... 1  
FS-SB Parts ..... 2  
FS-SB660 Parts ..... 3



## **Ordering Parts**

### **Customers**

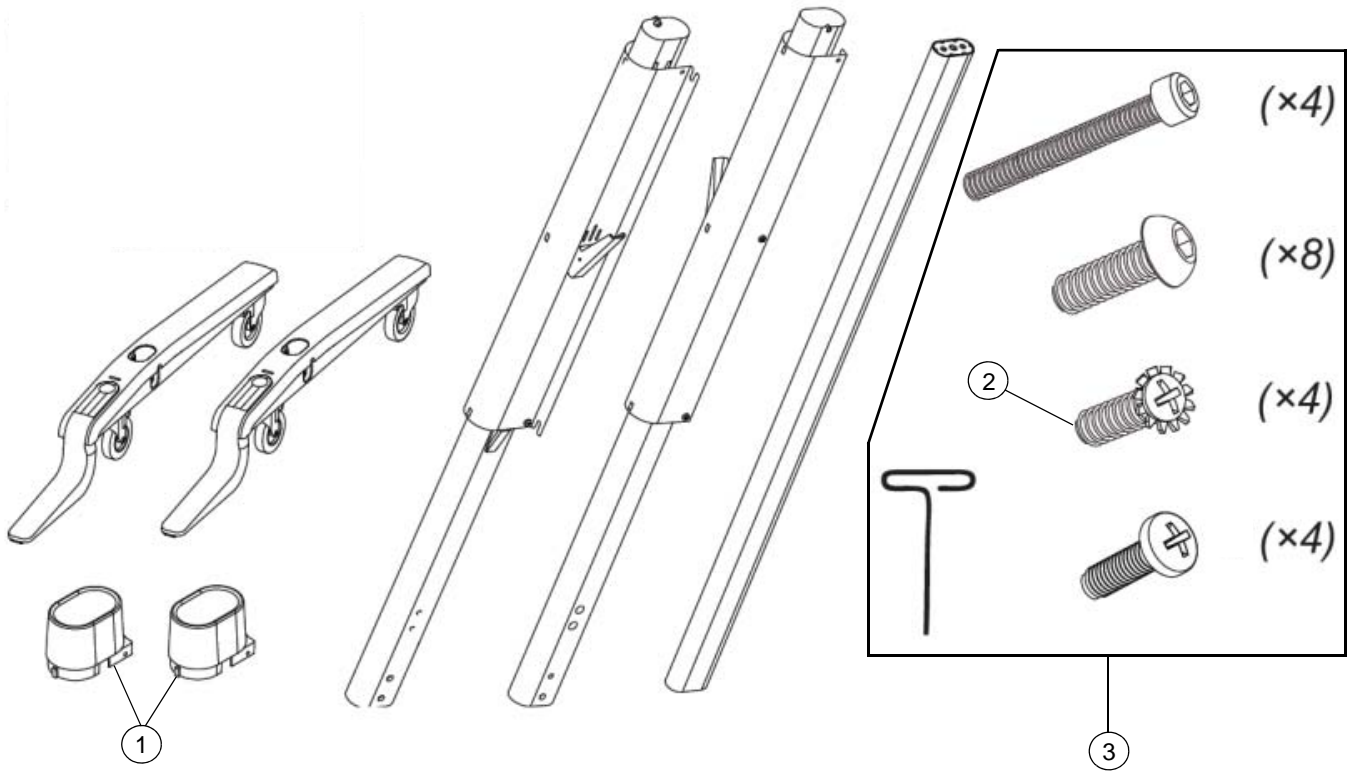
To order any of the parts in these service parts diagrams, contact your local reseller.  
To find a reseller near you, visit [www.smarttech.com/where](http://www.smarttech.com/where).

### **Dealers and Distributors**

For specific technical and pricing enquiries in regards to these diagrams please contact our service parts department.  
Pricing is also available on-line via the SOURCE website ([source.smarttech.com](http://source.smarttech.com)).

Web Form: [www.smarttech.com/contactserviceparts](http://www.smarttech.com/contactserviceparts)  
Phone: 1.888.42.SMART  
International: +1.403.245.0333

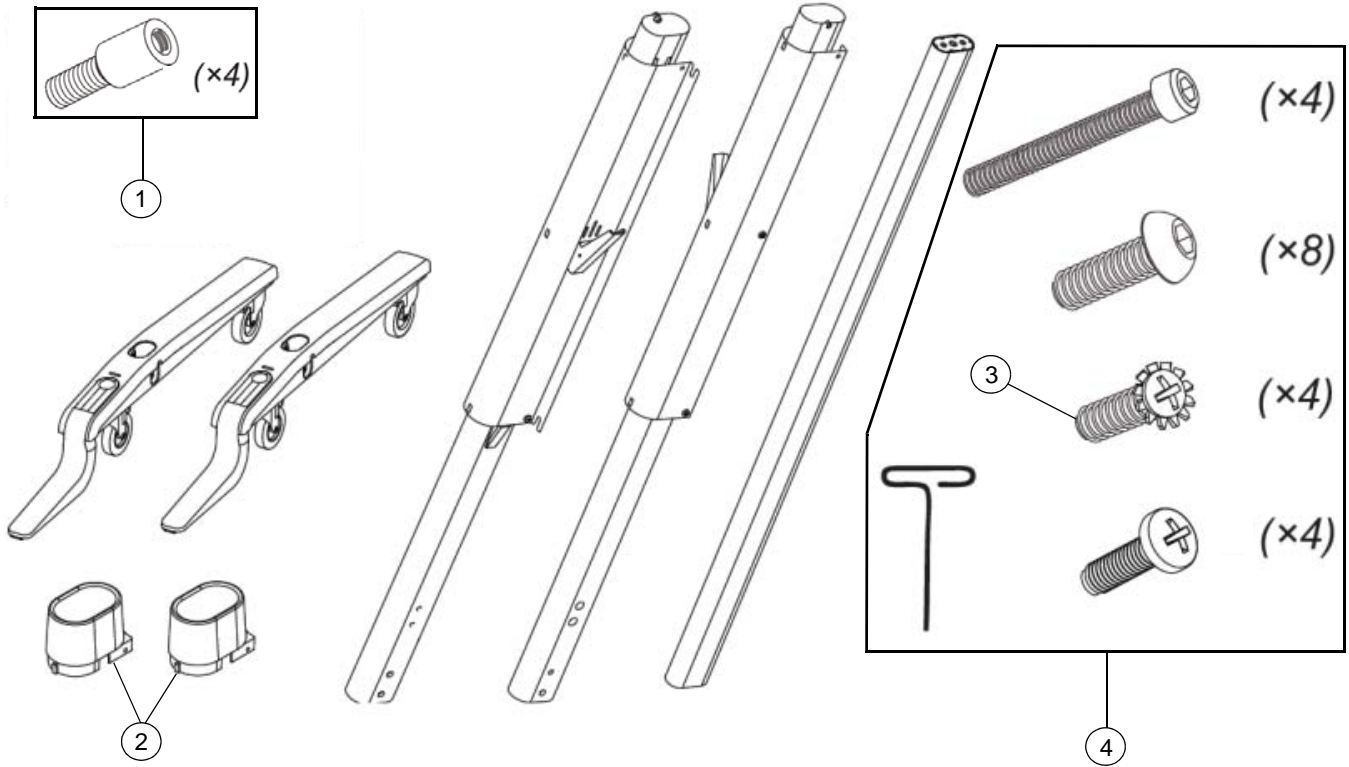
# FS-SB Parts



Item	Part No.	Qty	Description
1	52-00761-20	2	Cap, slide assembly, FS-SB
2	30-00981-20	4	Screw, 1/4"-20 x 5/8", hex, button head, SEMS <b>NOTE:</b> For attaching SMART Board to floor stand.
3	AK-00114-20	1	Accessory kit, FS-SB, hardware <b>NOTE:</b> Includes item 2.

**NOTE:** All other components not available separately.

# FS-SB660 Parts



Item	Part No.	Qty	Description
1	AK-00118-20	1	Accessory kit, FS-SB660 standoffs (set of four)
2	52-00761-20	2	Cap, slide assembly, FS-SB
3	30-00981-20	4	Screw, 1/4"-20 x 5/8", hex, button head, SEMS <b>NOTE:</b> For attaching SMART Board to floor stand.
4	AK-00114-20	1	Accessory kit, FS-SB, hardware <b>NOTE:</b> Includes item 3.

**NOTE:** All other components not available separately.