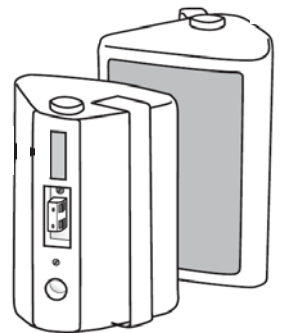
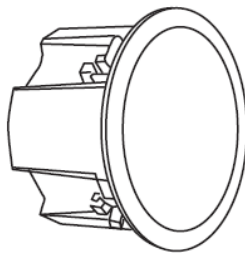
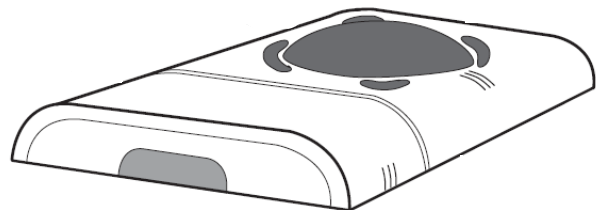
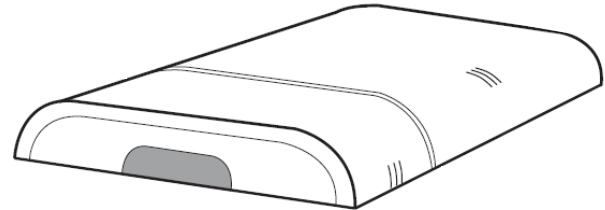


SMART™



Service Parts Diagrams

**For Model:
CAS-340
CAS-340-C
CAS-340-W**

Service Parts Diagrams Revision History

Revision 1 - June, 2011

- New document

Standard Warranty Terms

Base product: Two-year limited equipment warranty

Rechargeable lithium ion microphone batteries: One-year limited equipment warranty

First Customer Ship: May, 2011

SMART Technologies

3636 Research Road NW

Calgary, AB T2L 1Y1

CANADA

Support +1.403.228.5940 or Toll Free 1.866.518.6791 (Canada/U.S.)

Support Fax +1.403.806.1256

ServiceParts@smarttech.com www.smarttech.com

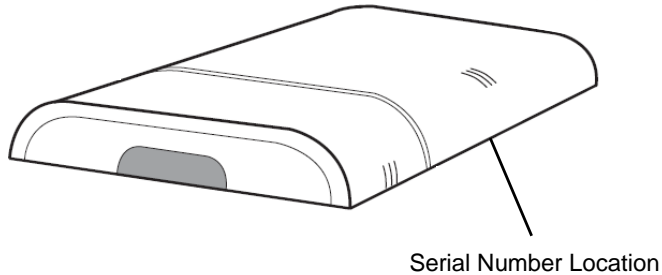


Service Parts Diagrams for the CAS-340, CAS-340-C and CAS-340-W

Identifying Your Product Using the Serial Number	1
Ordering Parts	1
Assembly, Control Unit, CAS-340 (Part No. 20-01344-20)	2
Assembly, Room Module, CAS-340/360 (Part No. 20-01456-20)	3
SMART Audio 340/360 System Wireless Infrared Transmitter Microphone (Part No. CAS-300-IRMIC)	4
Bracket, Mounting, Power Brick, CAS-340/360 (Part No. 51-00862-20)	5
SMART Audio System Ceiling Speakers - Set of Four - Included with CAS-340-C (Part No. CAS-SPKR-C)	6
SMART Audio System Wall Speakers - Set of Four - Included with CAS-340-W (Part No. CAS-SPKR-W)	7
Optional SMART Audio 340/360 System Expansion Infrared Sensor (includes 4.5m cable) (Part No. CAS-300-IRS- ENS)	8
Optional SMART Audio System Installation Cable Kit (includes 4 × 4.5m speaker cable and 15m CAT5 cable) (Part No. CAS-CBLKIT-INST)	9
Optional SMART Audio System Wired Headset Microphone Accessory (Part No. CAS-HSMIC)	10
Optional SMART Audio System Wired Lavalier Microphone Accessory (Part No. CAS-LVMIC)	11

Identifying Your Product Using the Serial Number

To make sure that you have the correct service parts diagrams, you must verify the serial number of your SMART Audio System. The serial number is located on the bottom of the control unit. An example of the serial number format is shown below.



L012DW13A1187

Unique Serial Number

Ordering Parts

Customers

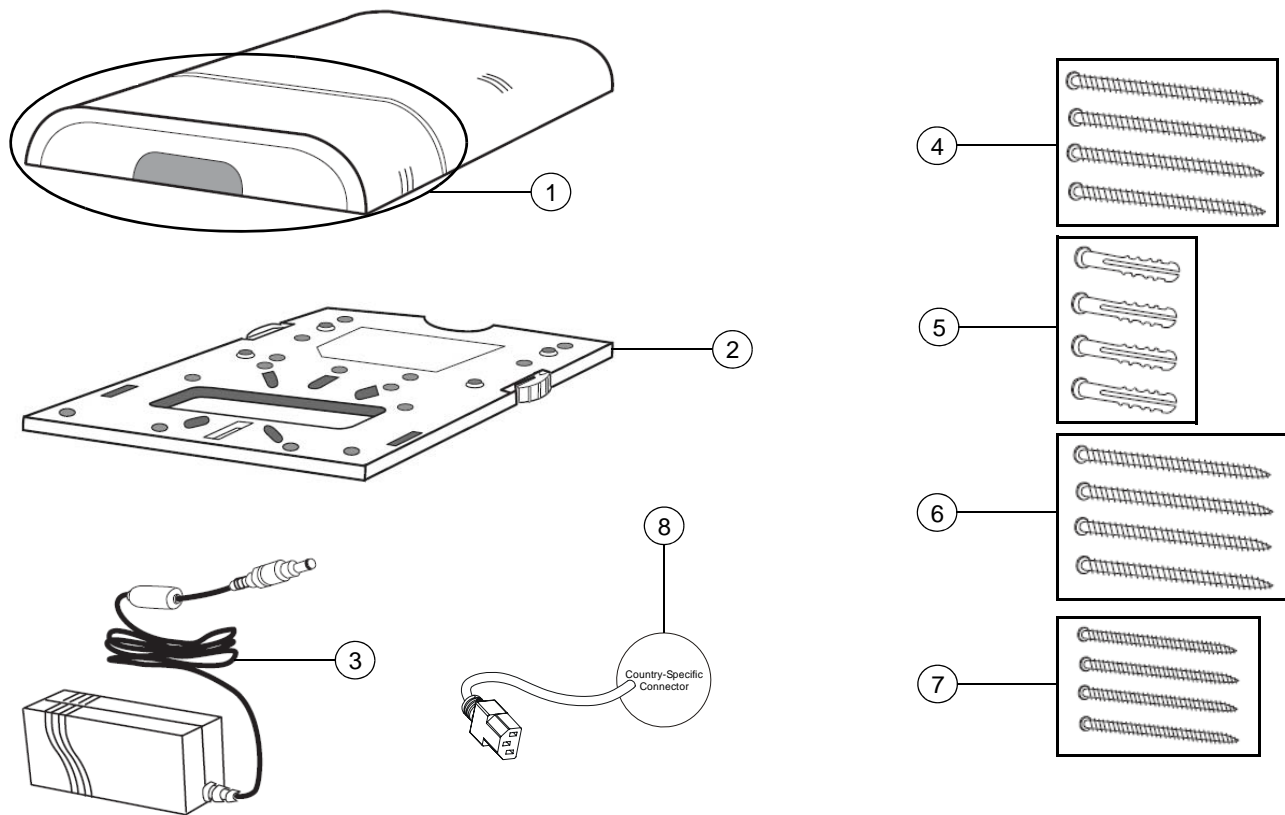
To order any of the parts in these service parts diagrams, contact your local reseller. To find a reseller near you, visit www.smarttech.com/where.

Dealers and Distributors

For specific technical and pricing enquiries in regards to these diagrams please contact our service parts department. Pricing is also available on-line via the SOURCE website (source.smarttech.com).

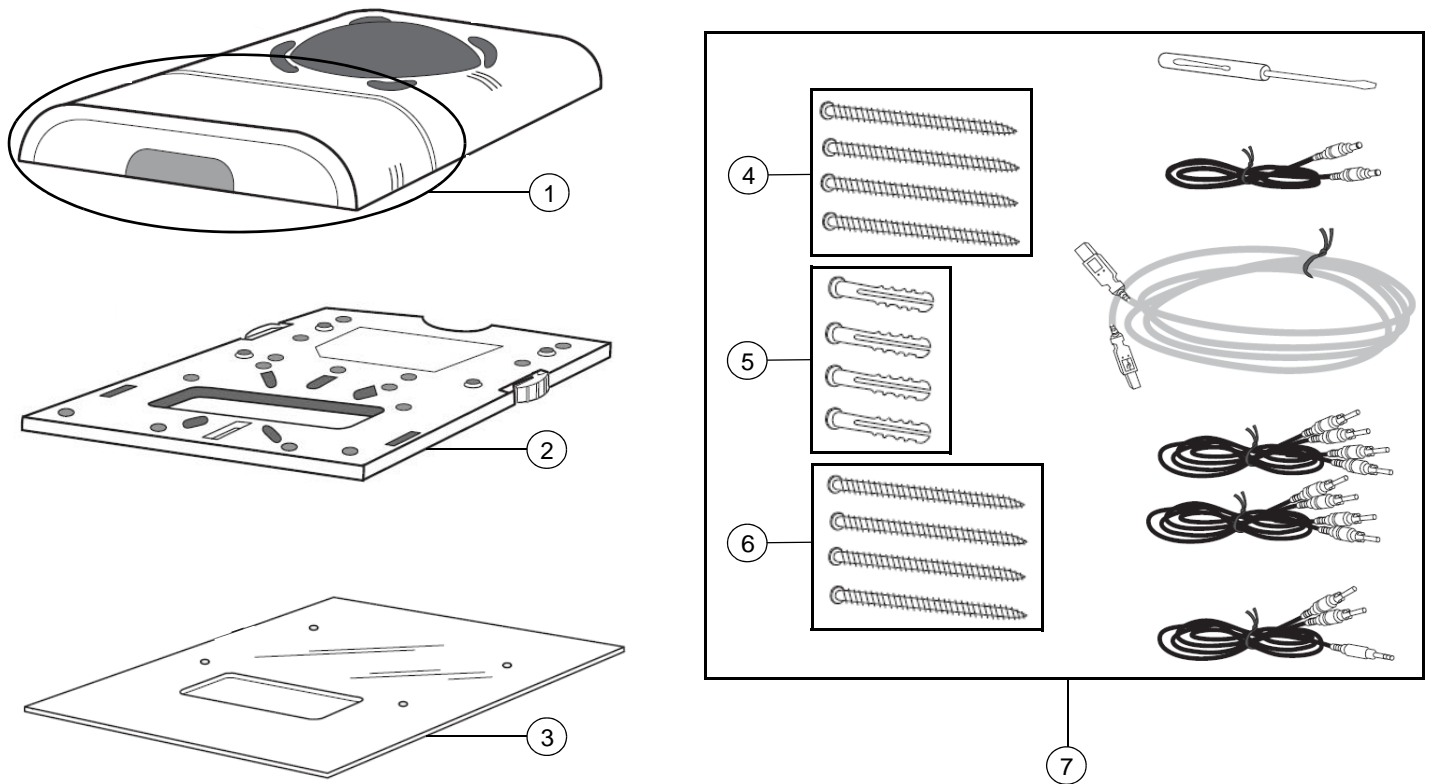
E-mail: serviceparts@smarttech.com
Phone: 1.888.42.SMART
International: +1.403.245.0333

Assembly, Control Unit, CAS-340 (Part No. 20-01344-20)



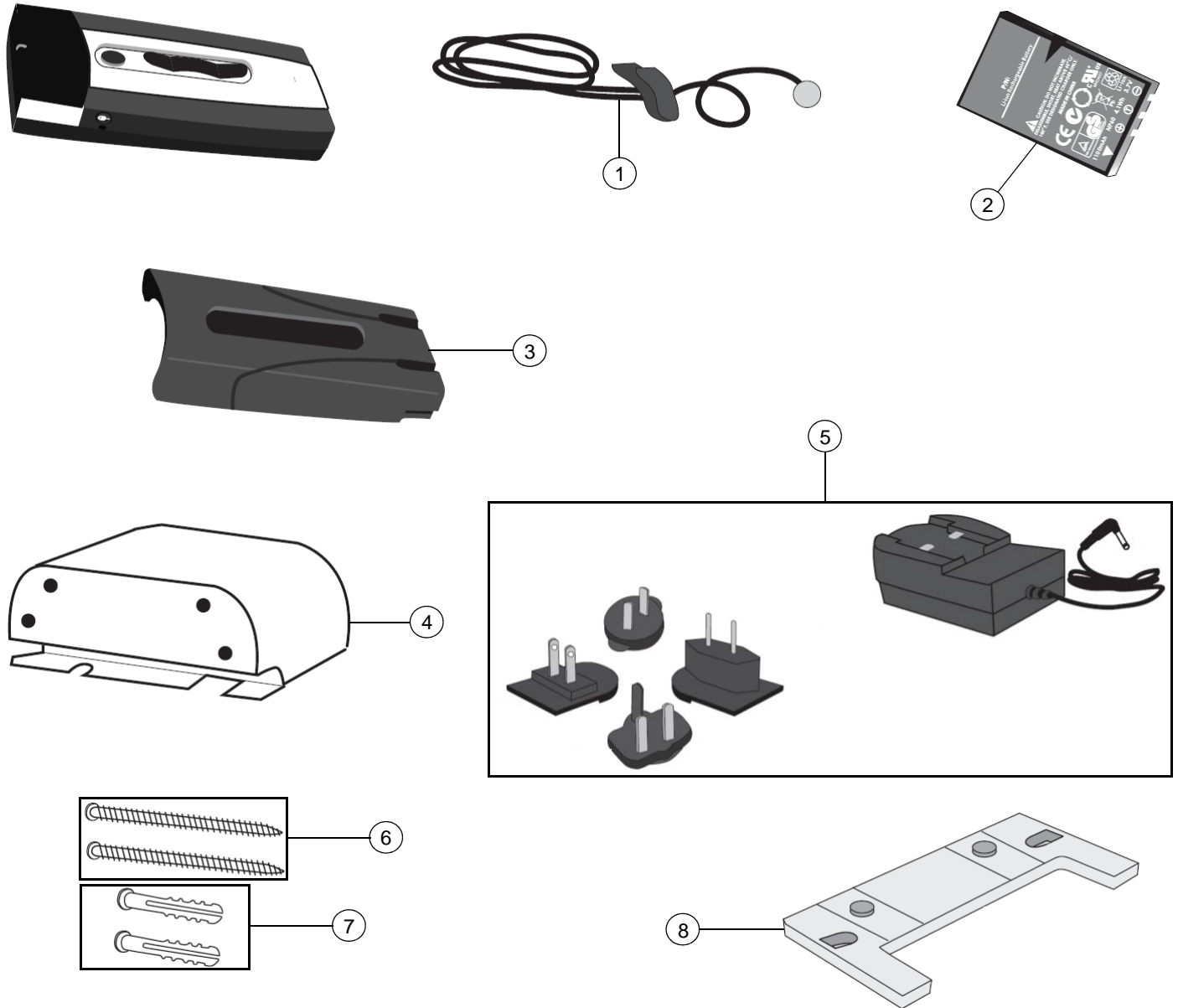
Item	Part No.	Qty	Description
1	52-00784-20	1	Cover, cables, control unit, CAS-340/360
2	52-00772-20	1	Mounting platform, control unit, CAS-340/360
3	60-00057-20	1	Power supply, control unit, 19V DC, 3.2A, universal switching, CAS-340/360
4	30-01414-20	4	Screw, No. 8 × 1 1/2", sheet metal, Phillips, pan head
5	30-01415-20	4	Anchor, No. 8, drywall
6	30-01416-20	4	Screw, No. 6 × 1 1/2", sheet metal, Phillips, pan head
7	30-01417-20	4	Screw, No. 6 × 1/2", sheet metal, Phillips, pan head
8	93-051	1	Cable, power, North America, 8' (2.4 m)
8	93-055	1	Cable, power, United Kingdom, 8' (2.4 m)
8	93-056	1	Cable, power, Australia, 8' (2.4 m)
8	93-054	1	Cable, power, Europe, 8' (2.4 m)
8	93-00708-20	1	Cable, power, China, 8' (2.4 m)

Assembly, Room Module, CAS-340/360 (Part No. 20-01456-20)



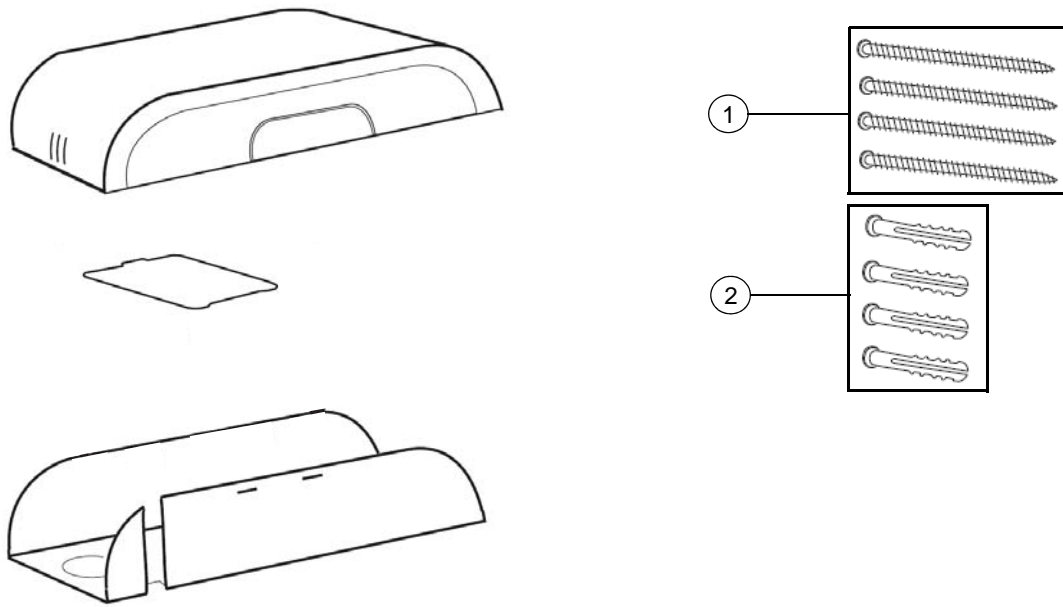
Item	Part No.	Qty	Description
1	52-00785-20	1	Cover, cables, room module, CAS-340/360
2	52-00783-20	1	Mounting platform, room module, CAS-340/360
3	51-00926-20	1	Security plate, room module, CAS-340/360
4	30-01414-20	4	Screw, No. 8 x 1 1/2", sheet metal, Phillips, pan head
5	30-01415-20	4	Anchor, No. 8, drywall
6	30-01416-20	4	Screw, No. 6 x 1 1/2", sheet metal, Phillips, pan head
7	20-01481-20	1	Assembly, cable kit, CAS-340/360 NOTE: Includes items 4, 5, 6 and the following: 1 piece - Screwdriver, slot drive, 1/8" (3.2 mm) 1 piece - Cable, audio, 3.5 mm male to 3.5 mm male, 1' 8" (50 cm) 1 piece - Cable, USB, A-B, 6' 7" (2 m) 2 pieces - Cable, audio, dual RCA male to dual RCA male, 6' 7" (2 m) 1 piece - Cable, audio, 3.5 mm male to dual RCA male, 6' 7" (2 m)

SMART Audio 340/360 System Wireless Infrared Transmitter Microphone (Part No. CAS-300-IRMIC)



Item	Part No.	Qty	Description
1	01-00285-20	1	Lanyard, microphone, CAS-340/360
2	01-00246-20	1	Battery, lithium ion, 5V, 1100 mA, CAS-340/360
3	52-00766-20	1	Sleeve, microphone, CAS-340/360
4	03-00201-20	1	Charging station, microphone, CAS-340/360
5	60-00060-20	1	Power supply, microphone, 5V DC, 0.4A, universal switching, CAS-340/360
6	30-01416-20	2	Screw, No. 6 x 1 1/2", sheet metal, Phillips, pan head
7	30-01418-20	2	Anchor, No. 6, drywall
8	52-00802-20	1	Mounting plate, charging station, CAS-340/360

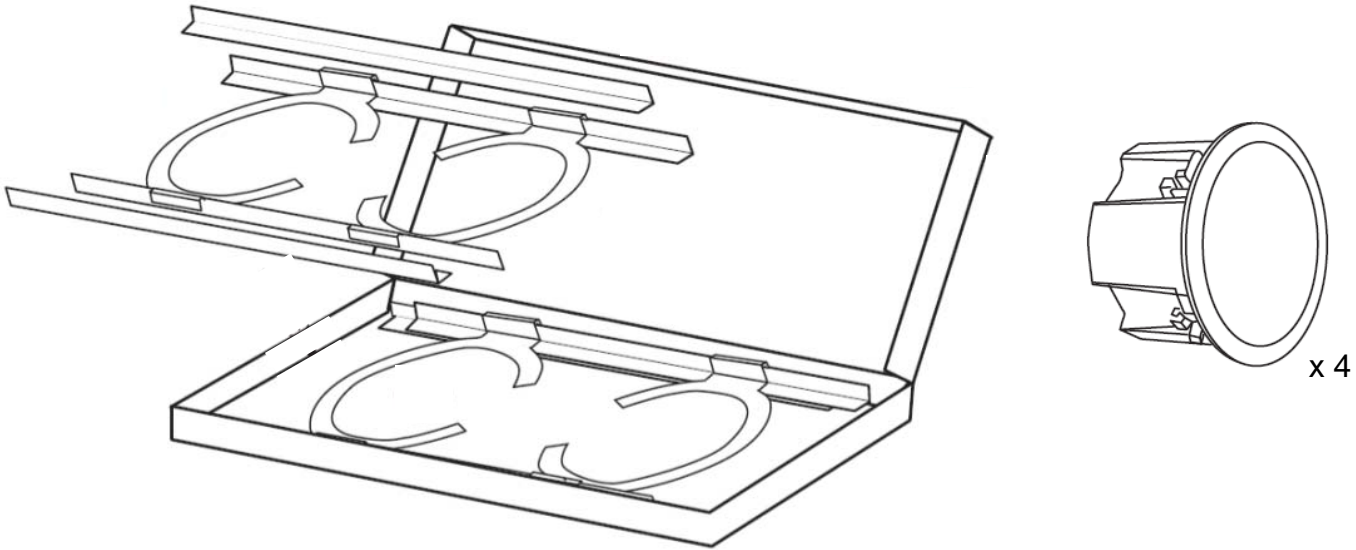
Bracket, Mounting, Power Brick, CAS-340/360 (Part No. 51-00862-20)



Item	Part No.	Qty	Description
1	30-01414-20	4	Screw, No. 8 x 1 1/2", sheet metal, Phillips, pan head
2	30-01415-20	4	Anchor, No. 8, drywall

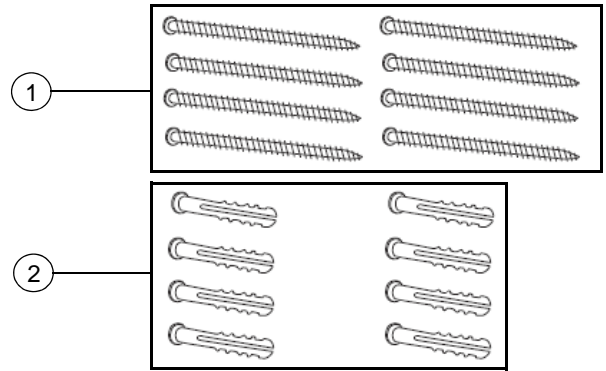
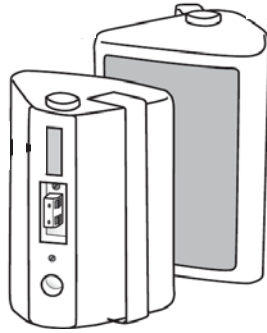
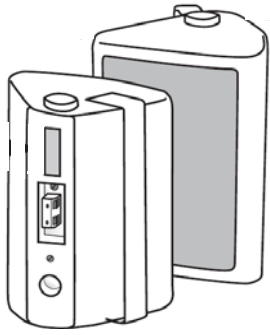
NOTE: All other components not available separately.

**SMART Audio System Ceiling Speakers - Set of Four - Included with CAS-340-C
(includes 4 ceiling tile bridges) (Part No. CAS-SPKR-C)**



NOTE: Components not available separately.

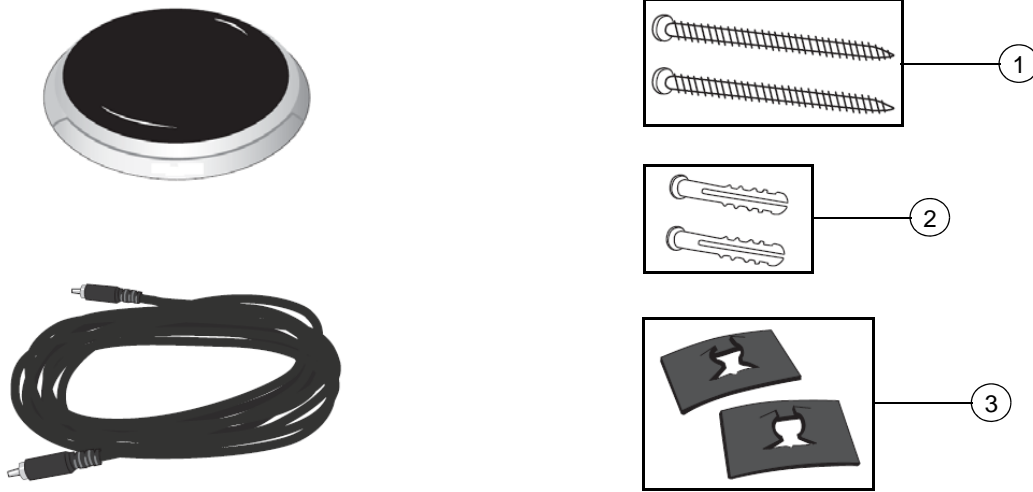
SMART Audio System Wall Speakers - Set of Four - Included with CAS-340-W (Part No. CAS-SPKR-W)



Item	Part No.	Qty	Description
1	30-01414-20	8	Screw, No. 8 x 1 1/2", sheet metal, Phillips, pan head
2	30-01415-20	8	Anchor, No. 8, drywall

NOTE: All other components not available separately.

Optional SMART Audio 340/360 System Expansion Infrared Sensor (includes 4.5 m cable) (Part No. CAS-300-IRSENS)



Item	Part No.	Qty	Description
1	30-01414-20	2	Screw, No. 8 x 1 1/2", sheet metal, Phillips, pan head
2	30-01415-20	2	Anchor, No. 8, drywall
3	30-01439-20	2	Nut, No. 8, Tinnerman

NOTE: All other components not available separately.

Optional SMART Audio System Installation Cable Kit (includes 4 x 4.5 m speaker cable and 15 m CAT5 cable) (Part No. CAS-CBLKIT-INST)



NOTE: Components not available separately.

**Optional SMART Audio System Wired Headset Microphone Accessory
(Part No. CAS-HSMIC)**



**Optional SMART Audio System Wired Lavalier Microphone Accessory
(Part No. CAS-LVMIC)**

