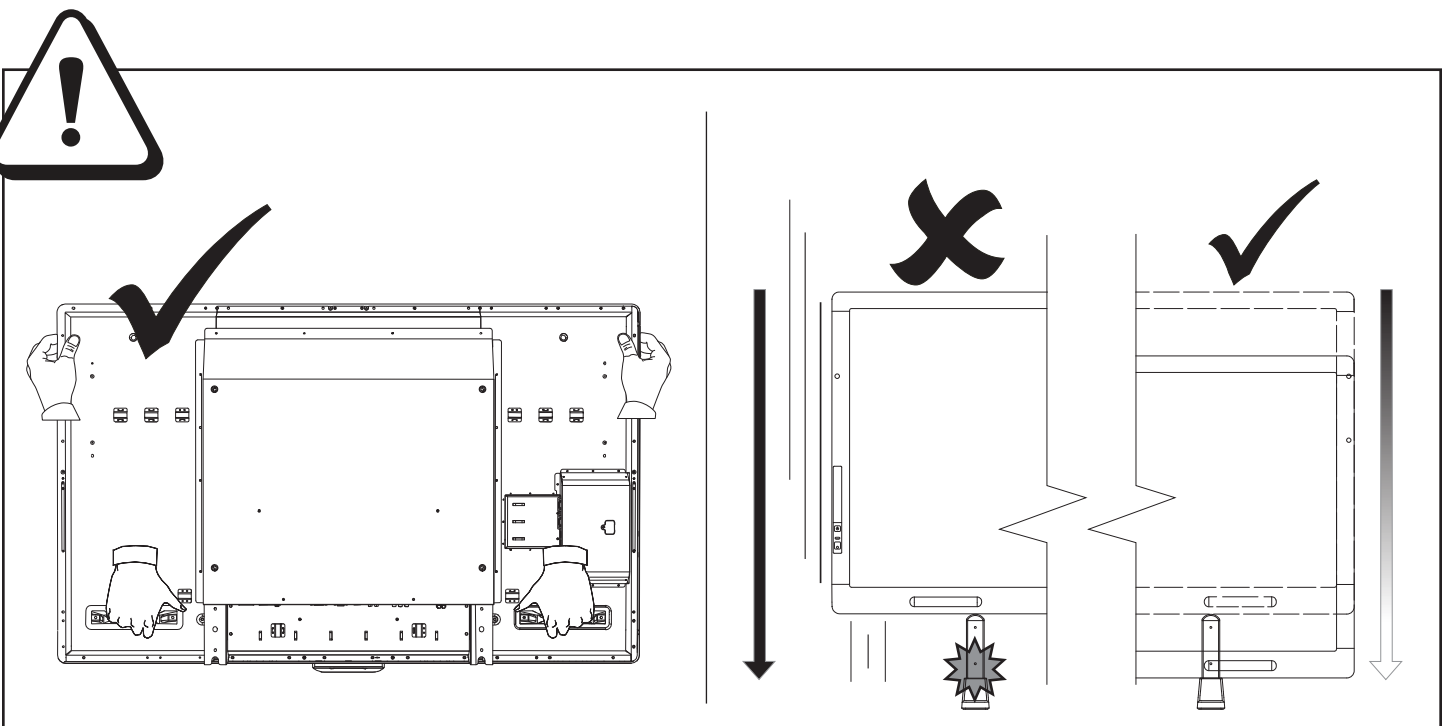
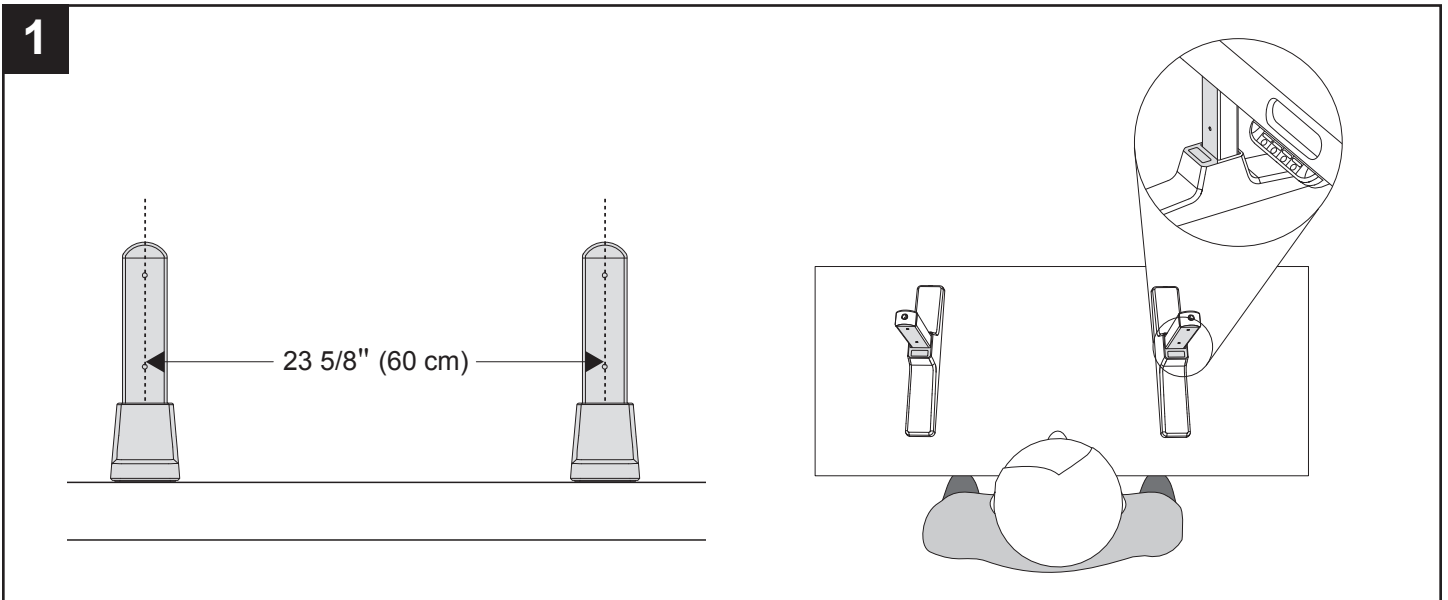
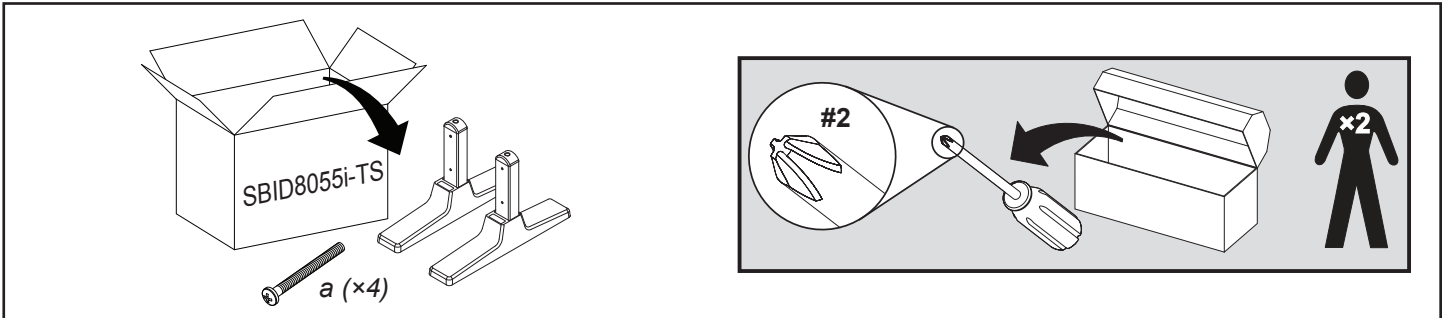
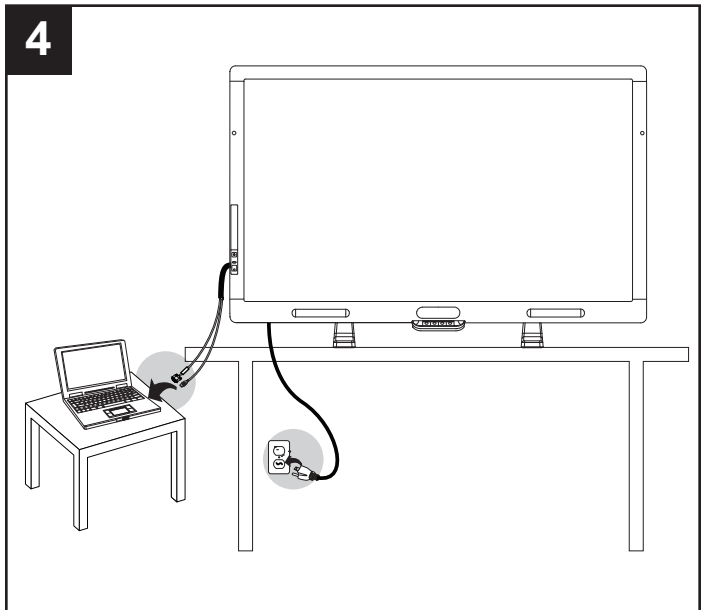
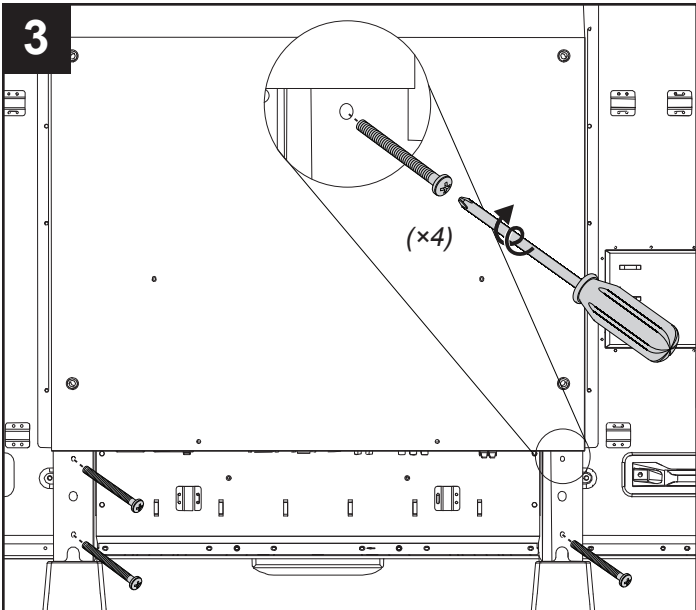
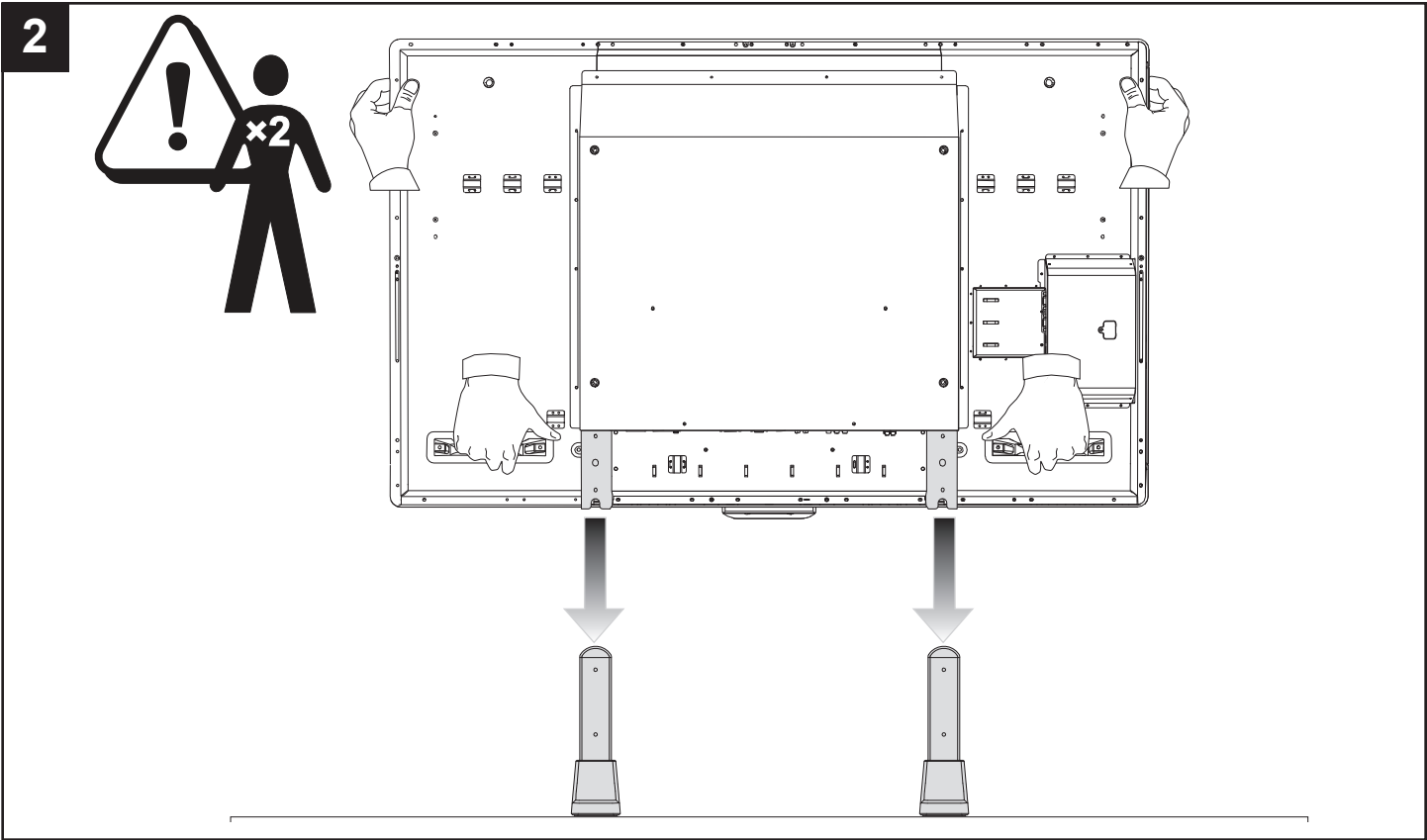


SBID8055i-TS



(smarttech.com/kb/170188)





www.smarttech.com/support
www.smarttech.com/contactsupport

SMART[®]

© 2012 SMART Technologies ULC. All rights reserved. SMART Board, smarttech, the SMART logo and all SMART taglines are trademarks or registered trademarks of SMART Technologies ULC in the U.S. and/or other countries. All other third-party product and company names may be trademarks of their respective owners. One or more of the following patents: US6320597; US6326954; US6563491; US6741267; US6803906; US6829372; US6947032; US6954197; US6972401; US7151533; US7236162; US7411575; US7619617; US7643006; US7692625; US7755613; US7757001; US7880720; USD612396; USD616462; USD617332 and USD636784. Other patents pending.

1018148 Rev 01

Contents are subject to change without notice. 05/2012.