

PLEASE THINK BEFORE YOU PRINT

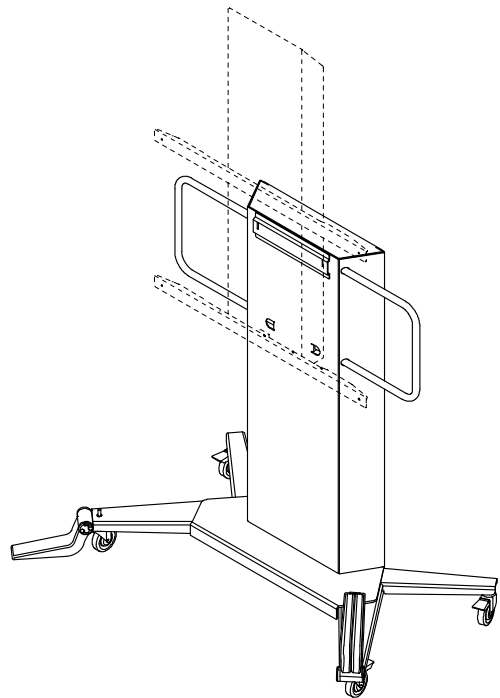
Specifications

SMART Mobile Height-Adjustable Floor Stand

Model FS-UX

Physical specifications

Size	
Wall mount	43 1/2" W x 58" H x 7" D (110 cm x 147 cm x 17.7 cm)
Floor stand	69 1/2" W x 61 3/4" H x 39 1/2" D (176.7 cm x 157 cm x 100.3 cm)
Weight	
Wall mount	98 lb. (44.4 kg)
Floor stand	176 lb. 8 oz. (80.1 kg)
Shipping size	
Wall mount	21 3/4" W x 61 3/4" H x 7 1/4" D (55.2 cm x 157 cm x 18.4 cm)
Floor stand	38" W x 59" H x 9" D (96.5 cm x 149.9 cm x 22.9 cm)
Shipping weight	
Wall mount	110 lb. (49.9 kg)
Floor stand	207 lb. (94 kg)



All dimensions +/- 1/8" (0.3 cm). All weights +/- 2 lb. (0.9 kg).

i NOTE

For a list of supported interactive projector systems, as well as their shipping sizes, weights and order numbers, see smarttech.com/supportedsystems.

Standard features

Adjustable height

25" (63 cm) of vertical travel enables you to raise or lower the interactive whiteboard to a convenient height.

With SMART Board® 660 interactive whiteboard

Reach points for this interactive whiteboard on the floor stand

Interactive

whiteboard position	Lowest reach point	Highest reach point
Lowest position	19" (48 cm)	57 1/2" (146 cm)
Highest position	44" (112 cm)	82 1/2" (210 cm)

With SMART Board 680, 685, 880 or 885 interactive whiteboard

Reach points for these interactive whiteboards on the floor stand

Interactive

whiteboard position	Lowest reach point	Highest reach point
Lowest position	11 1/4" (28 cm)	57 1/2" (146 cm)
Highest position	36 1/4" (92 cm)	82 3/8" (209 cm)

NOTES

- Reach point refers to the height of the SMART Board interactive whiteboard's touchable screen (see *Mobility and display dimensions* on page 4 for more information).
- See smarttech.com/support for your interactive whiteboard's specifications.

Power source

The wall mount's lifting mechanism operates from 115V to 230V sources.

The wall mount uses 100 W while raising or lowering your interactive whiteboard and uses 3 W at 120 VAC to 8W at 240 VAC in Standby mode.

Security

Height-adjustable mount automatically locks in position

Mobility

The floor stand features two vertical grab bars which enable you to easily move the unit. The self-contained system rolls on 4" (10 cm) heavy-duty, non-marking, locking casters.

System stability

The floor stand is equipped with locking anti-tip feet compliant with CSA/CE safety requirements. Its wide footprint and reinforced steel frame provide excellent stability for writing on or touching your interactive product.

Room-to-room mobility (SMART UX60 projector systems only)

Pivots through a 30" (76 cm) doorway

IMPORTANT

When used with a SMART UF55, UF65 or UF75 projector, the floor stand is intended for in-room mobility only. The length of the boom on these projectors prevent them from passing through standard doorways.

Environmental compliance

China EIP, EU REACH, EU RoHS, EU WEEE, US Packaging, US Conflict Minerals

Regulatory certification

CSA, CE, WEEE

Warranty Two-year limited equipment warranty

Integration features

SMART Products Your SMART Mobile Height-Adjustable Floor Stand integrates with many SMART Board projector systems.

For a list of supported products, see [smarttech.com/suportedsystems](https://www.smarttech.com/suportedsystems).



IMPORTANT

The floor stand is not compatible with SMART Board 685 interactive whiteboards with serial numbers lower than SB685-R2-670000 or serial numbers lower than SD685-R2-002000 that were distributed in Europe and North, Central, and South America.

Storage and operating specifications

Operating temperature Operating temperature range depends on your projector and interactive whiteboard. See your product documentation for more information.

Storage temperature -40°F to 140°F (-40°C to 60°C)

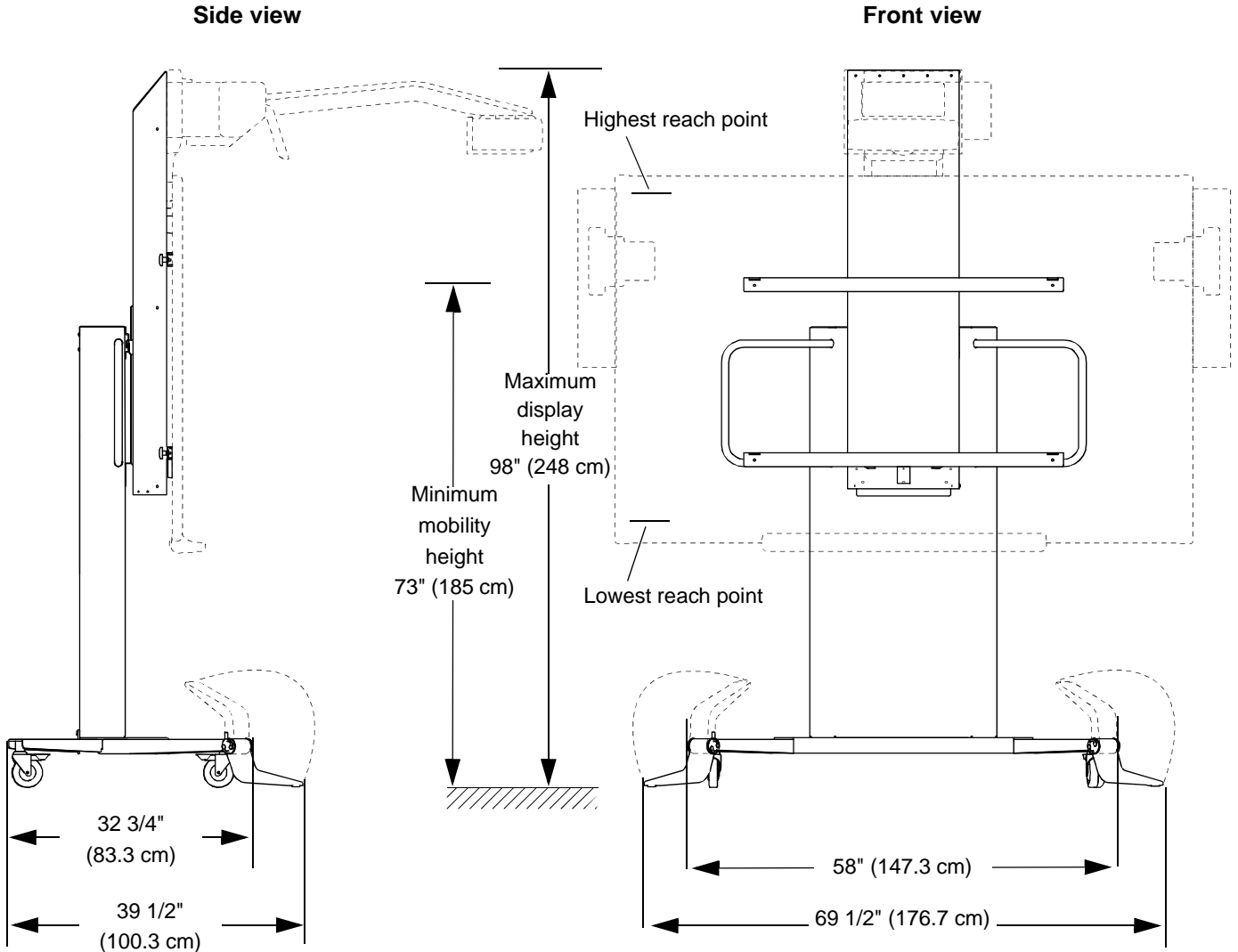
Humidity 95°F (35°C) with up to 85% relative humidity, non-condensing

SMART order numbers

FS-UX Mobile Height-Adjustable Floor Stand for SMART Board interactive whiteboards. This product includes both a height-adjustable wall mount and a floor stand.

FS-UX-LTS Laptop shelf for the SMART FS-UX Mobile Height-Adjustable Floor Stand

Mobility and display dimensions



Back view (bottom cavity)

