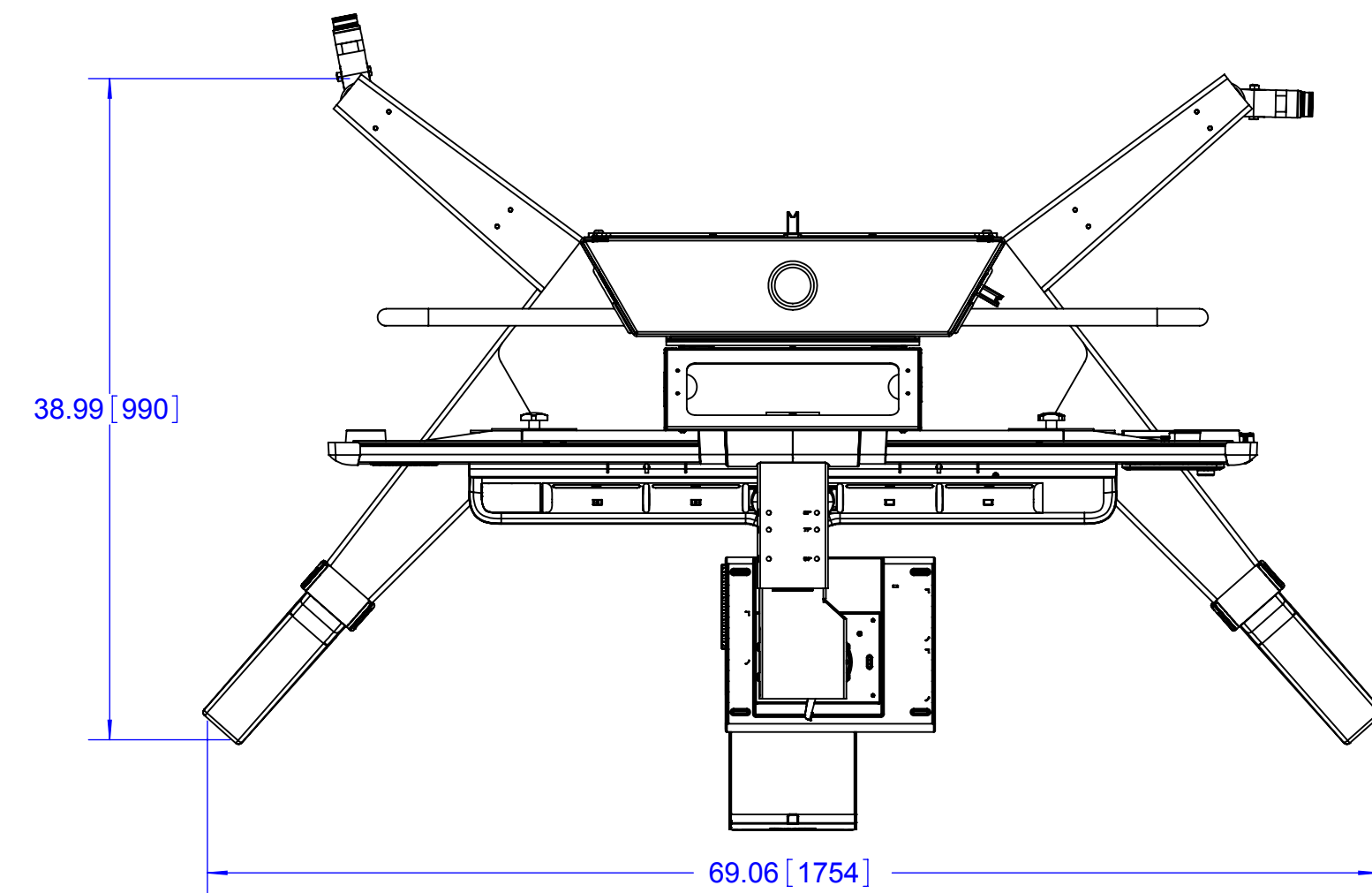
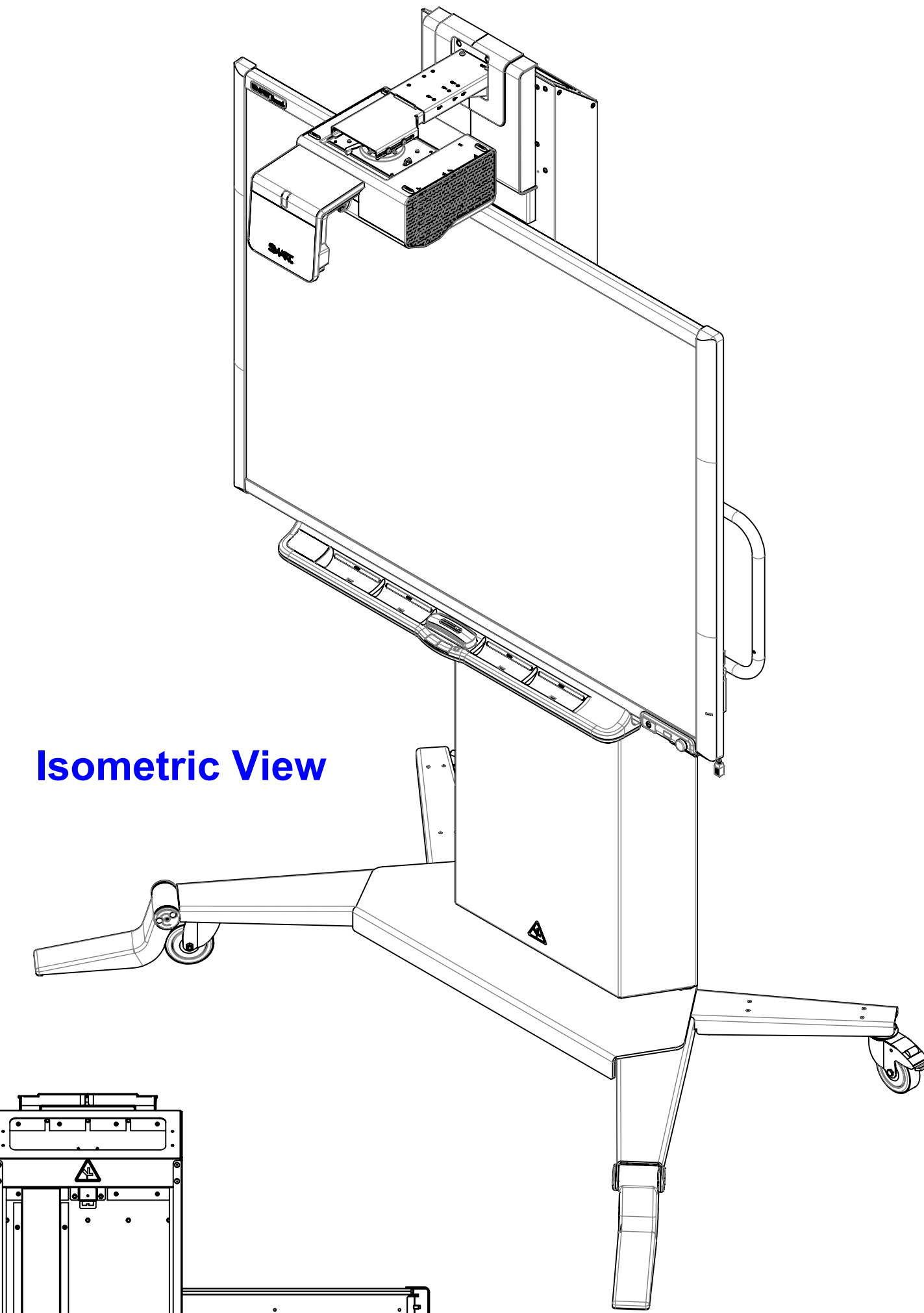


FS-UX with SB660i5

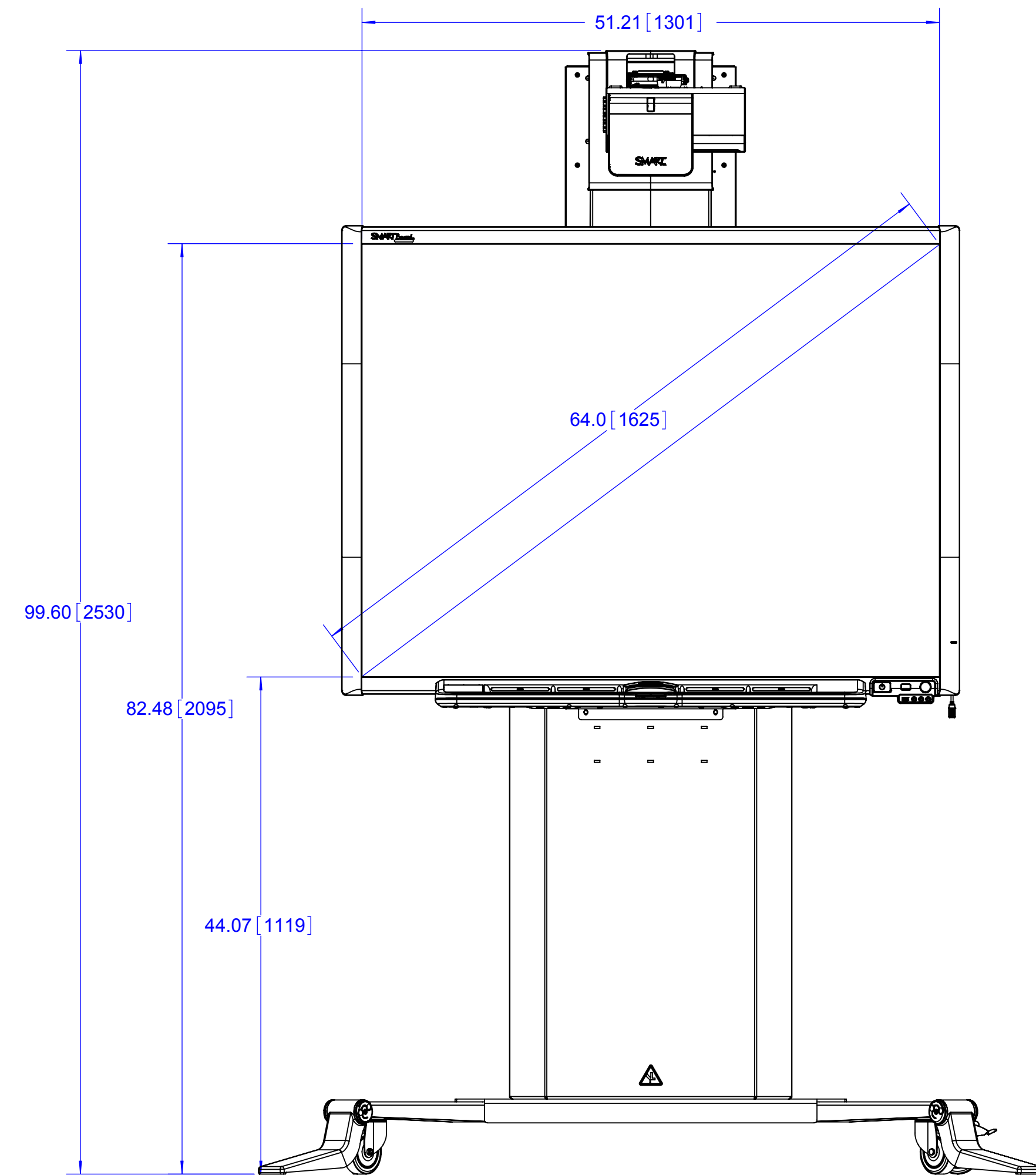
SHOWN IN THE HIGHEST POSITION WITH THE TIP FEET DOWN.
SEE PAGE 2 FOR THE LOWEST POSITION WITH THE TIP FOOT UP.



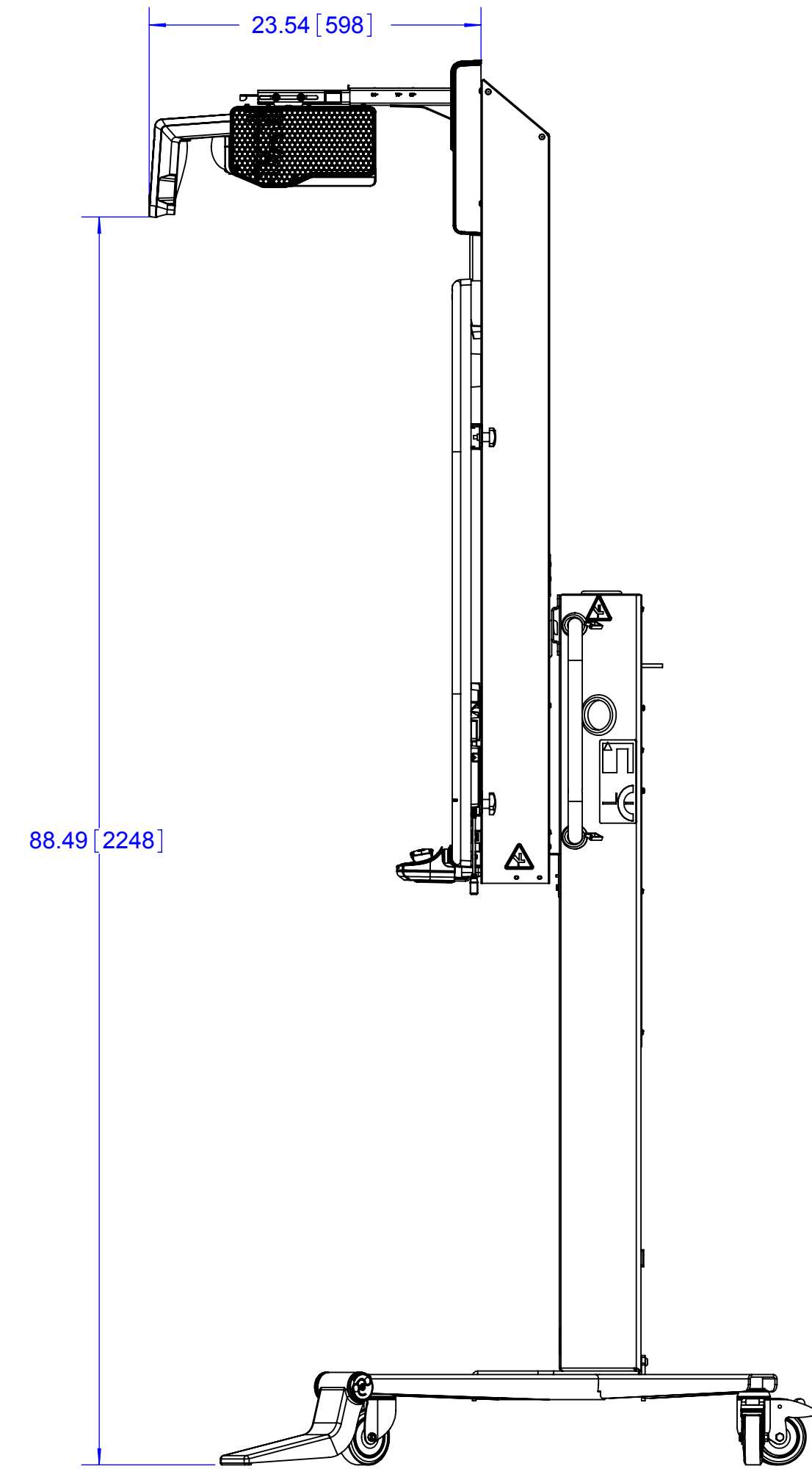
Top View



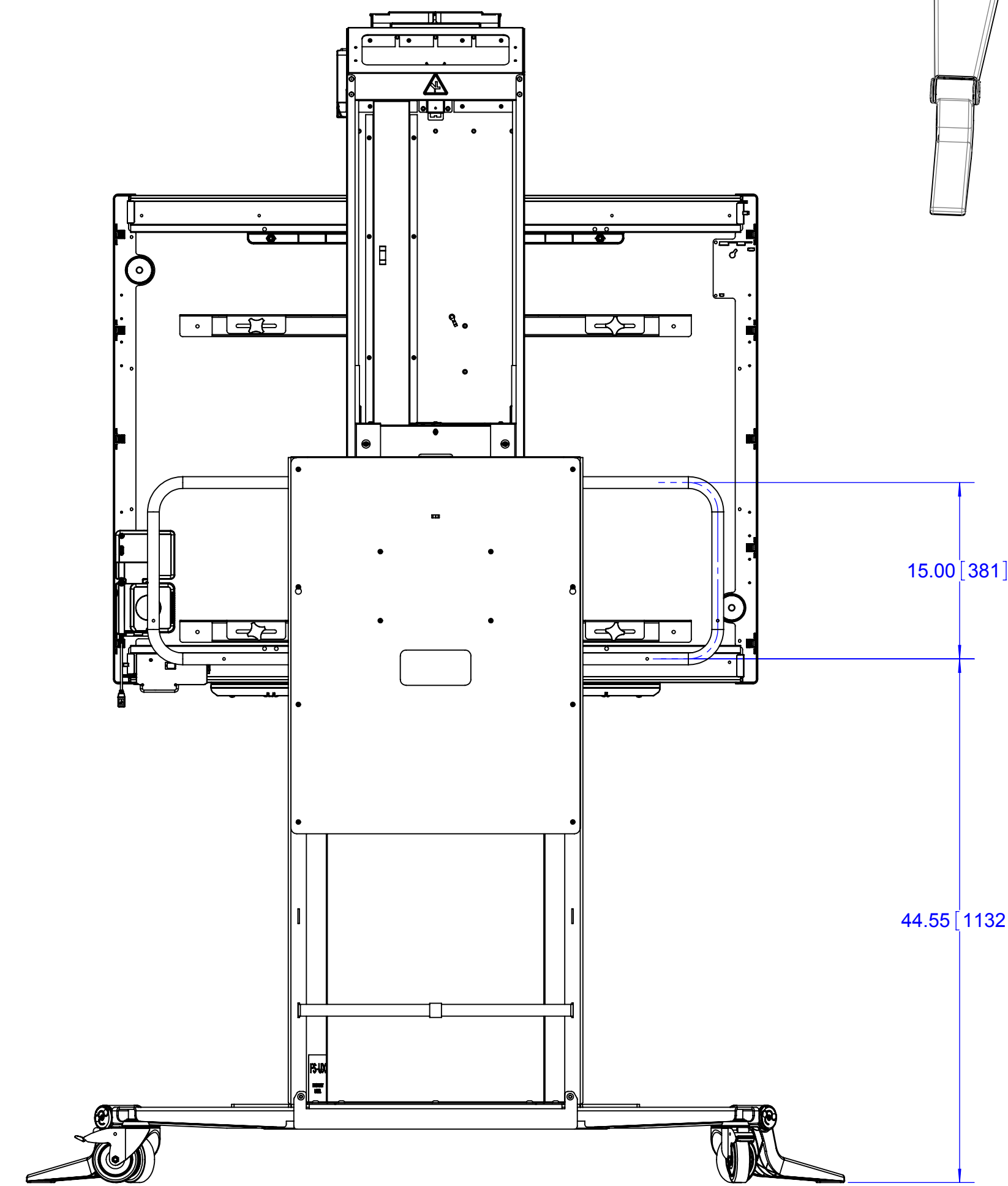
Isometric View



Front View



Side View



Back View

These drawings are for outline and installation purposes only.

All dimensions are given in inches (millimeters).

Dimensions are subject to change without notice.

All dimensions +/-1/8 (3mm)

NOTE: DO NOT SCALE

The contents of this document are compiled from a variety of documents to provide a consolidated view of key criteria. Should there be any information you need that is not adequately captured in either this document or the related documents, please contact us at ecosystem@smarttech.com for assistance.

This document is uncontrolled at the time of printing. Please ensure you are using the latest revision available at sen.smarttech.com



3636 Research Road NW
Calgary, Alberta T2L 1Y1
CANADA

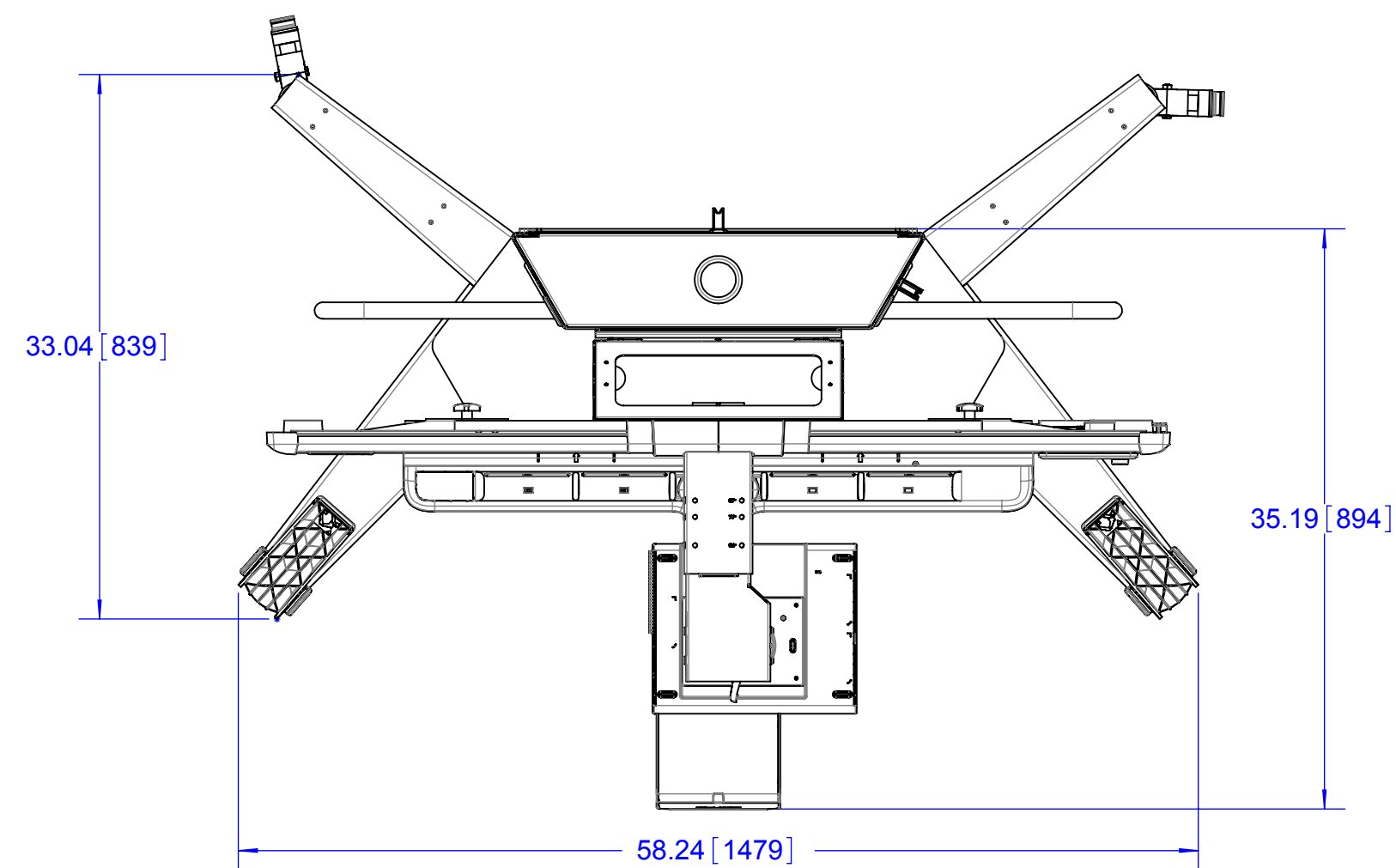
© 2013 SMART Technologies ULC.
All rights reserved.
The SMART logo, smarttech and all SMART taglines are trademarks or registered trademarks of SMART Technologies ULC in the U.S. and/or other countries.

This product and/or use thereof covered by one or more of the following U.S. patents.

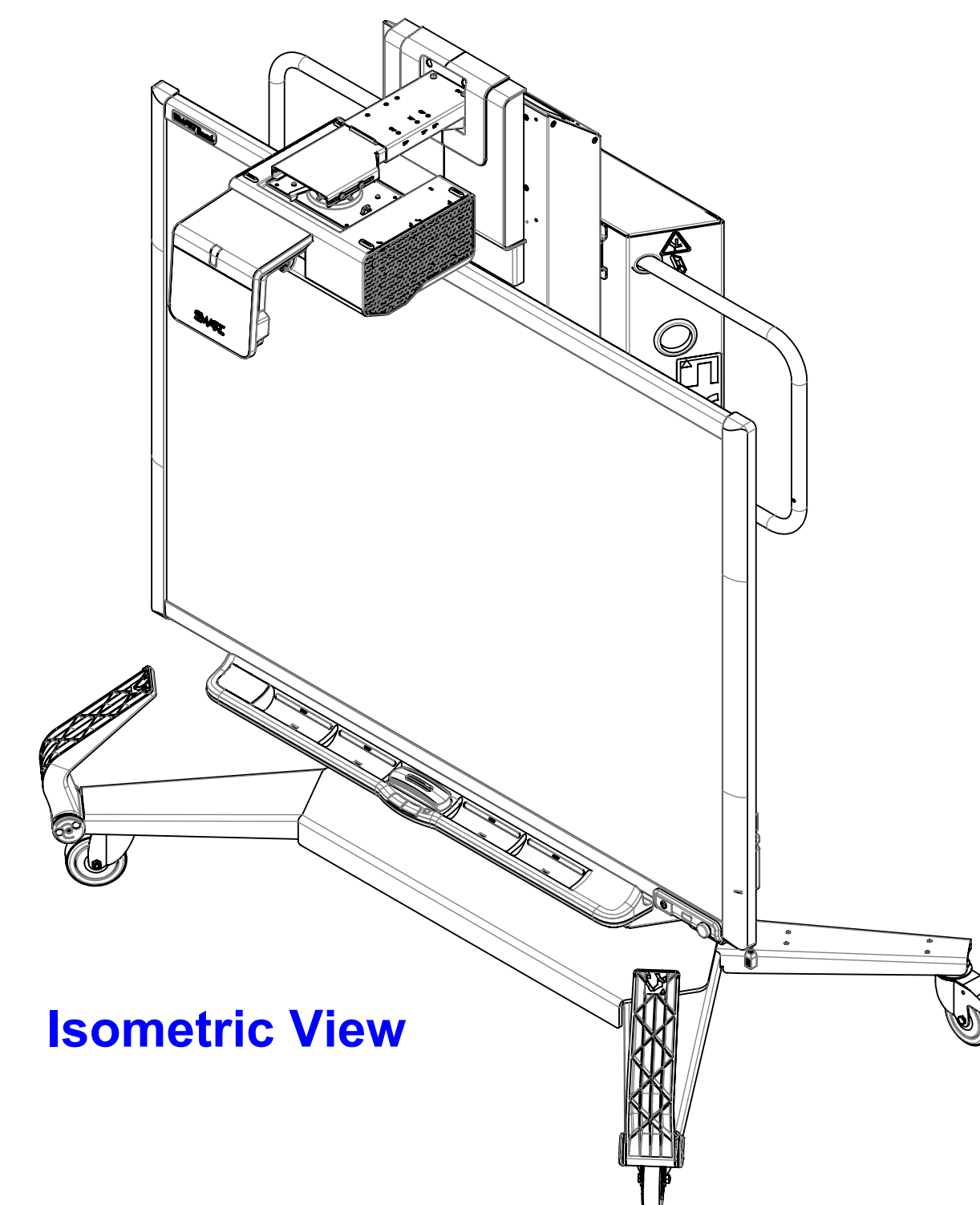
www.smarttech.com/patents

FS-UX with SB660i5

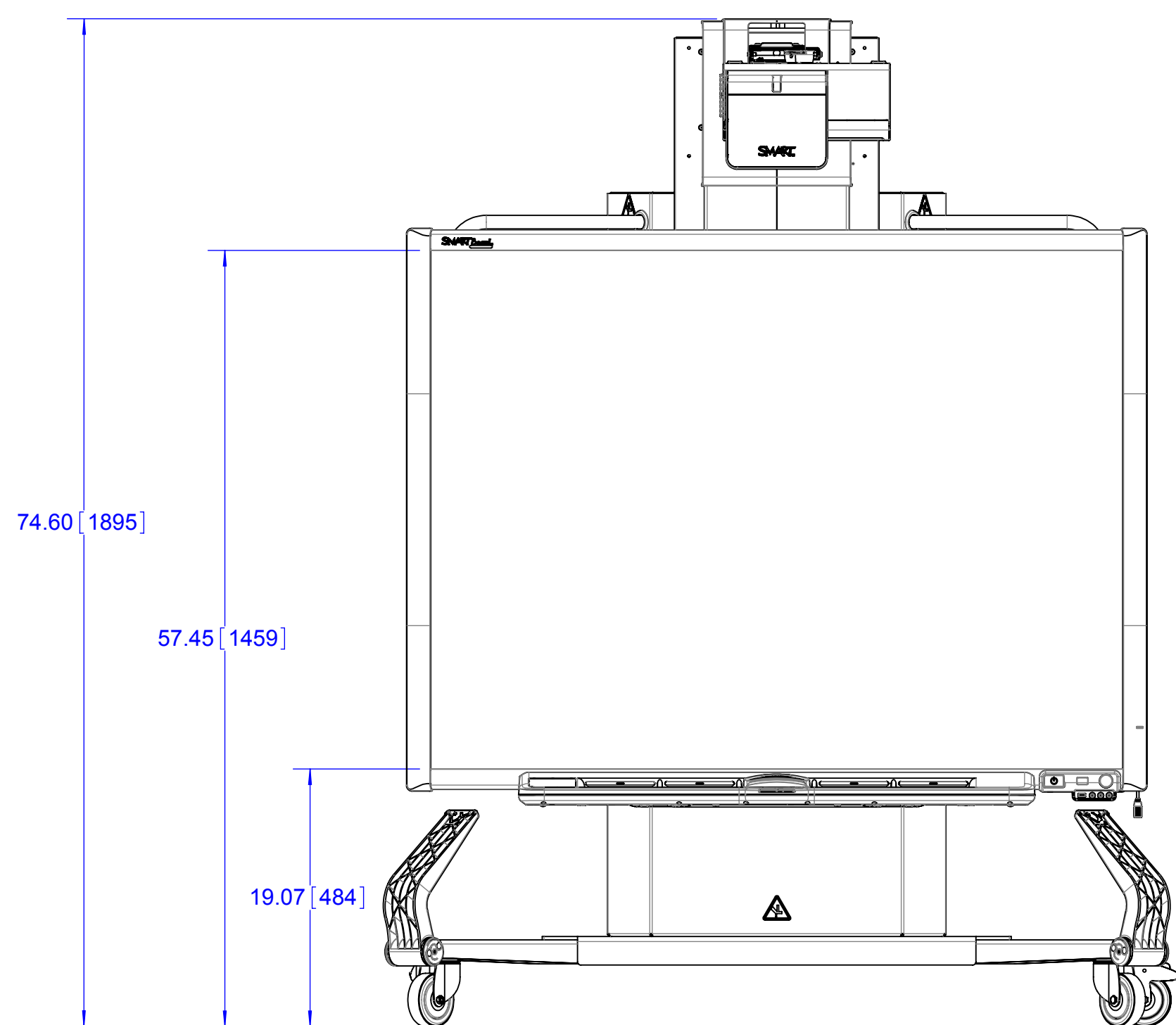
SHOWN IN THE LOWEST POSITION WITH THE TIP FEET UP.
SEE PAGE 1 FOR THE HIGHEST POSITION WITH THE TIP FOOT DOWN.



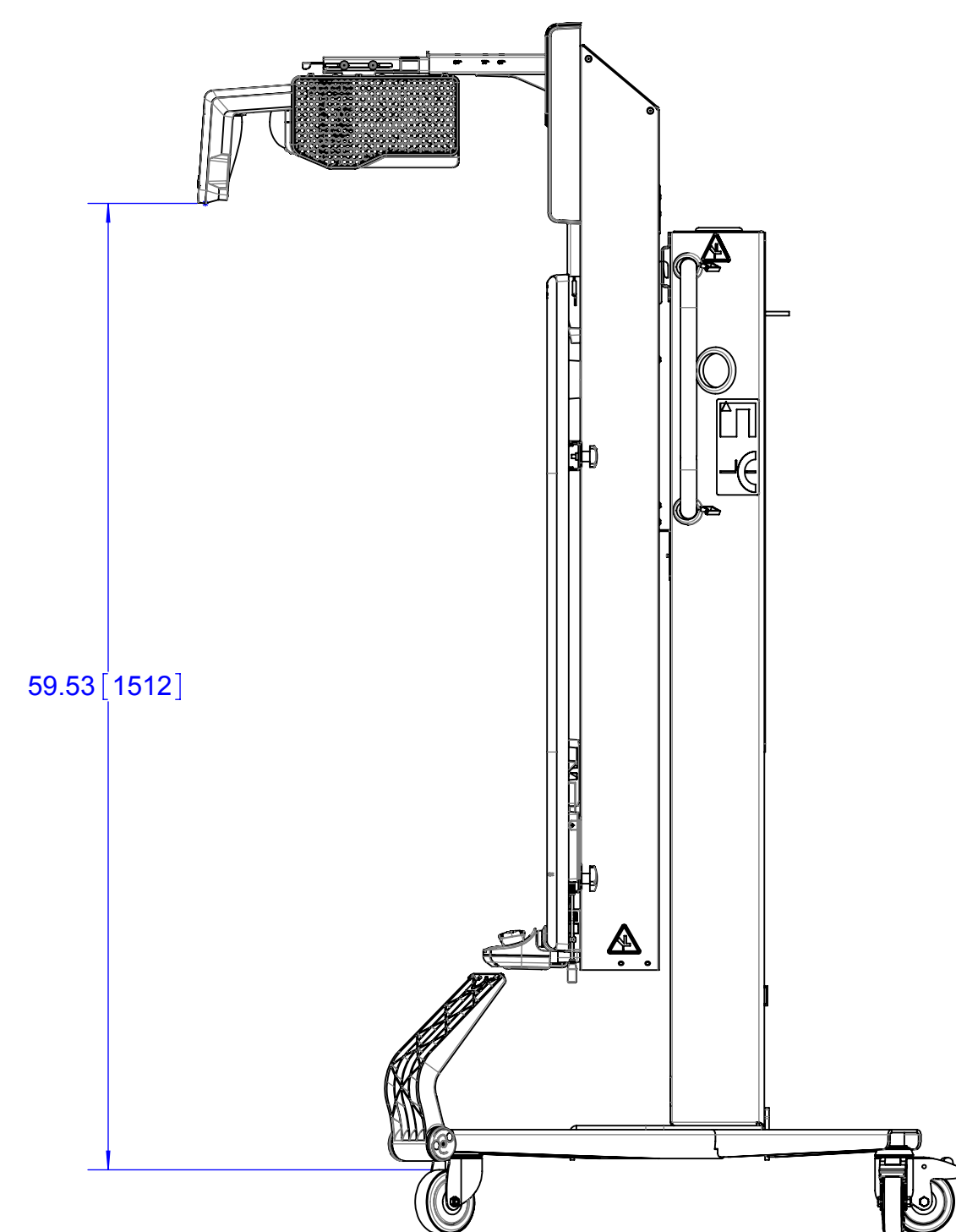
Top View



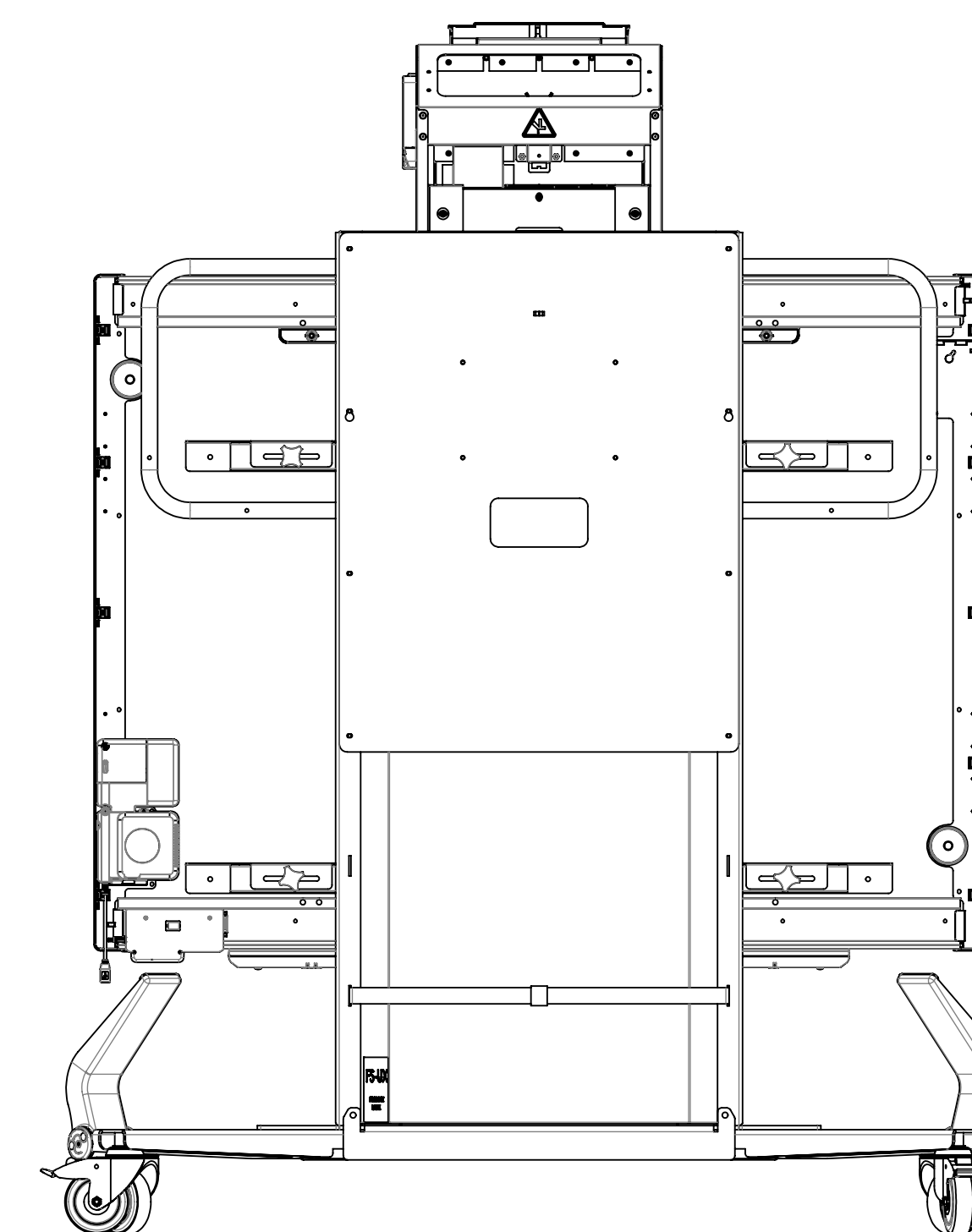
Isometric View



Front View



Side View



Back View

These drawings are for outline and installation purposes only.

All dimensions are given in inches (millimeters).

Dimensions are subject to change without notice.

All dimensions +/-1/8 (3mm)

NOTE: DO NOT SCALE

The contents of this document are compiled from a variety of documents to provide a consolidated view of key criteria. Should there be any information you need that is not adequately captured in either this document or the related documents, please contact us at ecosystem@smarttech.com for assistance.

This document is uncontrolled at the time of printing. Please ensure you are using the latest revision available at sen.smarttech.com

SMART[®]

3636 Research Road NW
Calgary, Alberta T2L 1Y1
CANADA

© 2013 SMART Technologies ULC.
All rights reserved.
The SMART logo, smarttech and all SMART taglines are trademarks or registered trademarks of SMART Technologies ULC in the U.S. and/or other countries.

This product and/or use thereof covered by one or more of the following U.S. patents.

www.smarttech.com/patents

Page: 2 OF 2

Description: [Ecosystem Drawing, FS-UX with SB660i5](#)

Drawing Number: [6006882](#)

Revision: 01