

# SMART Board™ Interactive Whiteboard Floor Stand

## Specifications – Model FS575

### Floor Stand FS575 Physical Specifications (for SMART Board 560 and 580 Interactive Whiteboards)

<b>Size</b>	Anti-tip Feet Extended	46 1/4" W × 58 5/8" H × 35" D (117.5 cm × 148.9 cm × 88.9 cm)
	Anti-tip Feet Retracted	46 1/4" W × 58 5/8" H × 28" D (117.5 cm × 148.9 cm × 71.1 cm)
	SMART Board 560 Interactive Whiteboard Installed and Anti-tip Feet Extended	50 1/2" W × 65 3/4" to 79 1/4" H × 35" D (128.3 cm × 167.0 cm to 201.3 cm × 88.9 cm)
	SMART Board 580 Interactive Whiteboard Installed and Anti-tip Feet Extended	60" W × 70 1/2" to 84" H × 35" D (152.4 cm × 179.1 cm to 213.4 cm × 88.9 cm)
<b>Weight</b>	Floor Stand	38 lb. 10 oz. (17.5 kg)
	Floor Stand with SMART Board 560 Interactive Whiteboard	68 lb. 3 oz. (30.9 kg)
	Floor Stand with SMART Board 580 Interactive Whiteboard	79 lb. 13 oz. (36.2 kg)
<b>Shipping Size</b>		31" W × 63" H × 4" D (78.7 cm × 160.0 cm × 10.2 cm)
<b>Shipping Weight</b>	Floor Stand and Carton	46 lb. 10 oz. (21.1 kg)
<b>Height Adjustment</b>		Adjustable in 1 1/2" (3.8 cm) increments. The top of an installed SMART Board 560 interactive whiteboard ranges from 65 3/4" to 79 1/4" (167.0 cm to 201.3 cm). The 580 ranges from 70 1/2" to 84" (179.1 cm to 213.4 cm).
<b>Stability</b>		Four lockable casters keep the stand in place during use

All dimensions +/- 1/8" (0.3 cm). All weights +/- 1/2 lb. (0.2 kg).

### SMART Order Numbers

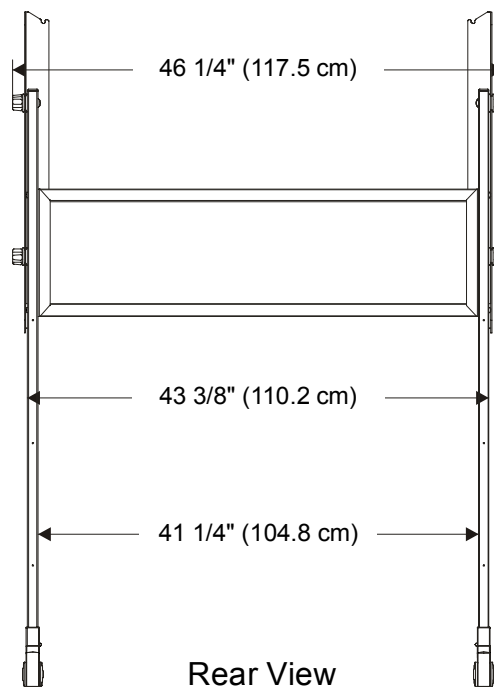
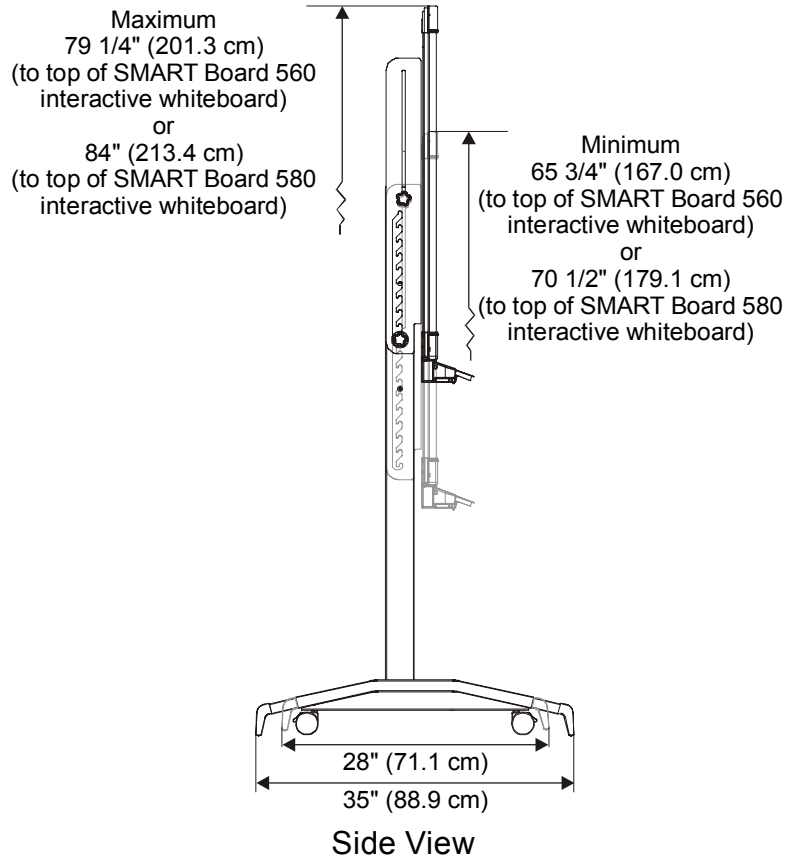
**FS575** Floor stand for SMART Board 560 and 580 interactive whiteboards

SMART Technologies Inc.  
1207 – 11 Avenue SW, Suite 300  
Calgary, AB T3C 0M5  
CANADA  
Phone +1.403.245.0333  
Toll Free 1.888.42.SMART (Canada/U.S.)  
info@smarttech.com www.smarttech.com

**SMART**  
Technologies

# SMART Board™ Interactive Whiteboard Floor Stand

## Specifications – Model FS575



All dimensions +/- 1/8" (0.3 cm)

