



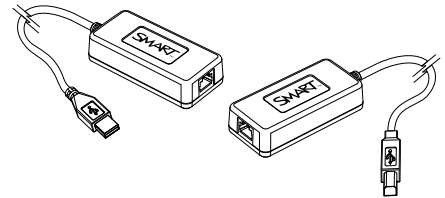
## Specifications

# CAT 5 USB extender

Model CAT5-XT-1100

## Overview

You must supply a Cat 5, Cat 5e or Cat 6 cable (Cat 5e ScTP ground-shielded cable is recommended) to connect the REX and the LEX. It must not exceed 130' (40 m), but may be less depending on the number of hubs connected. Use plenum rated cable if required.



### Important

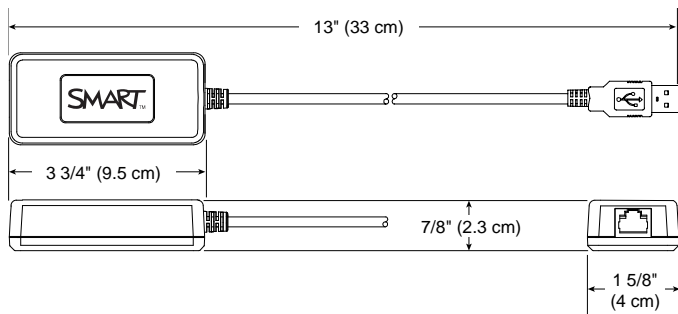
You can install an externally powered USB hub to the USB B plug on the REX, and then connect a USB cable from the hub to the next USB device.

### Note

To ensure part availability, SMART may provide a substitute CAT 5 extender in place of the SMART-branded extender. The substituted extender will provide the same features and capabilities.

## Dimensions and weights\*

### Dimensions



### Weight

3 3/8 oz. (95 g)

### Shipping dimensions (including pallet)

5" x 5" x 2 3/8"  
(12.7 cm x 12.7 cm x 6 cm)

### Shipping weight

6 oz. (170 g)

\*All dimensions ± 1/8" (0.3 cm).

## CAT 5 USB extender – Model CAT5-XT-1100

### Specifications

## Standard features

<b>Maximum extension</b>	Up to 130' (40 m)
<b>USB device support</b>	Full-speed (12 Mbps) USB 1.1 device
<b>USB hub support</b>	Can support up to two externally powered USB hubs connected in series with the Cat 5 USB extender. Each hub reduces the maximum extension by 40' (12 m).
<b>LEX (local)</b>	One USB-A plug, one RJ45 jack
<b>REX (remote)</b>	One USB-B plug, one RJ45 jack

## Storage and operating requirements

<b>Maximum power output</b>	175 mA when the LEX is supplied with 500 mA (USB bus powered)
<b>Operating temperature</b>	32°F to 122°F (0°C to 50°C)

## Certification and compliance

<b>Regulatory certification</b>	CE and FCC
<b>Environmental compliance</b>	China EIP, EU RoHS and WEEE

## Purchasing information

<b>Order number</b>	
CAT5-XT-1100	Cat 5 USB extender
<b>Warranty</b>	One-year limited equipment warranty

[smarttech.com/support](https://www.smarttech.com/support)  
[smarttech.com/contactsupport](https://www.smarttech.com/contactsupport)

© 2012–2023 SMART Technologies ULC. All rights reserved. SMART Board, smarttech, the SMART logo and all SMART taglines are trademarks or registered trademarks of SMART Technologies ULC in the U.S. and/or other countries. All third-party product and company names may be trademarks of their respective owners. This product and/or use thereof is covered by one or more of the following U.S. patents: [www.smarttech.com/patents](https://www.smarttech.com/patents). Contents are subject to change without notice. January 30, 2023.