

SMART Sympodium L-150 Interactive Lectern Starter Kit Instructions

Congratulations on your purchase of the SMART Sympodium™ L-150 interactive lectern. In this kit, you'll find:

- instructions for unpacking your lectern
- a list of accessories included with the lectern
- details on where to find another set of lectern door keys

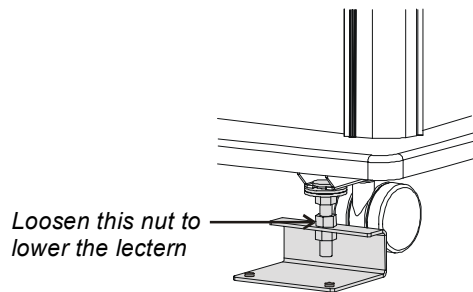
Unpacking the Lectern

The SMART Sympodium L-150 lectern arrives packaged inside a covered pallet that protects the unit during shipment. Affixed to the lectern are shipping brackets that also protect the casters. Before you can integrate your components with the lectern, you'll have to unpack your unit and remove these shipping brackets. We recommend that you retain the pallet and the shipping brackets in case you ever need to transport the lectern to a new location, or send it in for repairs.

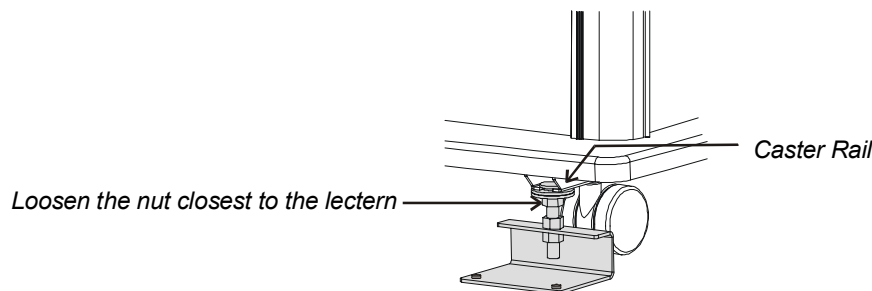
Freeing the Lectern from the Pallet

NOTE: This starter kit includes all tools needed to unpack the lectern.

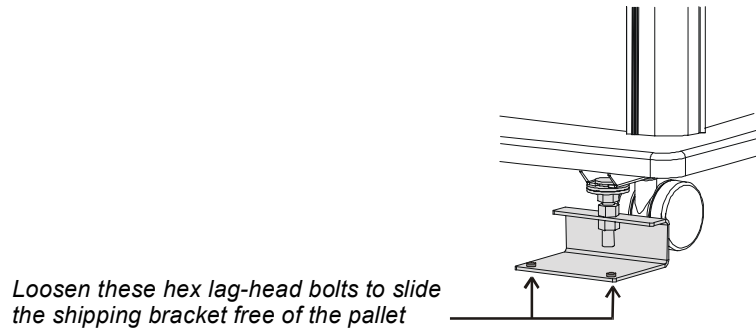
- 1 For each shipping bracket, located in each corner, use the $\frac{3}{4}$ " wrench to loosen the nut. As the nut loosens, the lectern will lower. Continue to loosen the nut until the lectern rests on the caster.



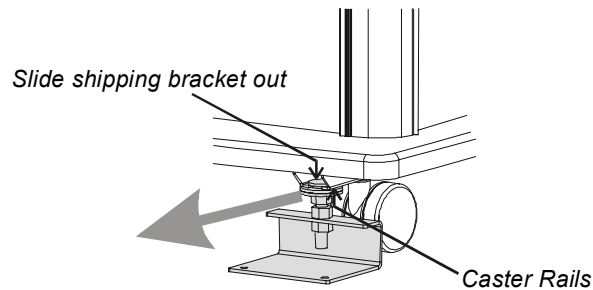
- 2 For each shipping bracket, loosen the nut closest to the lectern by turning it counterclockwise. This loosens the bracket in the caster rail.



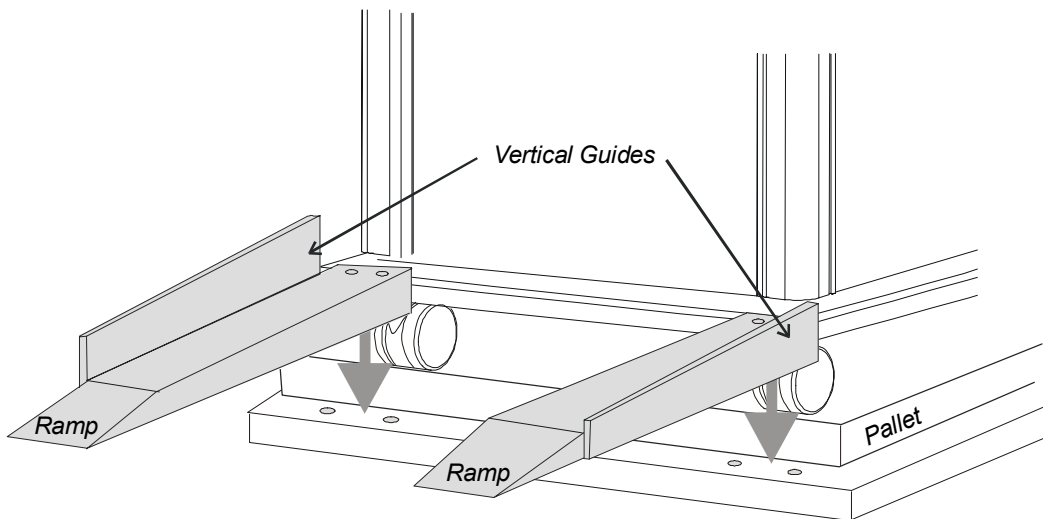
- 3 With the nuts loosened and each caster taking the weight of the lectern, use the $\frac{9}{16}$ " wrench to remove the hex lag-head bolts holding each shipping bracket to the pallet.



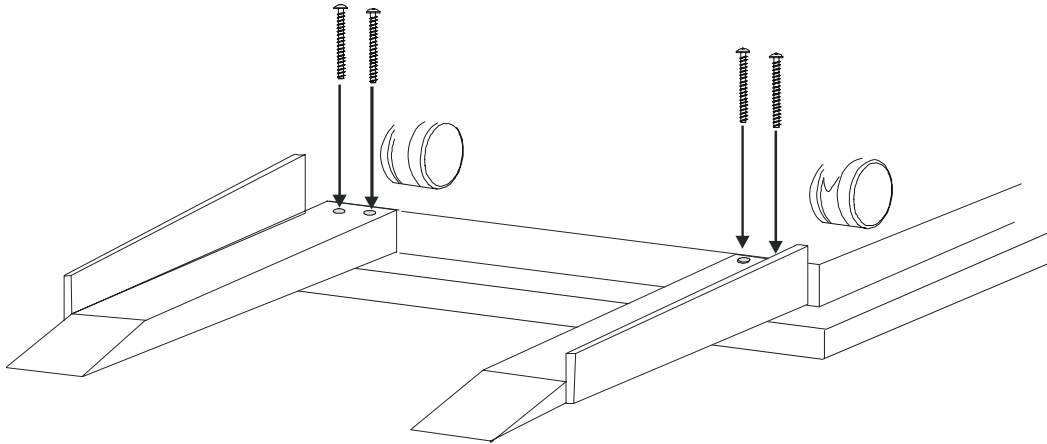
- 4 Remove the shipping brackets by sliding them away from the caster rails on the bottom of the lectern.



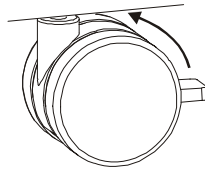
- 5 Locate the two wooden ramps underneath the lectern. Line up the holes in the ramps with the holes on the pallet. Make sure the vertical guides are on the outside of each ramp.



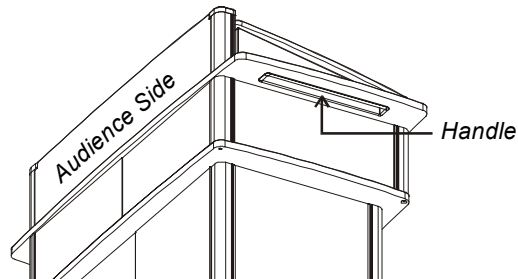
- 6 Use the four provided carriage bolts to fasten the ramps to the pallet. You'll find them in the Starter Kit.



- 7 Make sure the casters are unlocked by pulling up the center tab in each one.

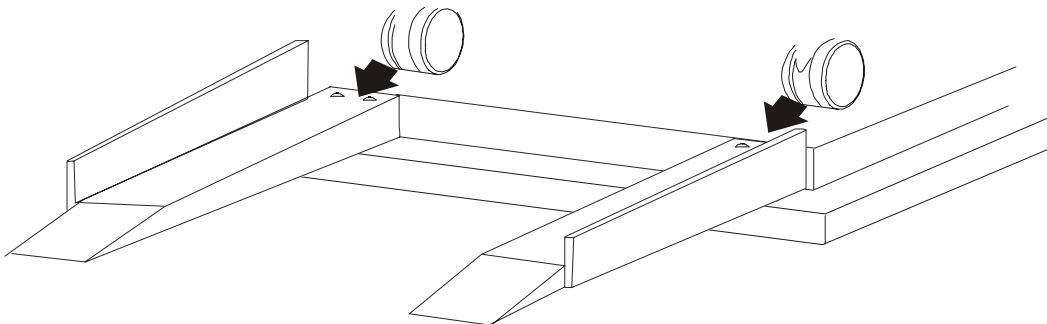


- 8 Grasp the handle under the lectern's flat surface.



- 9 Wheel it down the ramp and off the pallet.

NOTE: Be careful not to damage the casters when you wheel the lectern over high thresholds and other obstructions.



Verifying the Contents of the Accessory Kits

After you unpack your lectern, unlock the cabinet doors to locate a cardboard box containing two accessory kits. Make sure each kit is complete.

The larger, general accessory kit contains:

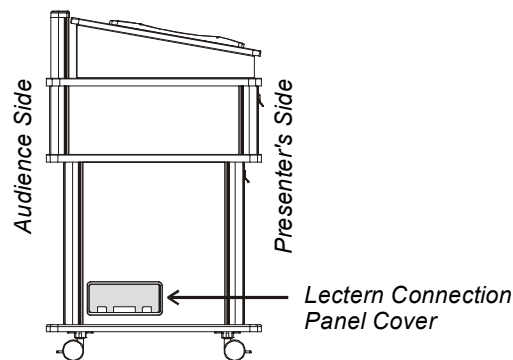
- *SMART Sympodium L-150 Integration Guide*
- *SMART Sympodium L-150 User's Guide*
- *SMART Board™ User's Guide*
- limited equipment warranty
- registration card
- SMART Board software CD-ROM
- replacement stylus tips and an o-ring tool
- $\frac{3}{32}$ " ball-end hex key
- security hex key

The smaller power kit contains:

- IEC(M)/country-specific(F) power cable
- four country-specific adapters

Locating the Spare Door Keys

To locate the spare door keys, snap out the plastic cover that hides the lectern connection panel. You'll see the keys hanging from the small key holder on the inside of the connection panel.



SMART Technologies Inc.

Suite 600, 1177 – 11th Ave SW Calgary, AB CANADA T2R 1K9
Support: 1.866.518.6791 (Canada and the United States) or +1.403.245.5940 in all other countries
Support Fax: +1.403.245.0366
Main Switchboard: 1.888.42.SMART (Canada and the United States)
or +1.403.245.0333 in all other countries
Fax: +1.403.228.2500
support@smarttech.com www.smarttech.com

SMART
Technologies Inc.

Bringing people and ideas together.™

© 2002 SMART Technologies Inc. All rights reserved. Sympodium, SMART Board and "Bringing people and ideas together." are trademarks of SMART Technologies Inc. All other third-party product and company names are mentioned for identification purposes only and may be trademarks of their respective owners.

99-00402-00 RevB0