

SMART Board™ for Flat-Panel Displays Interactive Whiteboard

Specifications – Model PX346 for Select 46" Flat Panels

NOTE: For a complete list of supported 46" flat panels, visit www.smarttech.com/products/overlay/specs.asp.

Physical Specifications

Size	SMART Board for Flat-Panel Displays Interactive Whiteboard (installed in landscape orientation only) Pen Tray (included) Interactive Whiteboard Mounting Bracket	48 3/4" W × 31 1/4" H × 2 3/8" D (123.8 cm × 79.4 cm × 6.0 cm) 3 5/8" (9.2 cm) added to bottom of overlay 2 3/8" (6.0 cm) added to front of overlay 44 3/8" W × 6 1/2" H × 3 3/4" to 5 7/8" D (112.7 cm × 16.5 cm × 9.5 cm to 14.9 cm)
Weight	Interactive Whiteboard, Mounting Bracket and Pen Tray	60 lb. (27.2 kg)
Shipping Size	Shipping Carton	58" W × 47" H × 21" D (147.3 cm × 119.4 cm × 53.3 cm)
Shipping Weight	Contents and Shipping Carton	123 lb. (55.8 kg)

All dimensions +/- 1/8" (3.2 mm). All weights +/- 2 lb. (0.9 kg).

Standard Features

Software	SMART Board software and Notebook™ software. Free software upgrades are available at www.smarttech.com/support/software/index.asp .
Pen Tray	Optical sensors in the pen tray detect when a pen or eraser is lifted from the tray. LED indicators show the active tool. Includes four Whisper-tip™ pens (black, blue, red and green) and one eraser. The pen tray connects to the interactive whiteboard with a MOD8 cable and connects to a computer with a 21' 6" (6.5 m) USB Adapter cable. The USB Adapter cable has a DB9F connector at one end and a USB connector at the other. An optional serial cable is available. NOTE: The interactive whiteboard is also available without the pen tray. To order, add "NP" to the end of the model number. The pen tray is then replaced by an electronic controller that fastens behind the overlay bezel.
Display Control Strip	The display control strip allows you to initiate sleep mode, select the input source, toggle the display mode and access the panel control menu. This feature is only available for the Windows® operating system.
Mounting Bracket	The mounting bracket has an adjustable depth feature to accommodate most 46" flat panels installed in landscape orientation
Front Surface Material	Hard-coated, anti-glare polyester designed for optimal light transmission. Chemical and scratch resistant.
Digitizing Technology	DVIT™ (Digital Vision Touch) technology uses digital cameras to track an object interacting with the display surface
Flat Panel Connection	Serial cable included for flat panel control
Power Requirements	Switching power supply, 100V–250V AC, 47 Hz–63 Hz, 12V DC 4.2A, 6' (1.8 m) power cord
Power Consumption	Power consumption is up to 40 W
Certifications	CSA (Canada/U.S.)/CE
Warranty	One-year limited equipment warranty
Installation Notes	You can install the interactive whiteboard on a flat panel display that's securely mounted to a wall or floor stand. However, the wall mount or floor stand must be able to support a combined weight of 175 lb. (79.4 kg). Because of stability and mechanical fit issues, never use a table stand. You cannot attach speakers directly to the sides of a flat panel display when an interactive whiteboard is installed.

SMART Board Software 9.5 Computer Requirements

Windows Computers	Pentium® II 450 MHz processor 128 MB of RAM (256 MB recommended) 136 MB of free hard disk space for minimum installation (511 MB for full installation with Gallery collections) Windows NT® 4.0 (SP6), Windows 98 operating system or later Microsoft Internet Explorer® 6.0 or later Macromedia® Flash® player version 8 NOTE: The AirLiner™ wireless slate requires the Windows 2000 or Windows XP operating system.
Requirements for SMART Video Player	Pentium II 450 MHz processor (700 MHz or faster recommended) Windows 98 operating system or later. Does not run on the Windows NT operating system. Microsoft® DirectX® technology 8.1 or later
Mac Computers	700 MHz processor (1 GHz or faster recommended) 128 MB of RAM (256 MB recommended) Mac OS X versions 10.3.9 and 10.4.x 148 MB of free hard disk space for minimum installation (423 MB for full installation with Gallery collections) Available powered USB port Safari 1.3.2 or later SMART Board software version 9.5 supports Intel processors (Universal Binary) NOTE: Previous versions of SMART Board software are compatible with earlier versions of the Mac OS X operating system. To download a previous version of SMART Board software, go to www.smarttech.com/support/software/sb_mac_other.asp .

Specifications – Model PX346 for Select 46" Flat Panels

Storage and Operating Specifications

Storage	-40°F to 95°F (-40°C to 35°C) with up to 80% humidity non-condensing
Operation	41°F to 95°F (5°C to 35°C) with up to 80% humidity non-condensing

SMART Order Numbers

PX346	Interactive whiteboard and mounting bracket for select 46" flat panels
PX346NP	Overlay and mounting bracket without pen tray for select 46" flat panels
93-00360	Optional 20' (6.1 m), straight-through, DB9F-to-DB9F serial cable. Must be ordered separately for systems that don't support USB connections.

SMART Technologies Inc.
1207 – 11 Avenue SW, Suite 300
Calgary, AB T3C 0M5
CANADA
Phone +1.403.245.0333
Toll Free 1.888.42.SMART (Canada/U.S.)
support@smarttech.com www.smarttech.com

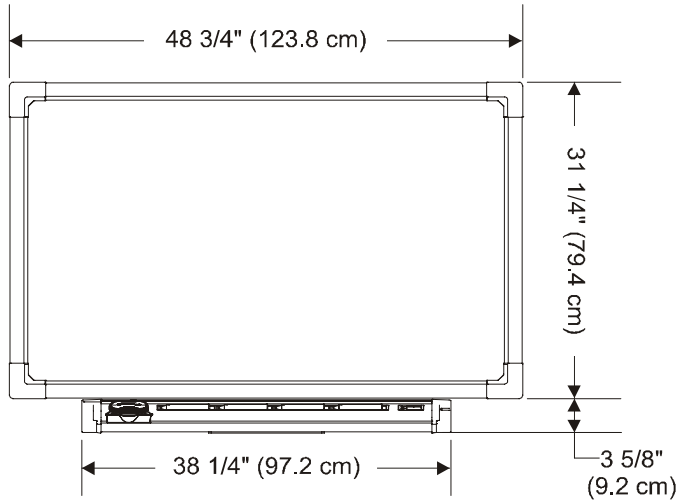
SMART
Technologies

© 2003–2005 SMART Technologies Inc. All rights reserved. SMART Board, Notebook, Whisper-tip, DVIT and the SMART logo are trademarks of SMART Technologies Inc. Windows and Windows NT are registered trademarks of Microsoft Corporation in the U.S. and other countries. All other third-party product and company names may be trademarks of their respective owners. U.S. Patent Nos. 5,448,263; 6,141,000; 6,337,681; 6,747,636; 6,326,954; 6,741,267; 6,919,880; 6,947,032; 6,954,197; 6,972,401 and 6,803,906. Canadian Patent No. 2,058,219. Other U.S., Canadian and foreign patents pending. Specifications are subject to change without notice. 04/2006.

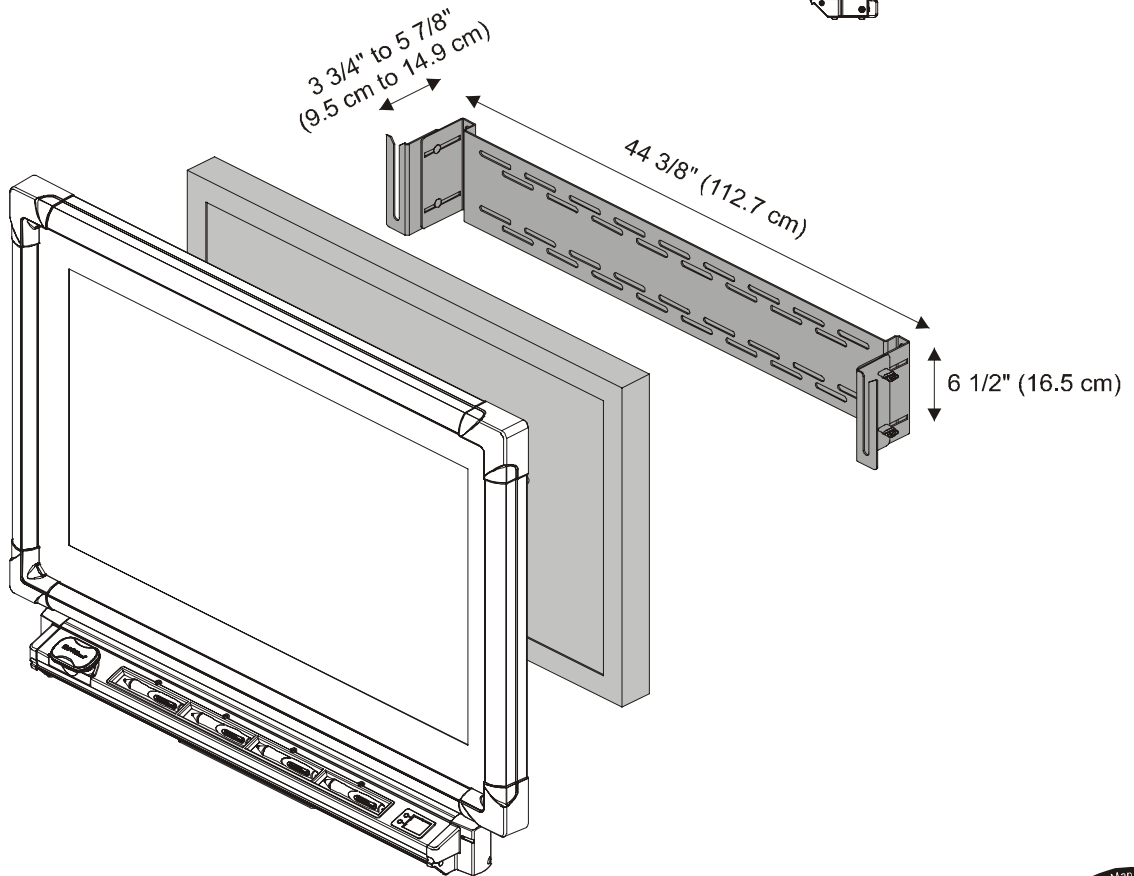
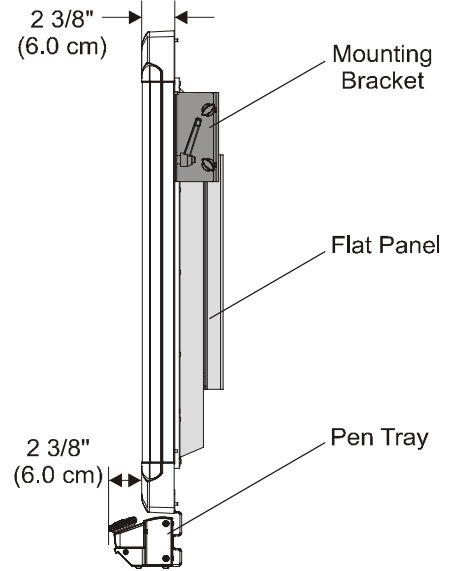
SMART Board™ for Flat-Panel Displays Interactive Whiteboard

Specifications – Model PX346 for Select 46" Flat Panels

Front View



Side View



All dimensions are +/- 1/8" (3.2 mm).