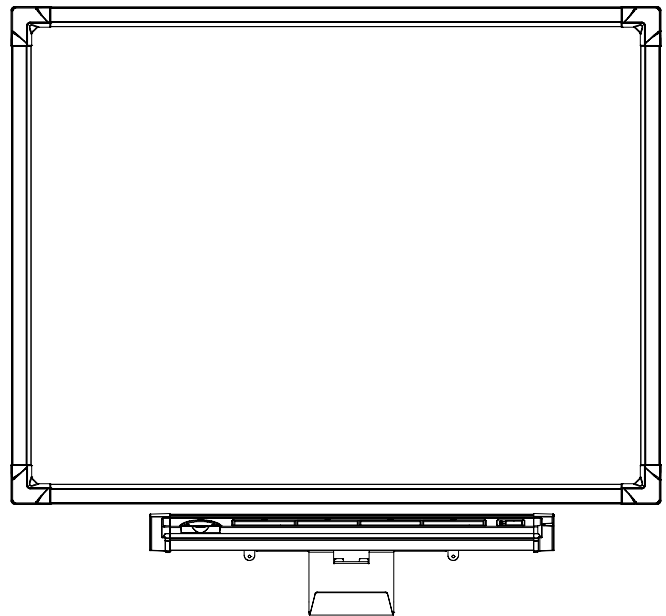


# In-Wall *Rear Projection* SMART Board™ Interactive Whiteboard

## Specifications – Model 1810

### Physical Specifications

<b>Size</b>	Interactive Whiteboard 61 3/8" W x 47" H x 2 5/8" D (155.9 cm x 119.4 cm x 6.7 cm)  Pen Tray with Keyboard Bracket 38 1/4" W x 9 5/8" H x 4 5/8" D (97.2 cm x 24.4 cm x 11.8 cm)  Active Screen Area 56 3/4" W x 42 5/8" H (144.2 cm x 108.3 cm) 71" (180.3 cm) diagonal
<b>Installation Information</b>	Minimum Wall Opening 57 7/8" W x 46 1/4" H (147.0 cm x 117.5 cm) The interactive whiteboard must be mounted between two studs that run from floor to ceiling.
<b>Weight</b>	75 lb. (34.0 kg)
<b>Shipping Weight</b>	139 lb. (63.1 kg)
<b>Shipping Size</b>	71" W x 56" H x 21" D (180.3 cm x 142.2 cm x 53.3 cm)



All dimensions +/- 1/8" (3.2 mm). All weights +/- 2 lb. (0.9 kg).

### Standard Features

<b>Software</b>	SMART Board software and Notebook™ software. Free software upgrades are available at <a href="http://www.smarttech.com/support/software/index.asp">www.smarttech.com/support/software/index.asp</a> .
<b>Pen Tray</b>	Optical sensors in the pen tray detect when a pen or the eraser is lifted from the tray. LED indicators show the active tool. Includes four Whisper-tip™ pens (black, blue, red and green) and one eraser.
<b>Keyboard Bracket</b>	Bracket attaches to the wall below the pen tray to hold the wireless keyboard and IR receiver
<b>Wireless Keyboard</b>	US English Windows® operating system with built-in trackball (all regions except Japan)
<b>Resolution</b>	Touch resolution approximately 2000 x 2000. Supports all projector resolutions up to 1600 x 1200.
<b>SMART Super Screen</b>	Bright image with uniform light distribution. Suitable for high ambient lighting, specifically meeting rooms or videoconferencing rooms.
<b>Screen Surface Material</b>	Extremely durable, low-reflection (matte) finish reduces glare from overhead lights
<b>Digitizing Technology</b>	DViT™ (Digital Vision Touch) technology uses digital cameras to track an object interacting with the display surface
<b>Projector</b>	A projector is <i>not</i> included with this model of SMART Board interactive whiteboard. To take advantage of all interactive features, you must integrate a projector.
<b>Computer Connection</b>	A 21' 6" (6.6 m) SMART USB adapter cable is included
<b>Power Supply</b>	A switching power supply, 100V–250V AC, 47 Hz–63 Hz, 12V DC 4.2A, with a 6' (1.8 m) country-specific power cord
<b>Power Requirements</b>	Power consumption is approximately 50 watts
<b>Warranty</b>	Two-year limited equipment warranty

### SMART Board Software 9.5 Computer Requirements

**Windows Computers** Pentium® II 450 MHz processor  
128 MB of RAM (256 MB recommended)  
136 MB of free hard disk space for minimum installation (511 MB for full installation with Gallery collections)  
Windows NT® 4.0 (SP6), Windows 98 operating system or later  
Microsoft® Internet Explorer® 6.0 or later  
Macromedia® Flash® player version 8

**NOTE:** The AirLiner™ wireless slate requires the Windows 2000 or Windows XP operating system.

**Requirements for SMART Video Player** Pentium II 450 MHz processor (700 MHz or faster recommended)  
Windows 98 operating system or later. Does not run on the Windows NT operating system.  
Microsoft DirectX® technology 8.1 or later

**Mac Computers** 700 MHz processor (1 GHz or faster recommended)  
128 MB of RAM (256 MB recommended)  
Mac OS X versions 10.3.9 and 10.4.x  
148 MB of free hard disk space for minimum installation (423 MB for full installation with Gallery collections)  
Safari™ 1.3.2 or later  
SMART Board software version 9.5 supports Intel® processors (Universal Binary)

**NOTE:** Previous versions of SMART Board software are compatible with earlier versions of the Mac OS X operating system. To download a previous version of SMART Board software, go to [www.smarttech.com/support/software/sb\\_mac\\_other.asp](http://www.smarttech.com/support/software/sb_mac_other.asp).

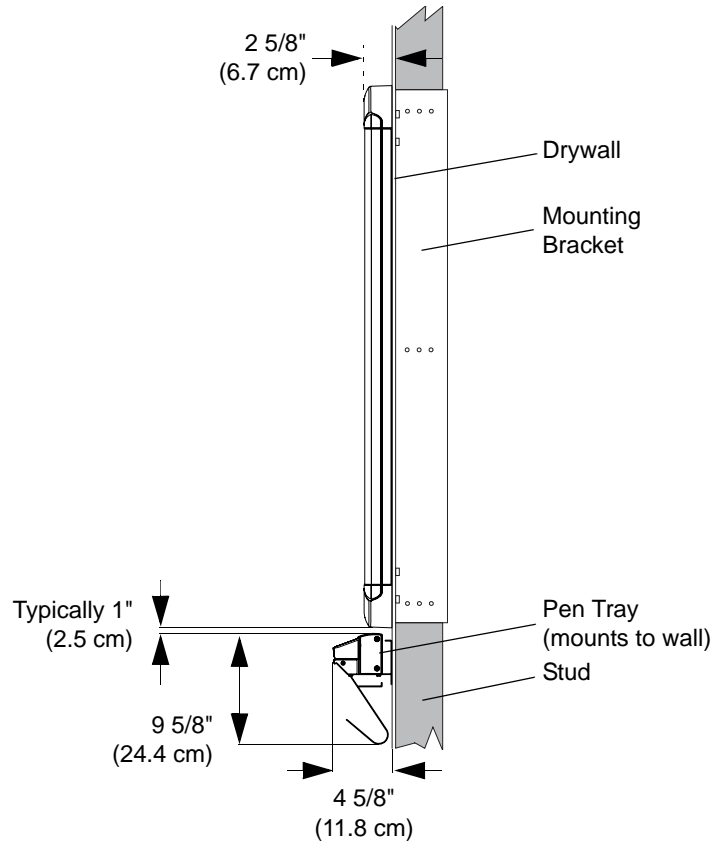
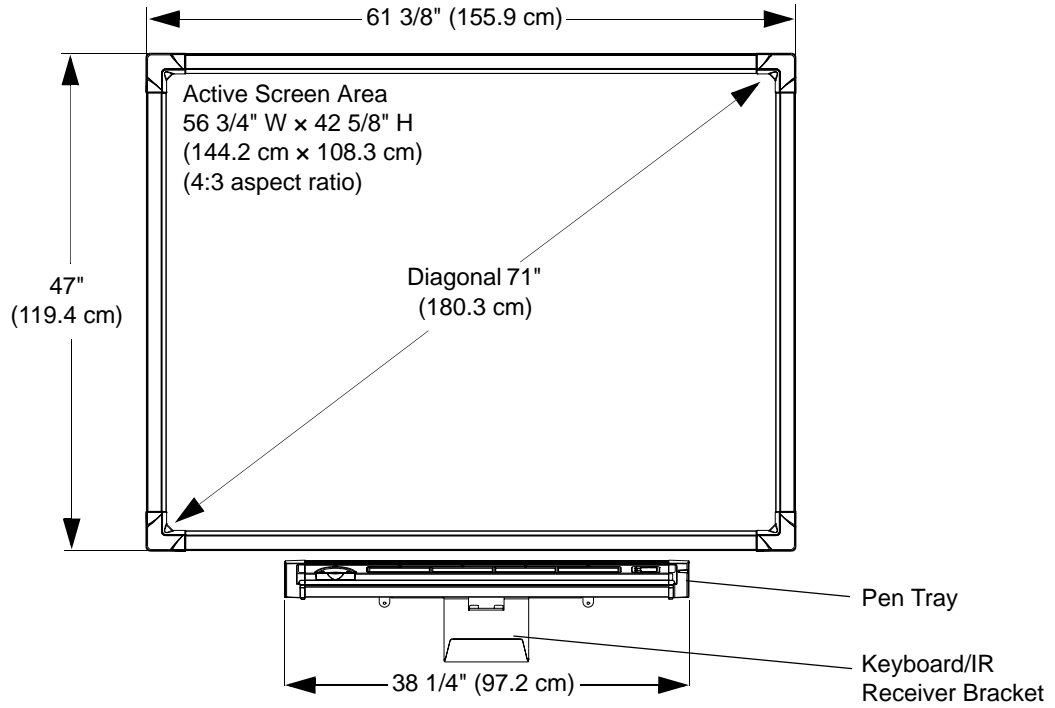
### Storage and Operating Specifications

**Storage** -40°F to 95°F (-40°C to 35°C) with up to 95% humidity non-condensing

**Operation** 41°F to 95°F (5°C to 35°C) with up to 90% humidity non-condensing

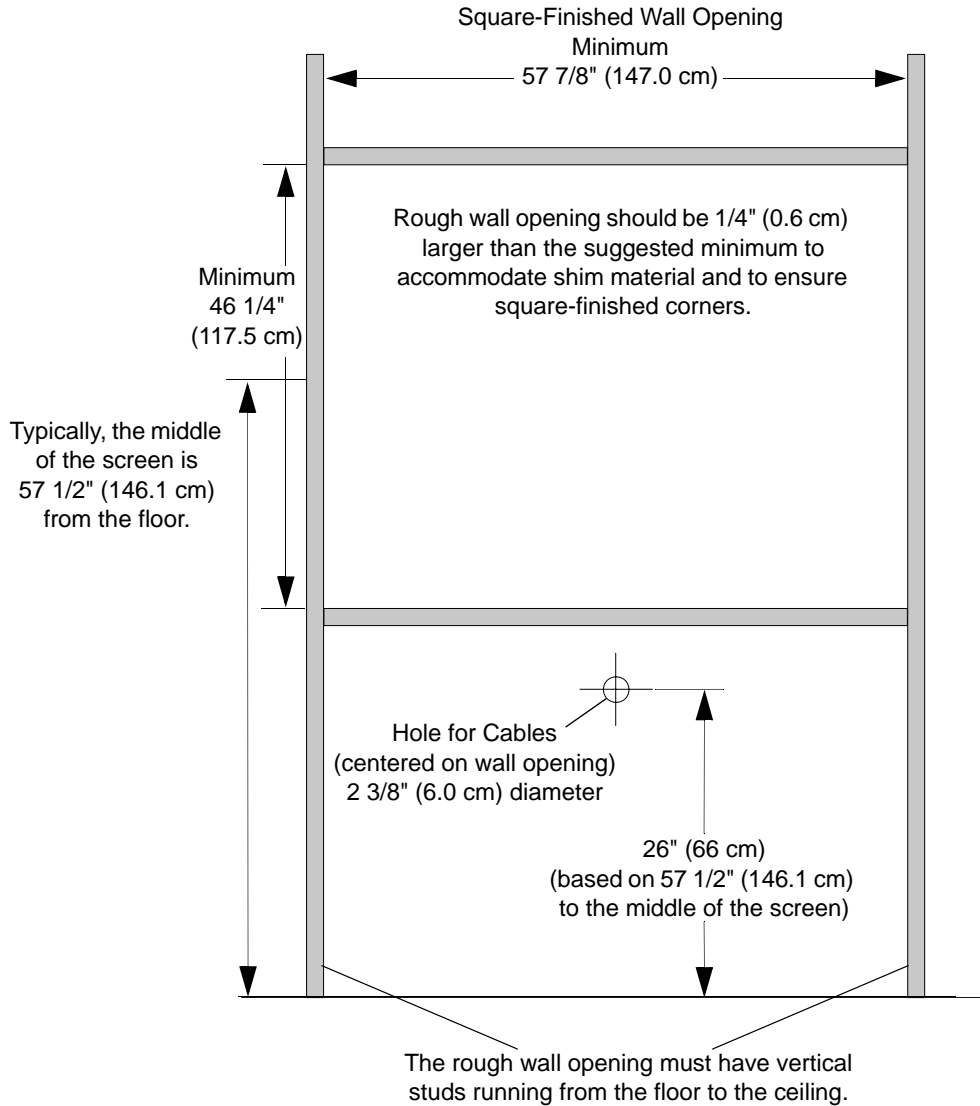
# Specifications – Model 1810

## Front and Side Views



## Specifications – Model 1810

### Wall Opening



### SMART Order Number

**WRPSB 1810-DV**

In-Wall *Rear Projection* SMART Board 1810 interactive whiteboard

**93-00360**

Optional 20' (6.1 m) straight-through DB9F-to-DB9F serial cable. Must be ordered separately for systems that don't support USB connections.

**SMART Technologies Inc.**  
1207 – 11 Avenue SW, Suite 300  
Calgary, AB T3C 0M5  
CANADA  
Phone +1.403.245.0333  
Toll Free 1.888.42.SMART (Canada/U.S.)  
info@smarttech.com www.smarttech.com

**SMART**  
Technologies

© 2003–2006 SMART Technologies Inc. All rights reserved. SMART Board, Notebook, Whisper-tip, DVIT, AirLiner and the SMART logo are trademarks of SMART Technologies Inc. Microsoft, Windows and Windows NT are registered trademarks of Microsoft Corporation in the U.S. and other countries. All other third-party product and company names may be trademarks of their respective owners. U.S. Patent Nos. 5,448,263; 6,141,000; 6,326,954; 6,337,681; 6,741,267; 6,747,636; 6,803,906; 6,919,880; 6,947,032; 6,954,197 and 6,972,401. Canadian Patent No. 2,058,219. Other U.S., Canadian and foreign patents pending. Specifications are subject to change without notice. 06/2006.