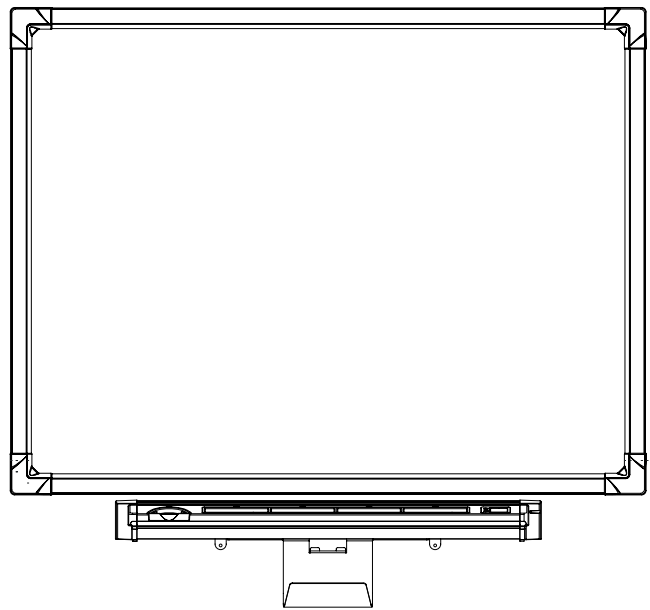


# In-Wall *Rear Projection* SMART Board™ Interactive Whiteboard

## Specifications – Model 1710

### Physical Specifications

<b>Size</b>	Interactive Whiteboard 57 3/8" W x 44" H x 2 5/8" D (145.8 cm x 111.8 cm x 6.7 cm)  Pen Tray with Keyboard Bracket 38 1/4" W x 9 5/8" H x 4 5/8" D (97.2 cm x 24.4 cm x 11.8 cm)  Active Screen Area 52 3/4" W x 39 5/8" H (134.0 cm x 100.7 cm) 66" (167.6 cm) diagonal
<b>Installation Information</b>	Minimum Wall Opening 53 7/8" W x 43 1/4" H (136.8 cm x 110.0 cm) The interactive whiteboard must be mounted between two studs that run from floor to ceiling.
<b>Weight</b>	67 lb. (30.4 kg)
<b>Shipping Weight</b>	131 lb. (59.4 kg)
<b>Shipping Size</b>	71" W x 56" H x 21" D (180.3 cm x 142.2 cm x 53.3 cm)



All dimensions +/- 1/8" (3.2 mm). All weights +/- 2 lb. (0.9 kg).

### Standard Features

<b>Software</b>	SMART Board software and Notebook™ software. Free software upgrades are available at <a href="http://www.smarttech.com/support/software/index.asp">www.smarttech.com/support/software/index.asp</a> .
<b>Pen Tray</b>	Optical sensors in the pen tray detect when a pen or the eraser is lifted from the tray. LED indicators show the active tool. Includes four Whisper-tip™ pens (black, blue, red and green) and one eraser.
<b>Keyboard Bracket</b>	Bracket attaches to the wall below the pen tray to hold the wireless keyboard and IR receiver
<b>Wireless Keyboard</b>	US English Windows® operating system with built-in trackball (all regions except Japan)
<b>Resolution</b>	Touch resolution approximately 2000 x 2000. Supports all projector resolutions up to 1600 x 1200.
<b>SMART Super Screen</b>	Bright image with uniform light distribution. Suitable for high ambient lighting, specifically meeting rooms or videoconferencing rooms
<b>Screen Surface Material</b>	Extremely durable, low-reflection (matte) finish reduces glare from overhead lights
<b>Digitizing Technology</b>	DViT™ (Digital Vision Touch) technology uses digital cameras to track an object interacting with the display surface
<b>Projector</b>	A projector is <i>not</i> included with this model of SMART Board interactive whiteboard. To take advantage of all interactive features, you must integrate a projector.
<b>Computer Connection</b>	A 21' 6" (6.6 m) SMART USB adapter cable is included
<b>Power Supply</b>	A switching power supply, 100V–250V AC, 47 Hz–63 Hz, 12V DC 4.2A, with a 6' (1.8 m) country-specific power cord
<b>Power Requirements</b>	Power consumption is approximately 50 watts
<b>Warranty</b>	Two-year limited equipment warranty

### SMART Board Software 9.5 Computer Requirements

**Windows Computers** Pentium® II 450 MHz processor  
128 MB of RAM (256 MB recommended)  
136 MB of free hard disk space for minimum installation (511 MB for full installation with Gallery collections)  
Windows NT® 4.0 (SP6), Windows 98 operating system or later  
Microsoft® Internet Explorer® 6.0 or later  
Macromedia® Flash® player version 8

**NOTE:** The AirLiner™ wireless slate requires the Windows 2000 or Windows XP operating system.

**Requirements for SMART Video Player** Pentium II 450 MHz processor (700 MHz or faster recommended)  
Windows 98 operating system or later. Does not run on the Windows NT operating system.  
Microsoft DirectX® technology 8.1 or later

**Mac Computers** 700 MHz processor (1 GHz or faster recommended)  
128 MB of RAM (256 MB recommended)  
Mac OS X versions 10.3.9 and 10.4.x  
148 MB of free hard disk space for minimum installation (423 MB for full installation with Gallery collections)  
Safari™ 1.3.2 or later  
SMART Board software version 9.5 supports Intel® processors (Universal Binary)

**NOTE:** Previous versions of SMART Board software are compatible with earlier versions of the Mac OS X operating system. To download a previous version of SMART Board software, go to [www.smarttech.com/support/software/sb\\_mac\\_other.asp](http://www.smarttech.com/support/software/sb_mac_other.asp).

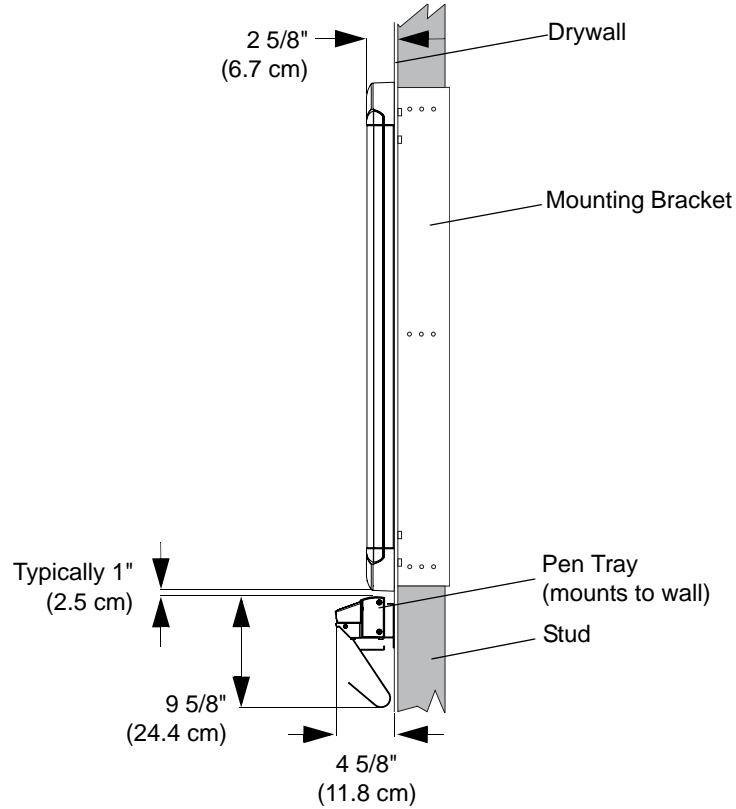
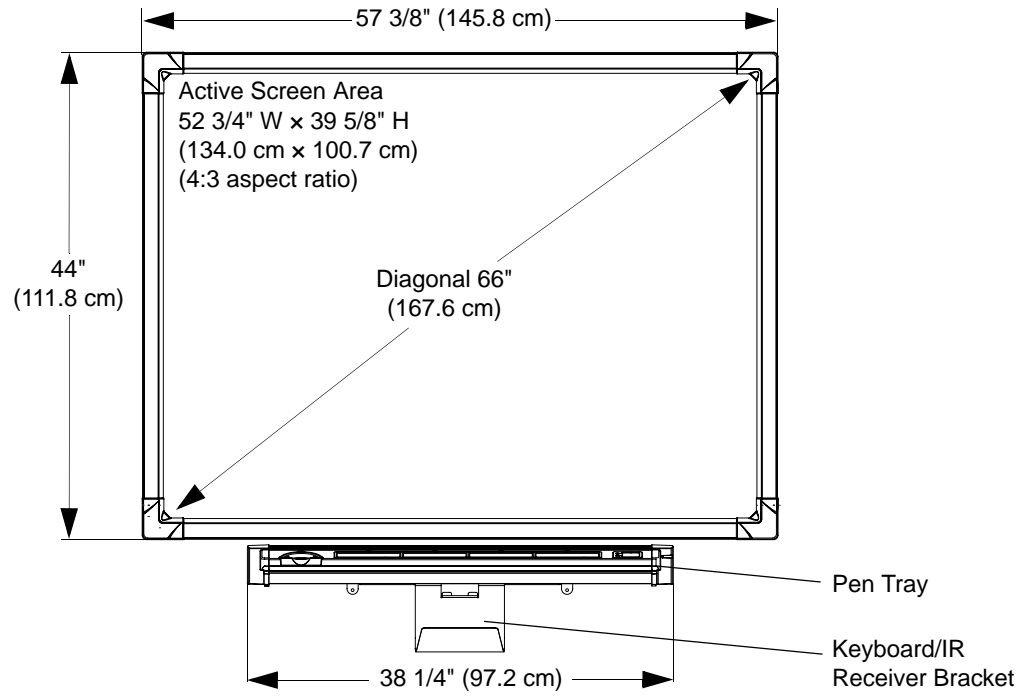
### Storage and Operating Specifications

**Storage** -40°F to 95°F (-40°C to 35°C) with up to 95% humidity non-condensing

**Operation** 41°F to 95°F (5°C to 35°C) with up to 90% humidity non-condensing

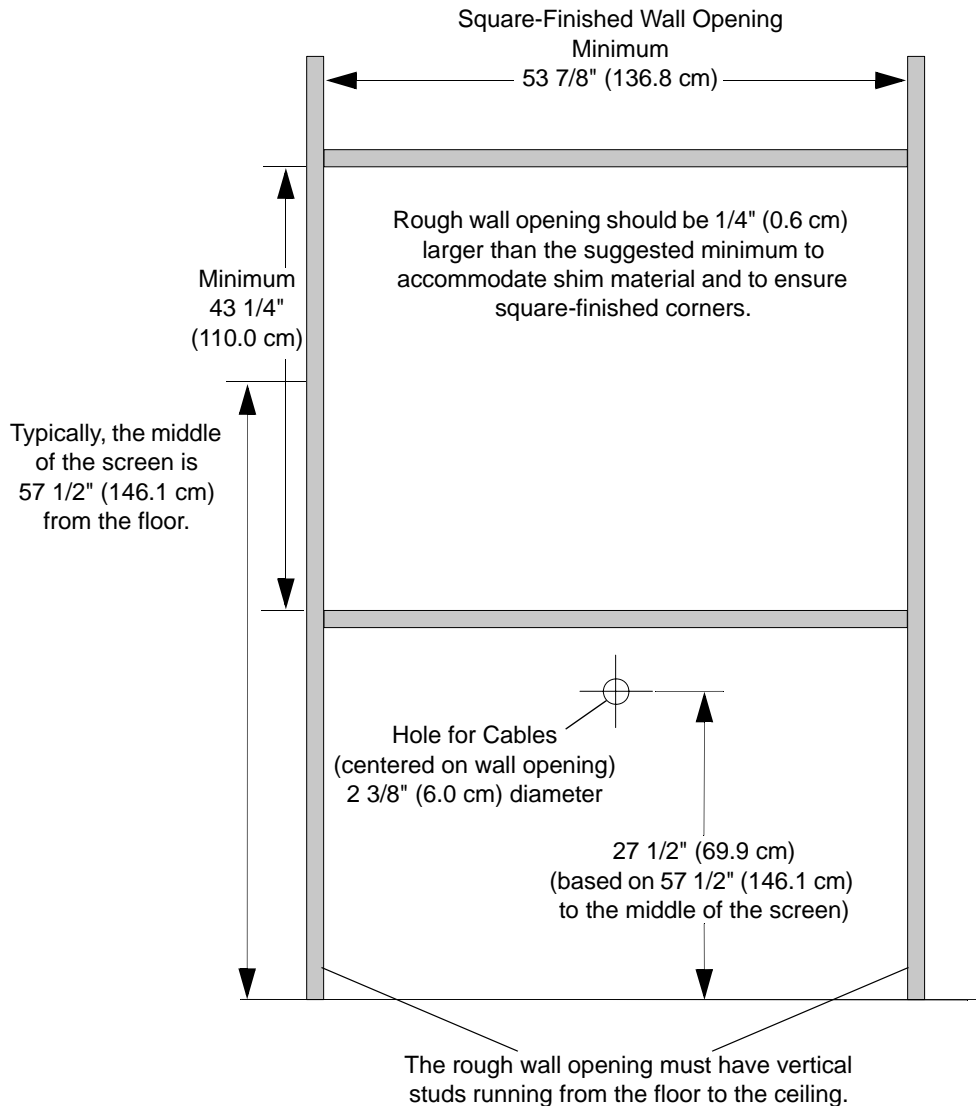
# Specifications – Model 1710

## Front and Side Views



## Specifications – Model 1710

### Wall Opening



### SMART Order Number

WRPSB 1710-DV

In-Wall *Rear Projection* SMART Board 1710 interactive whiteboard

93-00360

Optional 20' (6.1 m) straight-through DB9F-to-DB9F serial cable. Must be ordered separately for systems that don't support USB connections.

SMART Technologies Inc.  
1207 – 11 Avenue SW, Suite 300  
Calgary, AB T3C 0M5  
CANADA  
Phone +1.403.245.0333  
Toll Free 1.888.42.SMART (Canada/U.S.)  
info@smarttech.com www.smarttech.com

**SMART**  
Technologies