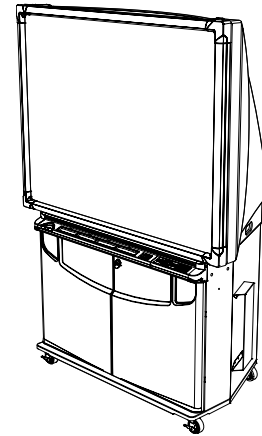


# Rear Projection SMART Board™ Interactive Whiteboard

## Specifications – Model 3000i

### Physical Specifications

<b>Rear Projection SMART Board Interactive Whiteboard</b>	57 3/8" W x 79" H x 29 1/4" D (145.8 cm x 200.7 cm x 74.2 cm)
<b>Active Screen Area</b>	52 3/4" W x 39 5/8" H (134.0 cm x 100.6 cm) (4:3 aspect ratio) 66" diagonal (167.6 cm)
<b>Weight</b>	471 lb. (213.6 kg)
<b>Shipping Weight</b>	658 lb. (298.5 kg)
<b>Shipping Size</b>	62" W x 88" H x 43" D (157.5 cm x 223.5 cm x 109.2 cm)



All dimensions +/- 1/8" (0.3 cm). All weights +/- 2 lb. (0.9 kg).

### Standard Features

<b>Software</b>	SMART Board software and Notebook™ software. Free software upgrades are available at <a href="http://www.smarttech.com/support/software/index.asp">www.smarttech.com/support/software/index.asp</a> .
<b>Cabinet</b>	Secure, fully enclosed cabinet with locking front doors. Easy access to multimedia equipment. Streamlite™ design with tapered shape, metal and plastic composite construction.
<b>Portability</b>	Roll-about, self-contained unit. Easy to move through door openings as small as 80" H x 32" W (203.2 cm x 81.3 cm). 3" (7.6 cm) locking casters.
<b>Wireless Keyboard</b>	U.S. English Windows® operating system with built-in trackball (all regions except Japan). Holder provided on the side of the cabinet.
<b>Front Projector Controls</b>	Built-in projector controls on the front of the cabinet
<b>Audio</b>	The audio system provides a comfortable listening level in rooms up to 1,000 square feet (93 square meters), with a 30-person capacity (subject to room acoustics)
<b>Computer Connection</b>	An integrated serial cable and a USB adapter cable.
<b>Power Consumption</b>	Approximately 700 watts for the projector, audio and controller electronics. This 700 watt estimate does not include the internal computer, guest computer or other optional components such as a VCR or DVD player.
<b>Certifications</b>	CSA (Canada/U.S.)/CE
<b>Warranty</b>	A two-year limited equipment warranty on screen, cabinet and projector and a 500 hour/three month warranty on the projector lamp.

### Interactive Whiteboard Features

<b>SMART Pen Tray</b>	Optical sensors in the pen tray detect when a pen or the eraser is lifted from the tray. Four pens (black, blue, red and green) and an eraser are included.
<b>SMART Super Screen</b>	Diffusion screen with uniform light distribution. Suitable for high ambient lighting.
<b>Digitizing Technology</b>	DViT™ (Digital Vision Touch) technology uses digital cameras to track an object interacting with the display surface

**Integrated Projector**

<b>Display Type</b>	XGA (1024 × 768) NEC VT676 projector with short-throw lens
<b>Display Technology</b>	0.7" × three p-Si TFT LCD panel with MLA
<b>Brightness</b>	2500 ANSI lumens (standard mode). 1900 ANSI lumens (EcoMode).
<b>Lamp Life</b>	2,000 hours at 250 W (standard mode). Up to 3,000 hours at 200 W (EcoMode).
<b>Scanning Rates</b>	H-sync 15 kHz–100 kHz (non-interlaced); V-sync 50 Hz–120 Hz
<b>Video Compatibility</b>	NTSC, NTSC 4.43, PAL, PAL-60, PAL-M, PAL-N, SECAM HDTV: 1080i, 720p, 576p, 480i, 480p
<b>RGB Signal Compatibility</b>	SXGA, XGA, SVGA, VGA, MAC, IBM, VESA, SUN, SGI, HP
<b>Remote Control</b>	Infrared projector remote control with a mouse control, two AA batteries and a cable
<b>Projector Support</b>	Replacement projector shipped within one business day. Upon request, original projector can be repaired and returned usually within five business days. Free projector support is available for two years.

**Integration Features**

<b>SMART X-Port™ 20 Switch</b>	Automatically switches the serial connection to an alternate computer (Windows operating system or Macintosh computer). Comes wired with power, audio, video and serial cables.
<b>LinQ™ Software</b>	Allows anyone to share or control their desktop with the 3000i when connected through a standard or wireless network

<b>Rear Connection Panel</b>	<table border="0" style="width: 100%;"> <tr> <td style="vertical-align: top;"><b>Input Terminals</b></td> <td style="vertical-align: top;"><b>Output Terminals</b></td> </tr> <tr> <td style="vertical-align: top;"> <ul style="list-style-type: none"> <li>- Computer 1 Printer (DB15-M)</li> <li>- Computer 1 Network (RJ45-F Cat 5e compliant)</li> <li>- Computer 2 Serial (DB9-M)</li> <li>- Computer 2 Video (HD15-F)</li> <li>- Computer 2 Audio (3.5 mm-F mini stereo phone)</li> <li>- VCR/DVD Audio Input (dual RCA-F)</li> </ul> </td> <td style="vertical-align: top;"> <ul style="list-style-type: none"> <li>- VCR/DVD Audio Output (dual RCA-M audio input terminals with a short jumper cable)</li> <li>- Selected computer VGA signal output (HD15-M)</li> </ul> </td> </tr> </table>	<b>Input Terminals</b>	<b>Output Terminals</b>	<ul style="list-style-type: none"> <li>- Computer 1 Printer (DB15-M)</li> <li>- Computer 1 Network (RJ45-F Cat 5e compliant)</li> <li>- Computer 2 Serial (DB9-M)</li> <li>- Computer 2 Video (HD15-F)</li> <li>- Computer 2 Audio (3.5 mm-F mini stereo phone)</li> <li>- VCR/DVD Audio Input (dual RCA-F)</li> </ul>	<ul style="list-style-type: none"> <li>- VCR/DVD Audio Output (dual RCA-M audio input terminals with a short jumper cable)</li> <li>- Selected computer VGA signal output (HD15-M)</li> </ul>
<b>Input Terminals</b>	<b>Output Terminals</b>				
<ul style="list-style-type: none"> <li>- Computer 1 Printer (DB15-M)</li> <li>- Computer 1 Network (RJ45-F Cat 5e compliant)</li> <li>- Computer 2 Serial (DB9-M)</li> <li>- Computer 2 Video (HD15-F)</li> <li>- Computer 2 Audio (3.5 mm-F mini stereo phone)</li> <li>- VCR/DVD Audio Input (dual RCA-F)</li> </ul>	<ul style="list-style-type: none"> <li>- VCR/DVD Audio Output (dual RCA-M audio input terminals with a short jumper cable)</li> <li>- Selected computer VGA signal output (HD15-M)</li> </ul>				

**Storage and Operating Specifications (Includes Projector)**

<b>Storage</b>	14°F to 95°F (-10°C to 35°C) with up to 80% humidity non-condensing
<b>Operating</b>	41°F to 84°F (5°C to 29°C) with up to 80% humidity non-condensing

**SMART Board Software 9.5 Computer Requirements**

<b>Windows Computers</b>	<p>Pentium® II 450 MHz processor                  128 MB of RAM (256 MB recommended)                  136 MB of free hard disk space for minimum installation (511 MB for full installation with Gallery collections)                  Windows NT® 4.0 (SP6), Windows 98 operating system or later                  Microsoft® Internet Explorer® 6.0 or later                  Macromedia® Flash® player version 8</p> <p><b>NOTE:</b> The AirLiner™ wireless slate requires the Windows 2000 or Windows XP operating system.</p>
<b>Requirements for SMART Video Player</b>	<p>Pentium II 450 MHz processor (700 MHz or faster recommended)                  Windows 98 operating system or later. Does not run on the Windows NT operating system.                  Microsoft DirectX® technology 8.1 or later</p>

## Specifications – Model 3000i

### Mac Computers

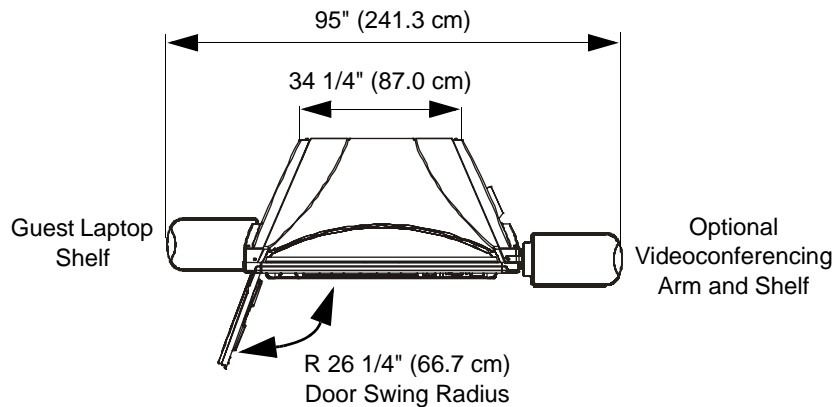
700 MHz processor (1 GHz or faster recommended)  
128 MB of RAM (256 MB recommended)  
Mac OS X versions 10.3.9 and 10.4.x  
148 MB of free hard disk space for minimum installation (423 MB for full installation with Gallery collections)  
Safari 1.3.2™ or later  
SMART Board software version 9.5 supports Intel® processors (Universal Binary)

**NOTE:** Previous versions of SMART Board software are compatible with earlier versions of the Mac OS X operating system. To download a previous version of SMART Board software, go to [www.smarttech.com/support/software/sb\\_mac\\_other.asp](http://www.smarttech.com/support/software/sb_mac_other.asp).

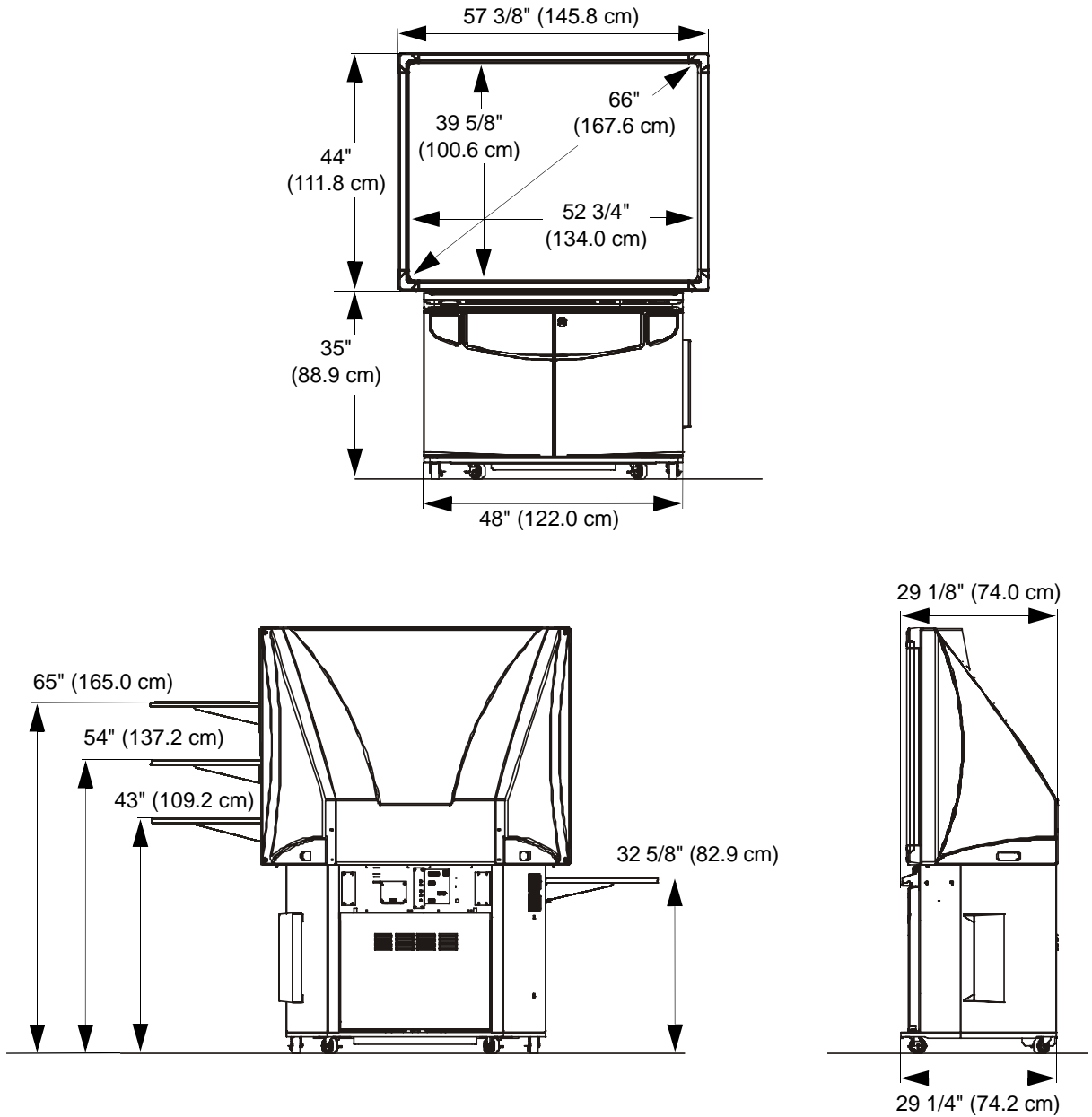
### Linux® Computers

Pentium II 450 MHz processor  
128 MB of RAM (256 MB recommended)  
185 MB of free hard disk space for minimum installation (460 MB for full installation with Gallery collections)  
Linux kernel version 2.6 or later  
X Windows version 11 release 6 (X11R6) or later (must support XRENDER and Xinerama)  
glibc 2.3.3 (gcc 3.4.2)  
libstdc++6  
Gnome 2.8.0+ or KDE® 3.3+ libraries (recommended)  
SUSE® 10, Red Hat® Enterprise Linux 4 WS or Fedora™ Core 3+

## Dimensions



## Specifications – Model 3000i



### Optional Accessories

<b>03-00070</b>	Replacement NEC VT670 projector
<b>03-00092-20</b>	Replacement NEC VT676 projector
<b>01-00161</b>	Replacement projector lamp for the NEC VT670/676 projector (NEC part number VT75LPE)
<b>3000i-VC1</b>	Large Videoconferencing Shelf
<b>3000i-VC2</b>	Small Videoconferencing Shelf
<b>3000i-RCM</b>	Room Control Module
<b>3000i-LTS</b>	Laptop shelf and cable harness kit
<b>3000i-PKGKD</b>	Knockdown shipping configuration 63" W x 60" H x 46" D (160.0 cm x 152.4 cm x 116.8 cm) 631 lb. (286.2 kg)

## Specifications – Model 3000i

<b>STYF-005</b>	Replacement black tip pens (black, blue, red, green)
<b>ERA-003</b>	Replacement rectangular eraser

---

### SMART Order Number

<b>RPSB 3000i-DV</b>	<i>Rear Projection SMART Board 3000i</i> interactive whiteboard. Includes an NEC XGA (1024 × 768) projector with short-throw lens.
----------------------	--

---

#### SMART Technologies Inc.

1207 – 11 Avenue SW, Suite 300

Calgary, AB T3C 0M5

CANADA

Phone +1.403.245.0333

Toll Free 1.888.42.SMART (Canada/U.S.)

info@smarttech.com www.smarttech.com



© 2003–2006 SMART Technologies Inc. All rights reserved. SMART Board, Notebook, Streamlite, DVIT, X-Port, AirLiner and the SMART logo are trademarks of SMART Technologies Inc. NEC is a trademark of NEC corporation. Microsoft, Windows and Windows NT are either registered trademarks or trademarks of Microsoft Corporation in the U.S. and/or other countries. Linux is the registered trademark of Linus Torvalds in the U.S. and other countries. All other third-party product and company names may be trademarks of their respective owners. U.S. Patent Nos. 5,448,263; 6,141,000; 6,326,954; 6,337,681; 6,741,267; 6,747,636; 6,803,906; 6,919,880; 6,947,032; 6,954,197 and 6,972,401. Canadian Patent No. 2,058,219. Other U.S., Canadian and foreign patents pending. Specifications are subject to change without notice. 10/2006.