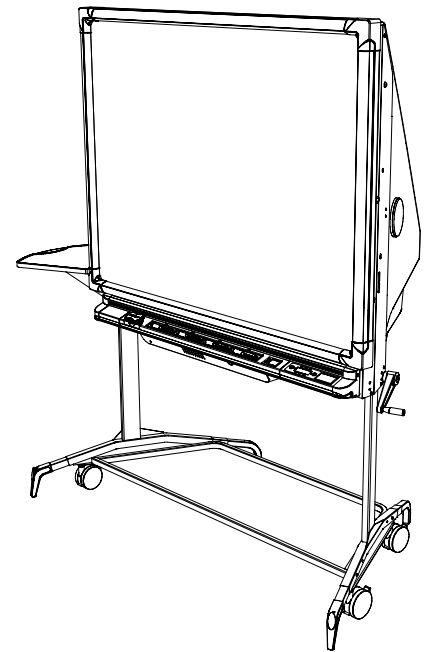


Rear Projection SMART Board™ Interactive Whiteboard

Specifications – Model 2000i-DVX

Physical Specifications

Rear Projection SMART Board 2000i Interactive Whiteboard	57 3/8" W x 29 1/8" D (145.8 cm x 74.0 cm)
Adjustable Height Range (Floor to Top of Unit)	69" (175.3 cm) to 83" (210.8 cm)
Active Screen Area	52 3/4" W x 39 5/8" H (134.0 cm x 100.6 cm) (4:3 aspect ratio) 66" diagonal (167.6 cm)
Stand (Safety Feet Extended)	66 1/2" W x 36 3/4" D (168.9 cm x 93.3 cm)
Storage Tray	53 1/2" W (front) and 36 1/2" W (back) x 18 1/2" D (135.9 cm [front] and 92.7 cm [back] x 47.0 cm)
Clearance above Storage Tray	12 1/4" to 26 1/4" (left side) (31.1 cm to 66.7 cm) 15 5/8" to 29 5/8" (right side) (39.7 cm to 75.2 cm)
Weight	272 lb. (123.4 kg)
Shipping Weight	387 lb. (175.5 kg)
Shipping Size	71" W x 76" H x 40" D (180.3 cm x 193.0 cm x 101.6 cm)



All dimensions +/- 1/8" (0.3 cm). All weights +/- 2 lb. (0.9 kg).

Standard Features

Software	SMART Board software and Notebook™ software. Free software upgrades are available at www.smarttech.com/support/software/index.asp .
Cabinet	Streamlite™ design with a tapered shape. Metal and plastic construction.
Adjustable Height	Adjustable from 69" (175.3 cm) to 83" (210.8 cm) (from floor to top of unit)
Videoconferencing/ Laptop Shelf	14 1/2" W x 17" D (36.8 cm x 43.2 cm) shelf for portable computers or videoconferencing equipment. Mountable on the left side (when viewed from the front) at different preset heights.
Portability	Roll-about, self-contained unit with 4" (10.2 cm) locking casters.
Pen Tray	Optical sensors in the pen tray detect when a pen or the eraser is lifted from the tray. Four pens (black, blue, red and green) and an eraser are included.
SMART Super Screen	Diffusion screen with uniform light distribution
Digitizing Technology	DViT™ (Digital Vision Touch) technology uses digital cameras to track an object interacting with the display surface
Computer Connection	An integrated serial cable and a 2' 6" (76.2 cm) SMART USB adapter are included.
Front Button Controls	Buttons on the front of the cabinet turn the projector on or off, switch the input source and launch Notebook software
Storage Tray	Serves as a platform for the computer and other peripherals
Audio	Stereo amplified speakers with line out
Certifications	CSA (Canada/U.S.)/CE
Warranty	Two-year limited equipment warranty on the screen and cabinet. Two-year limited equipment warranty on the projector and a 500 hour/three month warranty on the projector lamp.

Power Specifications

Power Requirements	Two switching power supplies, 100V–250V AC, 47 Hz–63 Hz, 12V DC 4.2A, 6' (1.8 m) country-specific power cord
Power Consumption	Approximately 400 watts for the projector, audio and controller electronics. This 400 watt estimate does not include the internal computer, guest computer or other optional components such as a VCR or DVD player.

Integrated Projector

Display Type	XGA (1024 × 768) NEC VT676 projector with short-throw lens
Display Technology	0.7" × three p-Si TFT LCD panel with MLA
Brightness	2500 ANSI lumens (standard mode). 1900 ANSI lumens (EcoMode).
Lamp Life	2,000 hours at 250 W (standard mode). Up to 3,000 hours at 200 W (EcoMode).
Scanning Rates	H-sync 15 kHz–100 kHz (non-interlaced); V-sync 50 Hz–120 Hz
Video Compatibility	NTSC, NTSC 4.43, PAL, PAL-60, PAL-M, PAL-N, SECAM HDTV: 1080i, 720p, 576p, 480i, 480p
RGB Signal Compatibility	SXGA, XGA, SVGA, VGA, MAC, IBM, VESA, SUN, SGI, HP
Remote Control	Infrared projector remote control with a mouse control, two AA batteries and a cable
Projector Support	Replacement projector shipped within one business day. Upon request, original projector can be repaired and returned usually within five business days. Free projector support is available for two years.

Integration Features

Input Terminals	Video: S-video via mini-DIN4 connector (on the projector) Video: Composite video via RCA connector (on the projector) Audio: Two RCA connectors
Output Terminals	RGB: HD DB15 (F) (on the projector) Audio: Two RCA (F) line level output
Laptop Inputs	RGB: HD DB15 (M) connector Serial: DB9 (F) connector

Storage and Operating Specifications (Includes Projector)

Storage	14°F to 95°F (-10°C to 35°C) with up to 80% humidity non-condensing
Operating	41°F to 84°F (5°C to 29°C) with up to 80% humidity non-condensing

SMART Board Software 9.5 Computer Requirements

Windows® Computers	Pentium® II 450 MHz processor 128 MB of RAM (256 MB recommended) 136 MB of free hard disk space for minimum installation (511 MB for full installation with Gallery collections) Windows NT® 4.0 (SP6), Windows 98 operating system or later Microsoft® Internet Explorer® 6.0 or later Macromedia® Flash® player version 8 NOTE: The AirLiner™ wireless slate requires the Windows 2000 or Windows XP operating system.
---------------------------	---

Specifications – Model 2000i-DVX

Requirements for SMART Video Player

Pentium II 450 MHz processor (700 MHz or faster recommended)
Windows 98 operating system or later. Does not run on the Windows NT operating system.
Microsoft DirectX® technology 8.1 or later

Mac Computers

700 MHz processor (1 GHz or faster recommended)
128 MB of RAM (256 MB recommended)
Mac OS X versions 10.3.9 and 10.4.x
148 MB of free hard disk space for minimum installation (423 MB for full installation with Gallery collections)
Safari™ 1.3.2 or later
SMART Board software version 9.5 supports Intel® processors (Universal Binary)

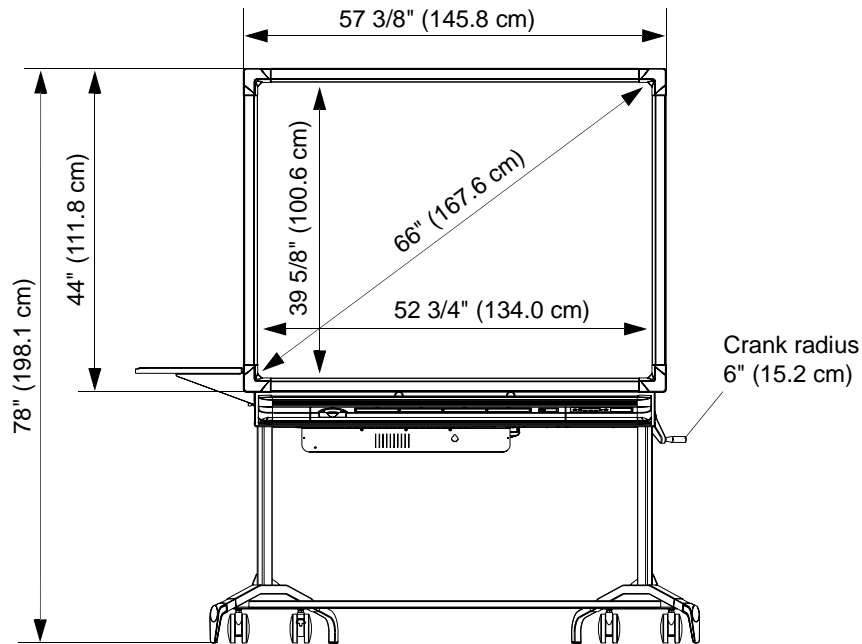
NOTE: Previous versions of SMART Board software are compatible with earlier versions of the Mac OS X operating system. To download a previous version of SMART Board software, go to www.smarttech.com/support/software/sb_mac_other.asp.

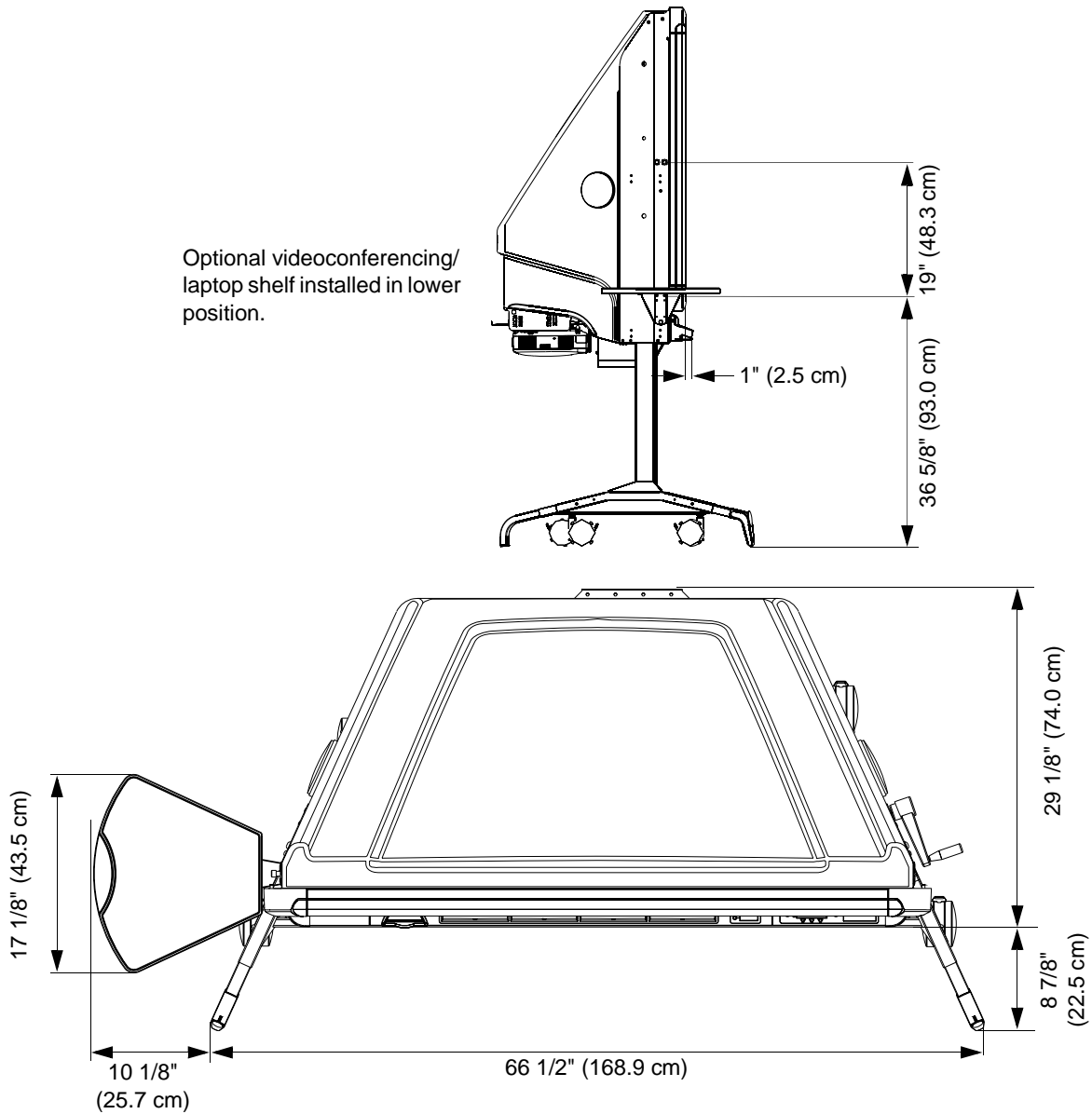
Linux® Computers

Pentium II 450 MHz processor
128 MB of RAM (256 MB recommended)
185 MB of free hard disk space for minimum installation (460 MB for full installation with Gallery collections)
Linux kernel version 2.6 or later
X Windows version 11 release 6 (X11R6) or later (must support XRENDER and Xinerama)
glibc 2.3.3 (gcc 3.4.2)
libstdc++6
Gnome 2.8.0+ or KDE® 3.3+ libraries (recommended)
SUSE® 10, Red Hat® Enterprise Linux 4 WS or Fedora™ Core 3+

Dimensions

Adjustable height from 69" (175.3 cm) to 83" (210.8 cm). Diagrams show the cabinet at 78" (198.1 cm) with the safety feet extended.





Optional Accessories

03-00070	Replacement NEC VT670 projector
03-00092-20	Replacement NEC VT676 projector
01-00161	Replacement projector lamp for the NEC VT670/676 projector (NEC part number VT75LPE)
2000i-RCM	Room Control Module for connecting the 2000i-DVX to a third-party room control system
2000i -VC1	Additional videoconferencing/laptop shelf
USB-ADP	SMART USB-A to DB9 (F) adapter (converts USB to serial)
XP20-2000i-C	X-Port™ 20 Serial/Video Switching Kit (switches the video and serial connections to a guest laptop)
STYF-005	Replacement black tip pens (black, blue, red, green)
ERA-003	Replacement rectangular eraser

SMART Order Number

RPSB-2000i-DVX

Rear Projection SMART Board 2000i-DVX interactive whiteboard. Includes an NEC XGA (1024 x 768) projector with short-throw lens.

SMART Technologies Inc.

1207 – 11 Avenue SW, Suite 300

Calgary, AB T3C 0M5

CANADA

Phone +1.403.245.0333

Toll Free 1.888.42.SMART (Canada/U.S.)

info@smarttech.com www.smarttech.com

