

# Using the SMART USB Adapter

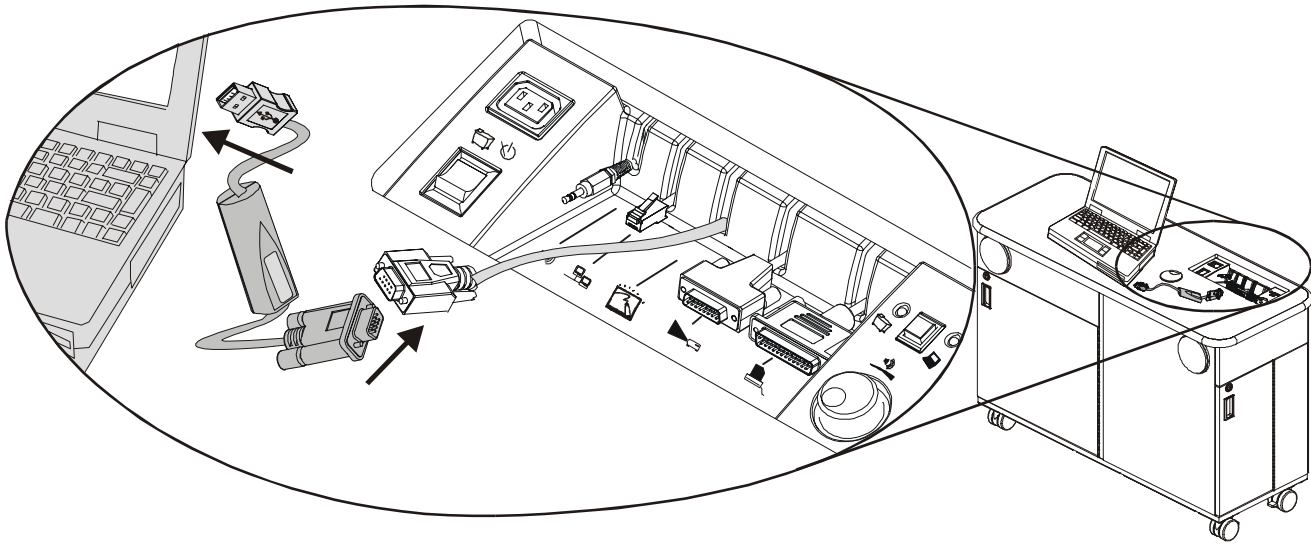
This kit contains:

- a 2½' (76.2 cm) SMART USB Adapter (USB-ADP)

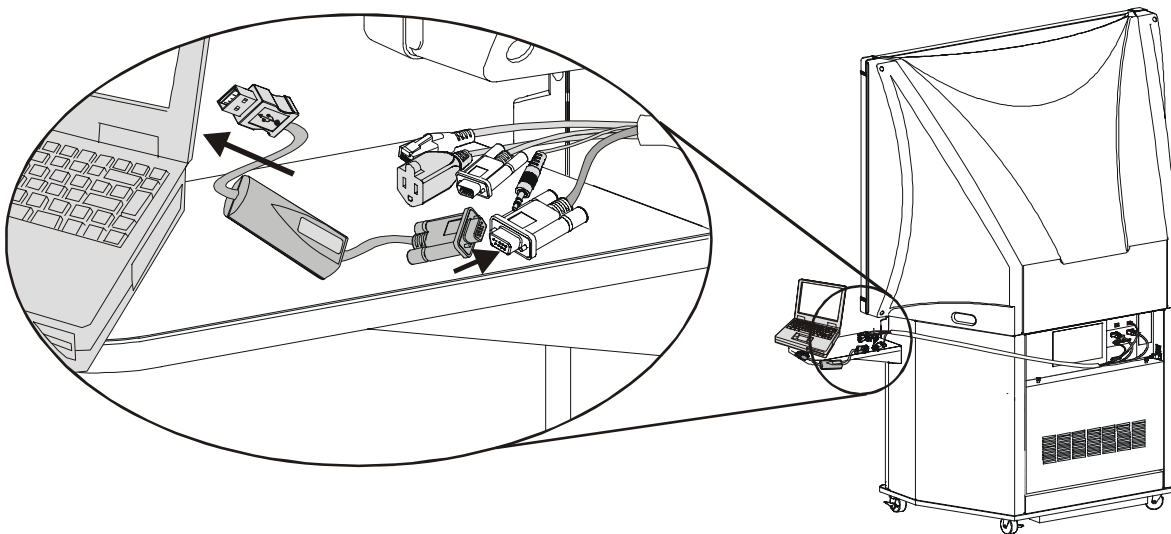
Use the SMART USB adapter to connect a USB-equipped laptop or an internal computer to a SMART Expression™ cabinet, *Rear Projection SMART Board™*, *LightRaise™* or *Symposium™* unit.

## Connecting a Guest Laptop with the SMART USB Adapter

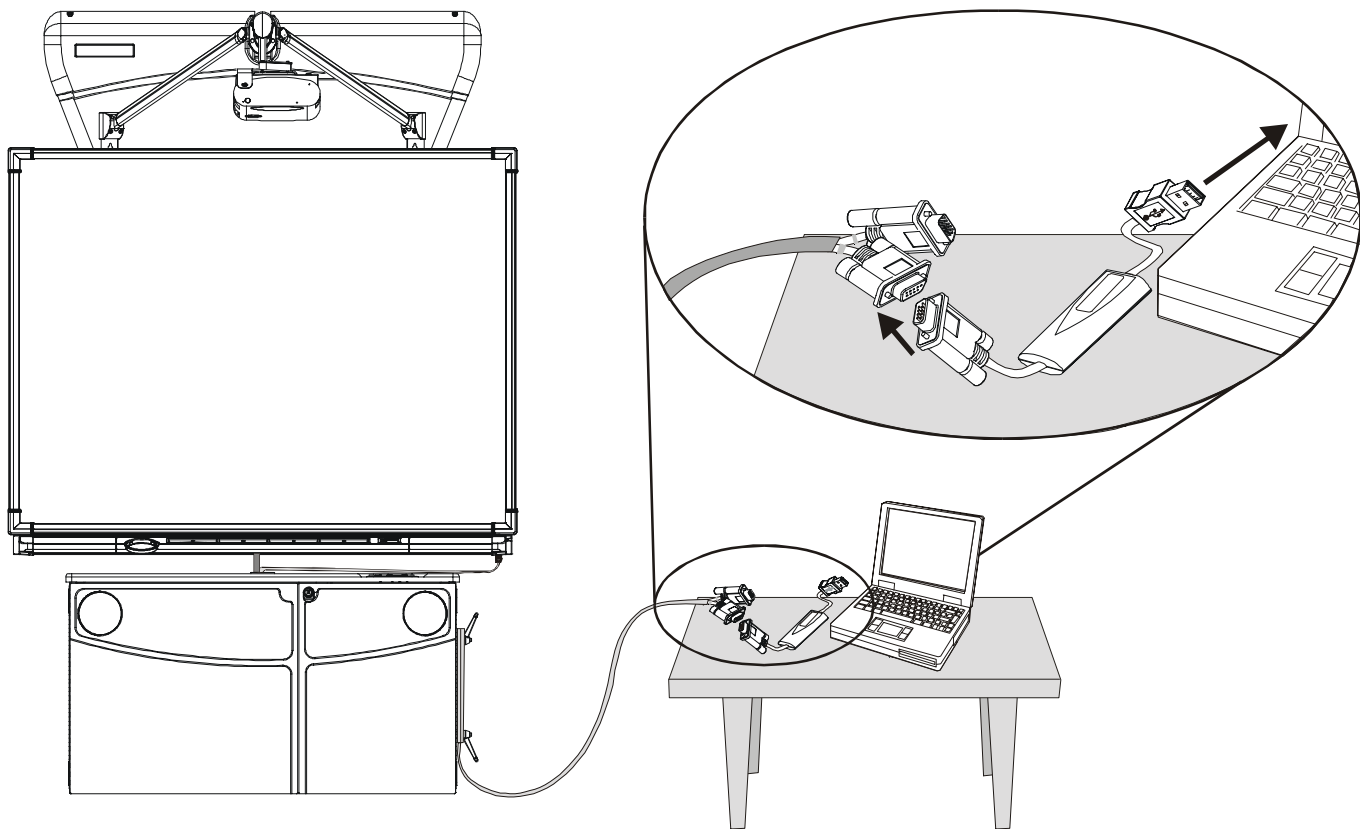
Use the SMART USB adapter to make a connection between the SMART equipment and your laptop computer.



**Connecting the SMART USB Adapter to an Expression Cabinet**



**Connecting the SMART USB Adapter to a Rear Projection SMART Board Unit**



**Connecting the SMART USB Adapter to a LightRaise Unit**

### To connect your laptop computer:

- 1 Locate the RS-232 serial cable for the guest laptop computer. Expression cabinets have a retractable RS-232 serial cable on the Control Panel. However, the RS-232 cable on *Rear Projection* SMART Board units or LightRaise projector mounts is housed with the umbilical cables that extend from the unit.

**NOTE:** If you're using a Sympodium IM-150 unit, your integration may include a serial extension cable. If it doesn't, follow the instruction on page 4 to connect the cable directly to the SMART X-Port™ unit.

- 2 Connect the DB9M end of the adapter to the female connector of the unit's RS-232 serial cable.
- 3 Connect the USB end of the SMART USB Adapter to an available USB port on the computer.

### Checking Your Connection

Ensure the display source is your laptop computer. If you haven't yet installed SMART Board™ software on your computer, install it after connecting the adapter. Follow the instructions in the *Installation* or *Integrator's Guide* for your equipment.

You'll know your USB connection is working if you can control your SMART product with your finger or, for the Sympodium unit, with the tethered stylus. For a visual indication of a working connection, check for a green light on the Pen Tray of your SMART Board 500 series interactive whiteboard or a green communications indicator on the screen of your Sympodium interactive lectern. To check the status of the port, start the SMART Board tools and access the *SMART Board Control Panel* dialog box.

## Troubleshooting

Make sure you have an operating system that supports a USB Human Interface Device (HID). The following versions of Microsoft® Windows® operating systems support USB HID: 98, 2000, ME and XP. Windows 95 and Windows NT® 4.0 operating systems do not. Power Mac computers with a USB port running OS 9.x support USB format. The USB adapter will not work with Macintosh 68K CPU hardware.

If your computer uses the Windows operating system, you may need to install the USB HID driver and enable USB support. You may find it easier to install this driver before you connect the SMART USB adapter. However, when you connect the adapter, the Windows operating system will prompt you to install the USB HID driver if it's not already on your system.

The USB HID driver is a separate driver provided with the Windows operating system. Don't confuse it with the SMART Board driver.

### To install a USB HID driver:

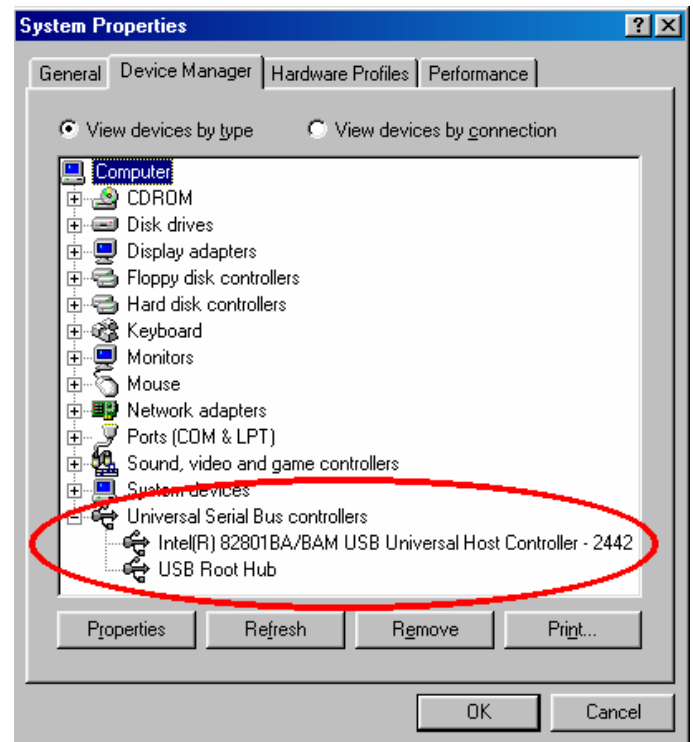
If a USB HID driver isn't already installed, your Windows operating system will prompt you for one as soon as you connect the USB adapter. When the *Found New Hardware* wizard appears, search for the driver on your hard drive. If the search is unsuccessful, insert your Windows 98/2000/ME/XP CD-ROM into your CD-ROM drive to locate the appropriate USB HID drive.

### To enable USB support for computers running the Windows operating system:

If you're using the Windows 98, 2000, ME or XP operating system and your USB adapter cable isn't detected as new hardware, you may need to enable USB support on your computer.

To find out if this is necessary, hold the Alt key on your keyboard while double-clicking the My Computer icon on your desktop. Select the Device Manager tab in the *System Properties* dialog box. If an entry for **Universal Serial Bus controllers** is listed, then USB support has already been enabled.

If there is no listing for **Universal Serial Bus controllers** in the Device Manager tab, USB support may not be enabled in your computer's BIOS (Basic Input Output System). Refer to your computer manual or contact the computer manufacturer for instructions on enabling USB in the BIOS.



### To activate the USB device extension for Macintosh computers:

If the SMART equipment isn't immediately functional after you connect the SMART USB adapter to a Macintosh computer, it's possible that the USB Device Extension isn't active. To remedy this, open the **Apple** menu, select **Control Panels**, and then select **Extensions Manager**. Scroll through the list until you find USB Device Extension. Click to remove the X in the **On/Off** box, and then click the Restart button. You may have to download the appropriate extension from Apple if the required extension isn't on your computer.

## Connecting the SMART USB Adapter to an Internal Computer

**NOTE:** Some SMART equipment, such as Expression cabinets, *Rear Projection* SMART Board and LightRaise units, have a serial cable connected to the X-Port unit that you can use with the adapter. If you're not sure which cable is connected to the X-Port unit's serial port, read your product's *Installation or Integrator's Guide* for computer connection information.

### To connect the SMART USB adapter to the serial cable attached to the X-Port unit:

- 1 Connect the DB9F end of the adapter to the RS-232 serial cable that comes from the SMART unit.
- 2 Connect the USB end of the SMART USB Adapter to an available USB port on the computer.

### To connect the SMART USB adapter directly to the X-Port unit:

- 1 Connect the serial end of the SMART USB adapter to the serial port on the X-Port unit that corresponds to your computer.

**NOTE:** The label on this port varies, depending on your X-Port unit. For the Symposium IM-150 interactive lectern, this port is labeled with a number and this symbol:



- 2 Connect the USB end of the SMART USB adapter to an available USB port on your computer.

## A Final Note about the SMART USB Adapter

The SMART USB adapter converts information sent between serial and Universal Serial Bus (USB) formats. This adapter has a male DB9 serial connector at the RS-232 serial end and a male USB "A" connector at the USB end. Between these two ends lies adapter circuitry encased in plastic.

Use the SMART USB adapter in SMART equipment that uses a SMART X-Port unit to switch display sources. This equipment includes Expression cabinets, *Rear Projection* SMART Board, LightRaise and Symposium units. You can use the adapter with either the guest laptop or the internal computer.

Even though the SMART USB adapter is powered through the USB connector, power is not relayed down the RS-232 cable. Because of this, you can't connect this adapter directly between a SMART Board interactive whiteboard and a computer. If you need to connect to a SMART Board interactive whiteboard, use the 21½' (6.6 m) SMART USB adapter (USB-FRU), which comes with a female DB9 serial connector.

---

#### SMART Technologies Inc.

Suite 300, 1207 – 11th Avenue SW, Calgary, AB CANADA T3C 0M5  
Main Switchboard: 1.888.42.SMART (Canada/U.S.) or +1.403.245.0333 (all other countries)  
Support Tel: 1.866.518.6791 (Canada/U.S.) or +1.403.228.5940 (all other countries)  
Support Fax: +1.403.806.1256  
support@smarttech.com www.smarttech.com

**SMART**  
Technologies Inc.

*Bringing people and ideas together.™*

© 2002-2004 SMART Technologies Inc. All rights reserved. Expression, *Rear Projection* SMART Board, LightRaise, Symposium, X-Port, SMART Board and "Bringing people and ideas together." are trademarks of SMART Technologies Inc. Microsoft, Windows and Windows NT are either registered trademarks or trademarks of Microsoft Corporation in the U.S. and/or other countries. Macintosh, Apple and Power Mac are trademarks of Apple Computer, Inc. registered in the U.S. and other countries. All other third-party product and company names are mentioned for identification purposes only and may be trademarks of their respective owners. Printed in Canada 12/2004.

99-00373-00 Rev B0