

Rear Projection SMART Board™ Interactive Whiteboard

Specifications – Model 2000i

Physical Specifications

Size	Height Range (Floor to Top of Unit) Adjustable from 69" (175.3 cm) to 83" (210.8 cm)
	Cabinet Depth 29 1/8" (74.0 cm)
	Width 66 7/16" (168.8 cm)
	Depth 38 1/16" D (96.6 cm) with safety feet extended
	35 1/2" D (90.2 cm) with safety feet retracted
	Active Screen Area 52 13/16" W x 39 9/16" H (134.2 cm x 100.5 cm)
	(4:3 aspect ratio)
	66" diagonal (167.6 cm)
	Storage Tray 53 1/2" W (135.9 cm) (front) and 36 1/2" W (92.7 cm) (back) x 18 1/2" D (47 cm)
	Clearance above Storage Tray 12 3/16" (31.0 cm) to 26 3/16" (66.6 cm) (left hand side)
	15 9/16" (39.6 cm) to 29 9/16" (75.1 cm) (right hand side)
Weight	282 lb. (127.8 kg)
Shipping Weight	397 lb. (180.1 kg)
Shipping Size	70" W x 75" H x 40" D (177.8 cm x 190.5 cm x 101.6 cm)

All dimensions +/- 1/8" (3.2 mm). All weights +/- 2 lb. (0.9 kg).

Standard Features

Software	SMART Board software version 8.1.1 and Notebook™ software version 8.1.1
Cabinet	Streamlite™ design with tapered shape, metal and plastic construction
Height Adjustable	Adjustable from 69" H (175.3 cm) to 83" H (210.8 cm)
Videoconferencing/ Laptop Shelf	14 1/2" W x 17" D (36.8 cm x 43.3 cm) shelf for portable computers or videoconferencing equipment.
Portability	Mountable on either side of the cabinet.
Pen Tray	Roll-about, self-contained unit. 4" (10.2 cm) locking casters.
SMART Super Screen	Optical sensors in the pen tray detect when a pen or the eraser is lifted from the tray. Four Whisper-tip™ styluses are included (black, blue, red and green), along with a round eraser.
Digitizing Technology	Diffusion screen with uniform light distribution. Suitable for high ambient lighting.
Computer Connection	DViT™ technology uses digital cameras to track an object interacting with the display surface
Front Projector Controls	An integrated serial cable and a 2.5' (76 cm) SMART USB adapter are included
Storage Tray	Built-in projector controls on front of cabinet
Audio	Serves as a platform for the computer and other peripherals
Manuals Included	Stereo amplified speakers (total of 30 W)
Warranty	<i>Rear Projection SMART Board 2000i Installation Guide</i> and <i>NEC® MT1065/MT1060/MT860 User's Manual</i>
	One-year limited equipment warranty on the screen and cabinet. Two-year limited equipment warranty on the projector. 1000 hour/six-month warranty on the projector lamp.

Power Specifications

Power Requirements	Two switching power supplies, 100–250V AC, 47–63 Hz, 12V DC 4.2A, 72" (182.9 cm) country-specific power cord
Power Consumption	Approximately 700 watts for the projector, audio and controller electronics. This 700-watt estimate does not include the shelf computer, guest computer and other optional components such as a VCR or DVD player.

Integrated Projector

Display Type	SVGA (800 x 600) NEC MT860 projector with short-throw lens and extended-life lamp
Display Technology	0.99" (2.5 cm) x three polysilicon LCD panels
Brightness	1600 ANSI lumens
Contrast Ratio	800:1
Lamp	Extended-life 160 W projector lamp (4000 lamp hours at 1600 ANSI lumens)
Scanning Rates	H-sync 15–100 kHz; V-sync 50–120 Hz
Video Compatibility	NTSC, NTSC 4.43, PAL, PAL-60, PAL-M, PAL-N, SECAM
RGB Signal Compatibility	HDTV: 1080i, 1080i 50 Hz, 720p, 576p
Remote Control	SXGA, XGA, SVGA, VGA, MAC, IBM, VESA, SUN, SGI, HP
Projector Support	Infrared projector remote control with a mouse control, two AA batteries and a cable
	Replacement projector shipped within one business day. Upon request, original projector repaired and returned within five business days. Available free of charge for two years.

Integration Features

Input Terminals	Video: S-video via mini-DIN4 connector (on the projector)
	Video: Composite video via RCA connector (on the projector)
	Audio: RCA x 2
Output Terminals	Audio: stereo 3.5 mm mini jack
	RGB: HD DB15F (on the projector)

Specifications – Model 2000i

Computer Requirements

Windows Operating Systems	Pentium® 150 MHz processor (Pentium II processor or later recommended) 48 MB of RAM (128 MB recommended) Windows NT® 4.0 (SP-6), Windows 98 operating system or later 100 MB of free hard disk space for complete installation Available USB or serial port
Macintosh Computers	350 MHz processor 128 MB of RAM Mac OS X operating system software version 10.1 or later 25 MB of free hard disk space for complete installation Available USB port NOTE: Other versions of SMART Board software are available for UNIX® and Linux® systems, as well as for earlier Windows and Macintosh operating systems.

Storage and Operating Specifications (Includes Projector)

Storage	14° F to 95° F (-10° C to 35° C) with up to 80% humidity non-condensing
Operating	41° F to 84° F (5° C to 29° C) with up to 80% humidity non-condensing

Optional Accessories

03-00041	Replacement 2000i-DV projector (NEC MT860 with short-throw lens and accessories)*
03-00043	Replacement 2000i-DVX projector (NEC MT1060 with short-throw lens and accessories)*
01-00129	Extended-life projector lamp (4000 lamp hours at 1600 ANSI lumens) for NEC MT860/MT1060 projector (NEC part No. MT60LPS).
2000i-RCM	Room Control Module for connection to third-party room control systems
XP20-2000i	X-Port™ 20 unit switches the audio, video and serial connections to an alternate computer (Windows operating system or Macintosh computer) Laptop Inputs: RGB: HD DB15M connector Audio input via 3.5 mm stereo plug Serial DB9F or optional USB-ADP
STYF-00009	Black Tip styluses *NOTE: these two replacement projectors do not include mounting plates.

SMART Order Number

RPSB 2000i-DV	<i>Rear Projection</i> SMART Board interactive whiteboard. Includes an NEC MT860 (800 x 600) SVGA projector with short-throw lens.
RPSB 2000i-DVX	<i>Rear Projection</i> SMART Board interactive whiteboard. Includes an NEC MT1060 (1024 x 768) XGA projector with short-throw lens.

SMART Technologies Inc.

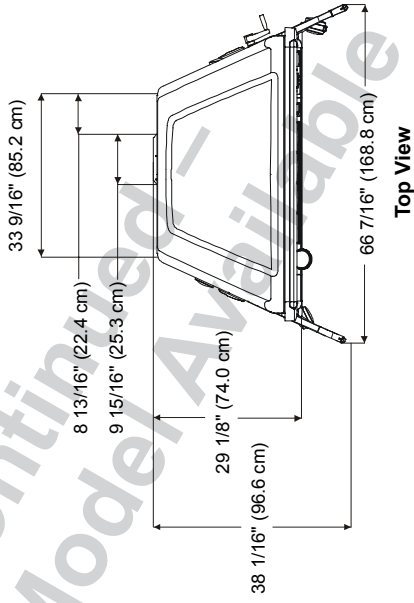
Suite 600, 1177 – 11th Avenue SW
Calgary, AB CANADA T2R 1K9
Main Switchboard: 1.888.42.SMART (Canada/U.S.) or +1.403.245.0333 (all other countries)
Support Tel: 1.866.518.6791 (Canada/U.S.) or +1.403.228.5940 (all other countries)
Support Fax: +1.403.806.1256
support@smarttech.com www.smarttech.com



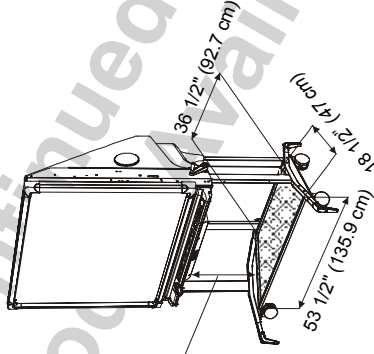
Rear Projection SMART Board™ Interactive Whiteboard

Specifications – Model 2000i

Height shown at 78" (198.1 cm), though it's adjustable from 69" (175.3 cm) to 83" (210.8 cm). All views show the safety tip feet extended.

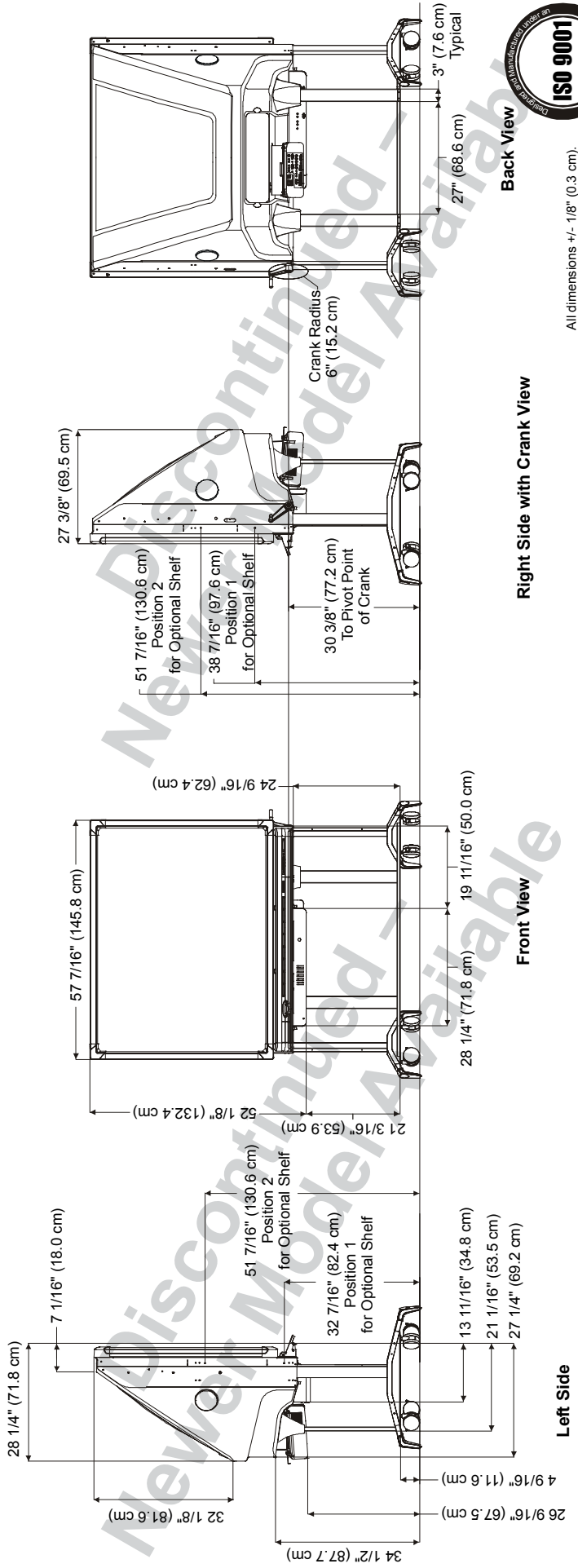


Top View



Storage Tray View

Clearance Above Storage Tray:
 Left Side – 12 3/16" (31.0 cm)
 to 26 3/16" (66.6 cm)
 Right Side – 15 9/16" (39.6 cm)
 to 29 9/16" (75.1 cm)



Left Side

Front View

Right Side with Crank View

Back View

All dimensions +/- 1/8" (0.3 cm).