

Rear Projection SMART Board™ 720

Interactive Whiteboard Specifications

Physical Specifications

Size	Rear Projection SMART Board 720 with SMART Pen Tray™ and Mirror Extensions	61 3/8" W x 81 1/4" H x 61 3/4" D (155.9 cm x 206.4 cm x 156.8 cm)
	Active Screen Area	57 5/8" W x 43 1/4" H (146.4 cm x 109.9 cm) 72" (182.9 cm) diagonal
Weight	Rear Projection SMART Board 720 with Pen Tray	590 lbs (268 kg)
Shipping Weight	Cardboard Crate	800 lbs (364 kg)
Shipping Size	Cardboard Crate	68 3/8" W x 87 1/2" H x 37 7/8" D (173.7 cm x 222.3 cm x 96.2 cm)

All dimensions +/- 1/8" (0.3 cm). All weights +/- 1/2 lb (0.2 kg).

Standard Features

SMART Pen Tray	Optical sensors in the Pen Tray detect when a pen or the eraser is lifted from the Tray, providing the user with a natural whiteboard interface
Wireless Keyboard	Keyboard (Windows®) with built-in trackball (North America, UK and Australia)
Resolution	Touch resolution approximately 2000 x 2000 Supports all projector resolutions up to 1600 x 1200
SMART Super Screen	Diffusion screen with 0.8 peak gain and 50° horizontal 1/2 gain angle Bright image with uniform light distribution Suitable for high ambient lighting, specifically meeting rooms or videoconferencing rooms
Screen Surface Material	Low-reflection (matte) finish reduces glare from overhead lights Extremely durable
Digitizing Technology	Two resistive sheets separated by an air gap
Cabinet	Hinged metal doors; easy access to multimedia equipment (computer and projector) Two speaker grills (speakers not included) Primary construction is heavy gauge sheet metal Black polyester powder paint with textured finish is extremely durable
Portability	Roll-about, self-contained unit 3 1/2" locking casters
Projector Requirements	Requires an LCD, CRT or DLP projector (not included) 600 to 1000+ ANSI lumens projector is recommended (minimum 450 lumens suggested) Configuration kits are available for a variety of projection systems (contact SMART for list of supported projectors)
Computer Connection	Standard serial connection to computer; 9 and 25 pin connectors included for Windows or mini DIN-8 pin connector included for Macintosh®
Power Requirements	120V, 60 Hz power transformer, 12V DC 0.6A, 180" (457 cm) cable (other voltage power supplies available)
Warranty	One year parts and labor warranty

Pen Tray Tools Specifications

Styluses	Included	Black, blue, red and green
Eraser	Included	Standard dry erase eraser

Computer Requirements

Windows	Windows 95 or Windows NT® 4.0 486DX 66MHz or higher PC or compatible (Pentium recommended) with a minimum of 8 MB RAM required (16 MB RAM recommended) 8 MB free hard disk space required for complete installation
Macintosh	System 7® or higher 68030 or later processor or Power Macintosh® with a minimum of 4 MB RAM required (8 MB RAM recommended) 4 MB free hard disk space required for complete installation

Software

Windows 95 or NT 4.0	SMART Board driver 5.3 and SMART Notebook™ 2.0 included with SMART Boards ordered for Windows 95 or NT 4.0 SMART Meeting Pro™ 1.0 sold separately
Windows 3.1 or NT 3.51	SMART Board driver 5.2 and SMART Notebook 1.1a included with SMART Boards ordered for Windows 3.1 or NT 3.51
Macintosh	SMART Board driver 5.2 for Macintosh and SMART Notebook 1.1 for Macintosh included with Rear Projection SMART Boards ordered for Macintosh systems

SMART Technologies Inc.

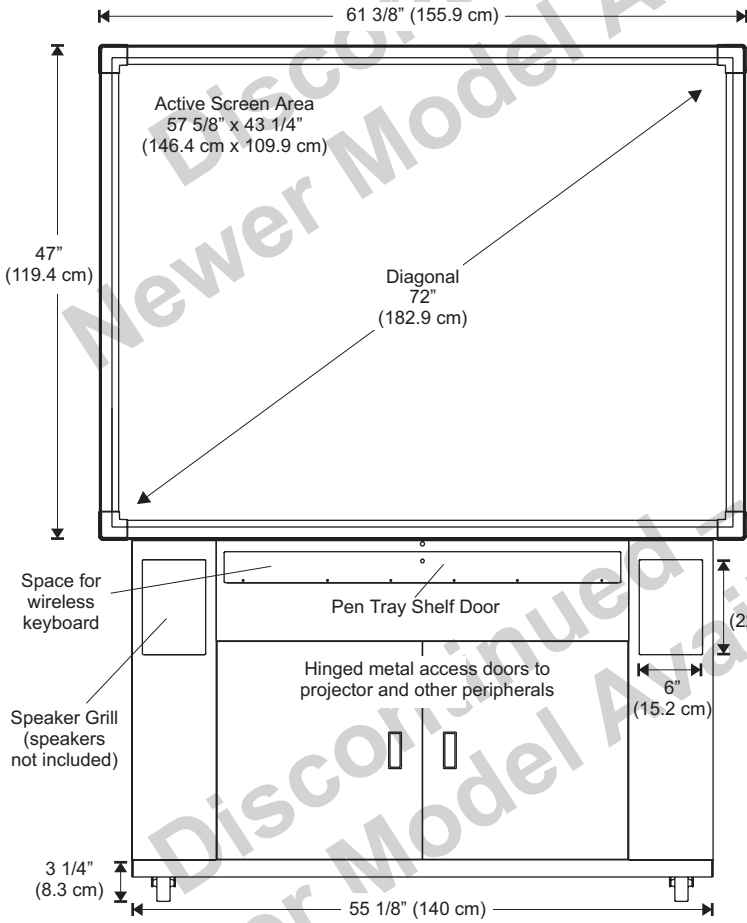
Suite 600, 1177-11th Avenue SW
Calgary, AB CANADA T2R 1K9
Tel. 403.245.0333 Fax 403.245.0366
e-mail: info@smarttech.com www.smarttech.com

SMART
Technologies Inc.

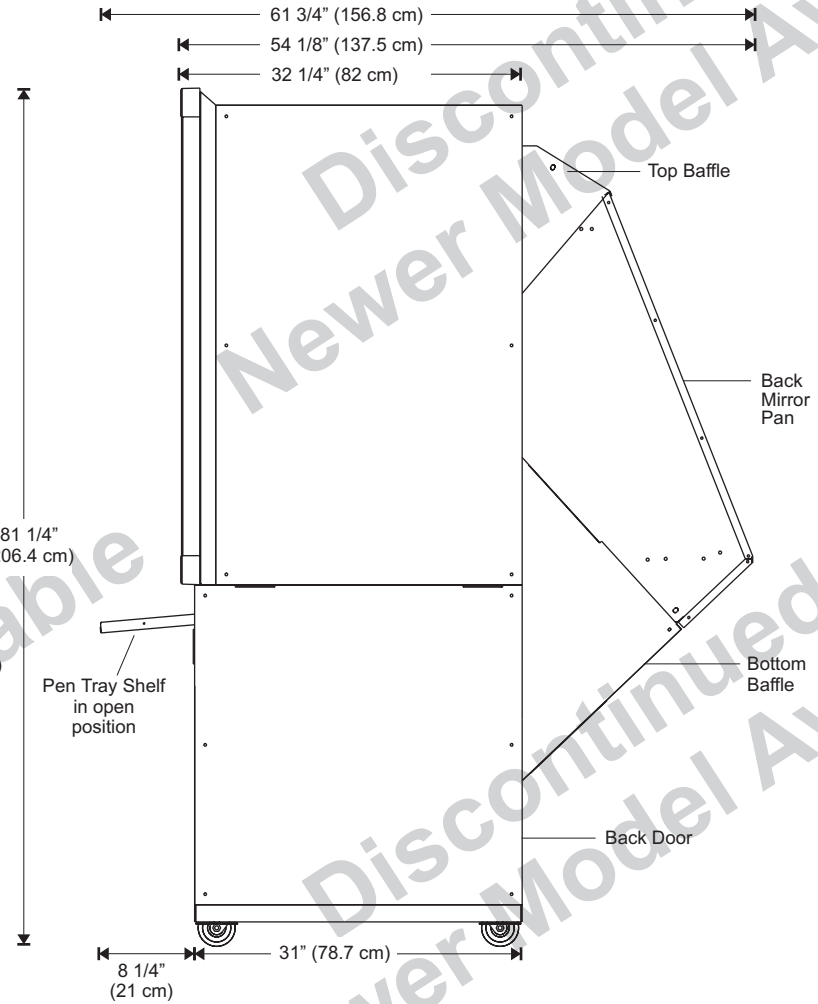
Bringing people and ideas together.™

Rear Projection SMART Board 720

Front View



Side View



Side View (Transport Position)

